



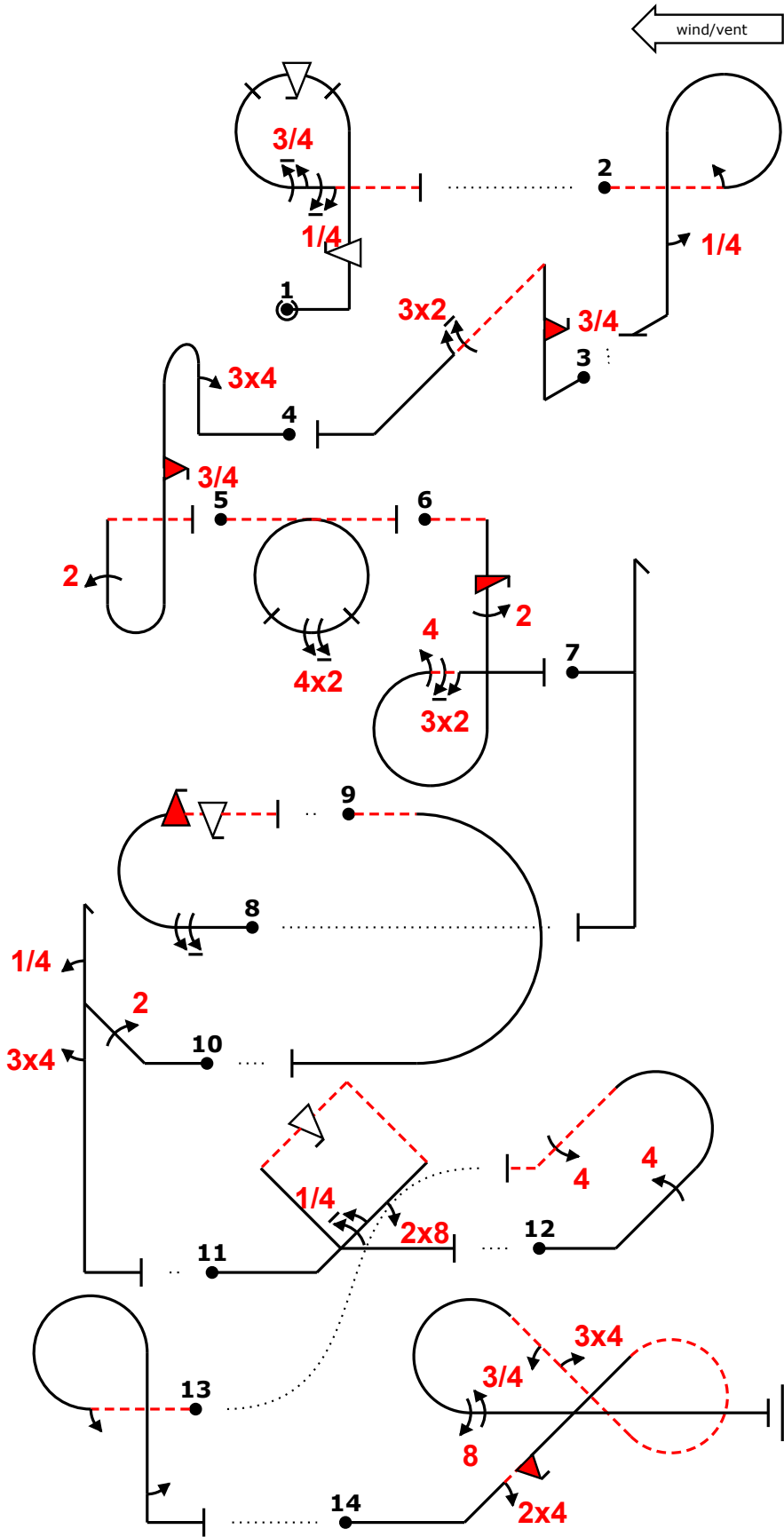
| | | |
|----------|---------------------------|----------|
| CIVA | | Form A |
| Pilot ID | CIVA Unlimited Programme3 | Flight # |

| No | Symbol | Cat. No. | K | Total K | Grade | Pos | Remarks | Item | K | Grade |
|----|--------|--|-------------------------------------|------------------------|-------|-----|---------|------------------------|-----|----------------|
| 1 | | 8.6.2.1 9.9.1.4 9.9.3.4 9.1.3.7 9.1.3.5 | 12 15 11 11 9 | Fig D 58 | . | | | Pos. | 40 | |
| 2 | | 8.6.7.2 9.1.3.2 9.1.5.1 | 12 4 2 | additional 6 | . | | | Harm. | 0 | |
| 3 | | 1.2.7.1 9.10.6.3 9.2.4.6 | 13 19 12 | Fig F 44 | . | | | Fig K | 512 | Total K 552 |
| 4 | | 8.8.1.1 9.4.1.3 9.10.10.3 9.2.1.4 | 18 12 15 13 | Fig G 58 | . | | | Penalties | | |
| 5 | | 7.4.1.4 9.2.3.8 | 11 15 | Fig C 26 | . | | | Too Low | | |
| 6 | | 8.6.2.4 9.12.1.4 9.2.5.4 9.4.3.4 9.2.3.6 | 12 7 9 11 12 | Fig J 51 | . | | | Too High | | |
| 7 | | 5.2.1.1 | 17 | additional 6 | . | | | Interruptions | | |
| 8 | | 7.2.1.1 9.1.3.8 9.10.8.4 9.9.8.4 | 6 12 15 13 | Fig B 46 | . | | | Insertions | | |
| 9 | | 7.2.1.4 | 6 | additional 6 | . | | | Trg Violation | | |
| 10 | | 5.3.1.1 9.2.2.4 9.1.1.1 9.4.5.3 | 18 11 6 8 | Fig I 43 | . | | | Wing Rocks | | |
| 11 | | 7.4.5.1 9.1.2.5 9.8.2.1 9.9.9.4 | 15 11 5 13 | Fig A 44 | . | | | Disqual Fig | | |
| 12 | | 8.4.13.1 9.4.2.4 9.4.4.4 | 11 13 11 | Fig H 35 | . | | | Other(note...) | | |
| 13 | | 8.6.7.2 9.1.3.2 9.1.5.2 | 12 4 4 | additional 6 | . | | | Final Freestyle | | |
| 14 | | 7.8.5.1 9.4.2.2 9.10.2.2 9.4.2.3 9.1.2.3 9.8.3.4 9.1.3.4 | 20 7 15 10 8 15 8 | Fig E 83 | . | | | Duration | Min | Sec |

Prog B Pilot
 A/C



| | | |
|----------|---------------------------|----------|
| | | Form B |
| Pilot ID | CIVA Unlimited Programme3 | Flight # |

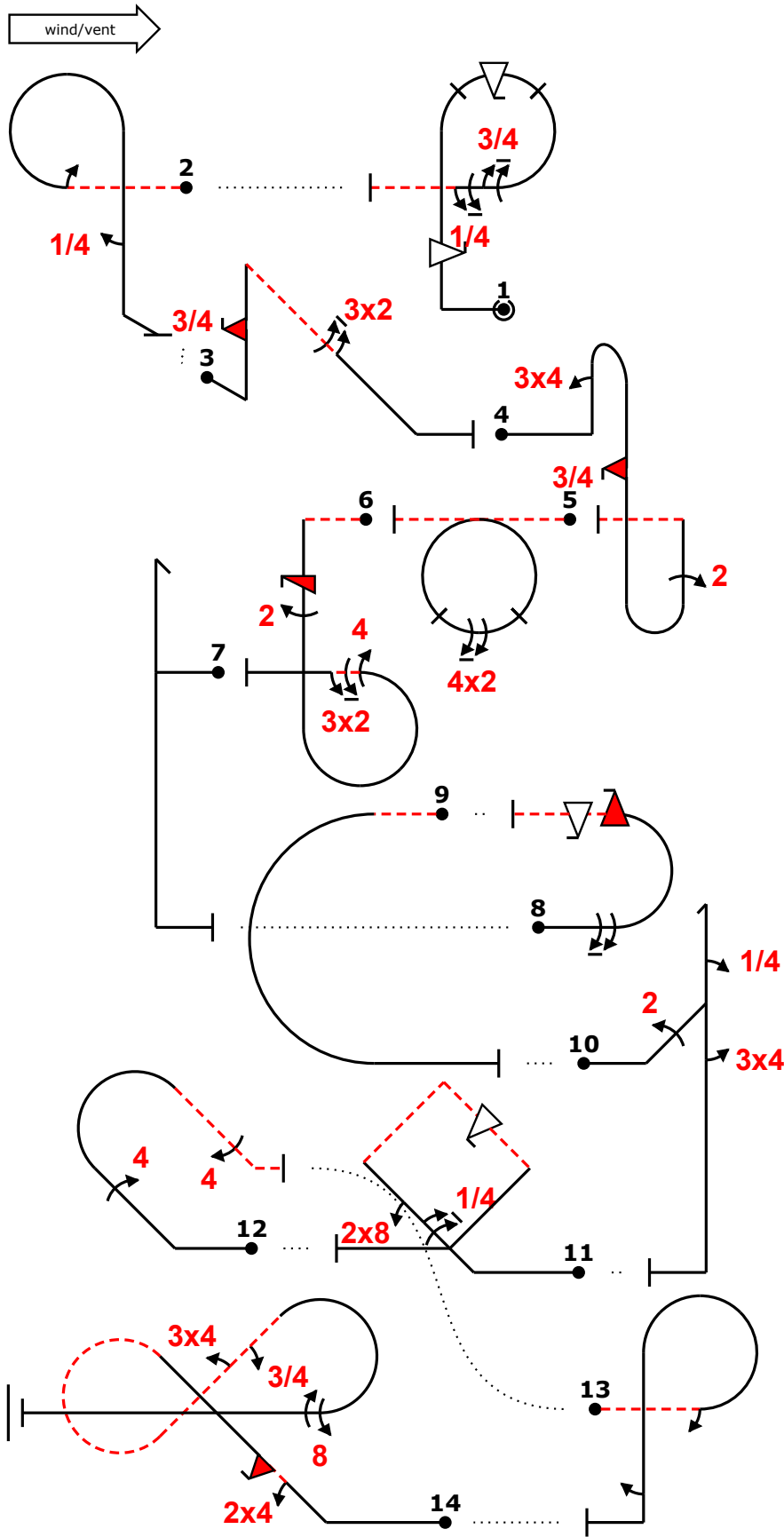


"@D" frp(f)7,5- (9,0) "@L" -2p4. (0,1) "@F" ~,3ifk,32> "@G" ~,34bb(~~~~3if.'')22- "@C" -io42- "@J" -is;22irp44,32 "@L" h.... (-19,0) "@B" 9mif,f- (1,0) "@L" 12% -~a (-2,0) "@I" ~,22dh(^4),34..... (1,0) "@A" ~+5,8dqf (2,0) "@H" ~~~~~+44db44-~ (-18,17) "@L" -~2p'12 (6,0) "@B" ~,24;2if''rcc('',34,3~),88,1+~

Prog B Pilot
 A/C



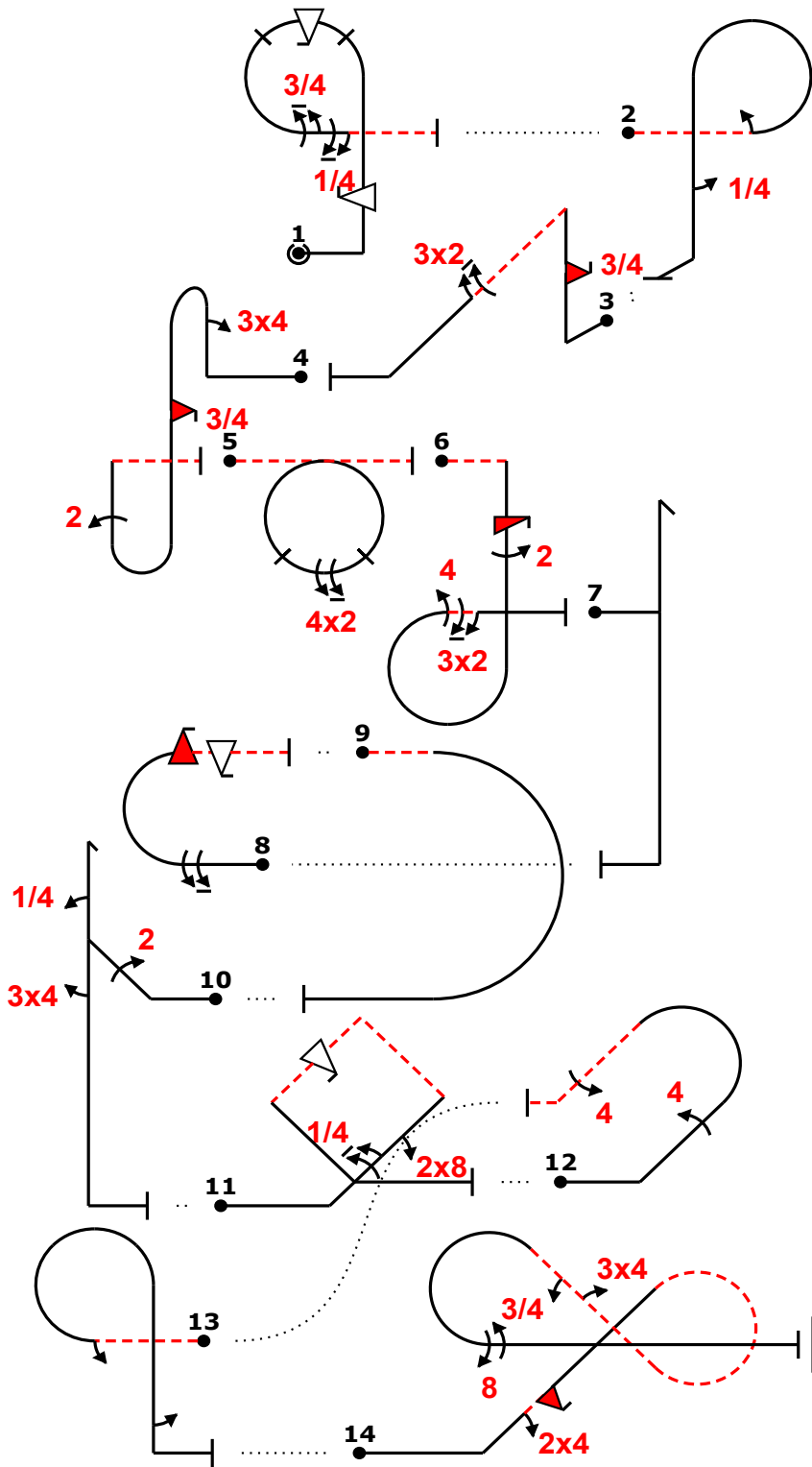
| | | |
|----------|---------------------------|--------|
| | | Form C |
| Pilot ID | CIVA Unlimited Programme3 | |
| | Flight # | |



"@D" frp(f)7,5- (9,0) "@L" -2p4. (0,1) "@F" ~,3ifk,32> "@G" ~,34bb(~~~3if,')22- "@C" -io42- "@J" -is;22irp44,32 "@L" h.... (-19,0) "@B" 9mif,f- (1,0) "@L" 12% -~a (-2,0) "@I" ~,22`dh(4),34.... (1,0) "@A" ~+5,8dqf (2,0) "@H" ~~~~~+44db44-~ (-18,17) "@L" -2p'12 (6,0) "@B" ,24;2if'rcc(.,',34,3~~),88,1+-

Prog B Pilot
 A/C

wind/vent **R**



| Fig | Grade | Pos | Remarks |
|-----|-------|-----|---------|
| 1 | . | | |
| 2 | . | | |
| 3 | . | | |
| 4 | . | | |
| 5 | . | | |
| 6 | . | | |
| 7 | . | | |
| 8 | . | | |
| 9 | . | | |
| 10 | . | | |
| 11 | . | | |
| 12 | . | | |
| 13 | . | | |
| 14 | . | | |

Positioning
40

| | | | |
|---------------|--|----------------|--|
| Too Low | | Trg Violation | |
| Too High | | Wing Rocks | |
| Interruptions | | Disqual Fig | |
| Insertions | | Other(note...) | |

"eD" frp(f)7,5- (9,0) "eL" -2p4. (0,1) "eF" \,3ifk,32> "eG" \,34bb(~~~3if,')22- "eC" -io42- "eJ" -is;22irp44,32 "eL" h.... (-19,0) "eB" 9mif,f- (1,0) "eL" 12% -~a (-2,0) "eI" ~,22`dh(^4),34.... (1,0) "eA" ~+5,8dqf (2,0) "eH" ~~~~~+44db44-~ (-18,17) "eL" -~2p'12 (6,0) "eB" ,24;2if'roc('', 34,3~~),88,1+~

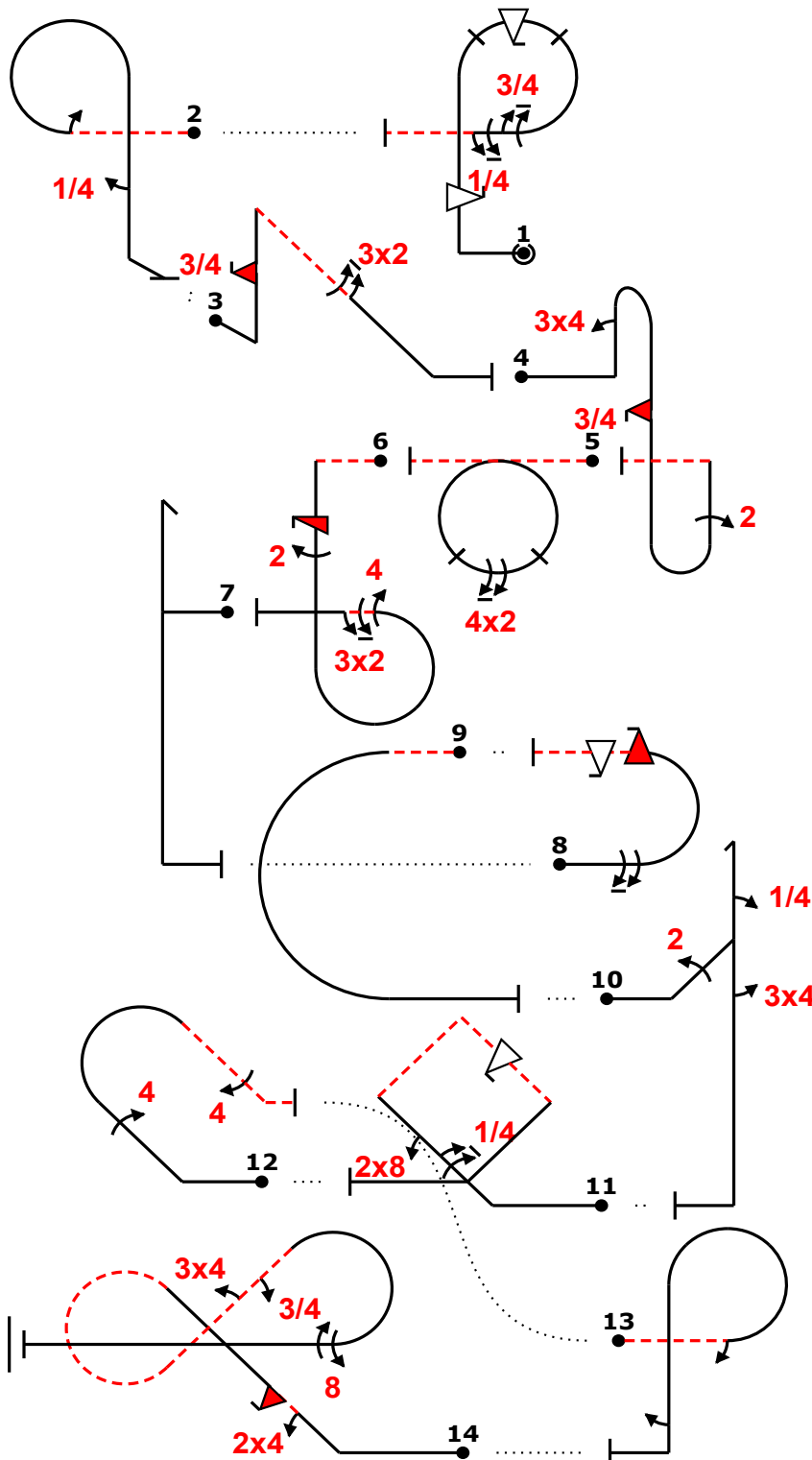
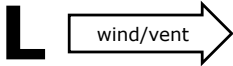
| Fig 1 D | K | Fig 2 L | K | Fig 3 F | K | Fig 4 G | K | Fig 5 C | K | Fig 6 J | K | Fig 7 L | K | Fig 8 B | K | Fig 9 L | K | Fig 10 I | K | Fig 11 A | K | Fig 12 H | K | Fig 13 L | K | Fig 14 E | K |
|---------|----|---------|----|----------|----|-----------|----|---------|----|----------|----|---------|----|----------|----|---------|---|----------|----|----------|----|----------|----|----------|----|----------|----|
| 8.6.2.1 | 12 | 8.6.7.2 | 12 | 1.2.7.1 | 13 | 8.8.1.1 | 18 | 7.4.1.4 | 11 | 8.6.2.4 | 12 | 5.2.1.1 | 17 | 7.2.1.1 | 6 | 7.2.1.4 | 6 | 5.3.1.1 | 18 | 7.4.5.1 | 15 | 8.4.13.1 | 11 | 8.6.7.2 | 12 | 7.8.5.1 | 20 |
| 9.9.1.4 | 15 | 9.1.3.2 | 4 | 9.10.6.3 | 19 | 9.4.1.3 | 12 | 9.2.3.8 | 15 | 9.12.1.4 | 7 | | | 9.1.3.8 | 12 | | | 9.2.2.4 | 11 | 9.1.2.5 | 11 | 9.4.2.4 | 13 | 9.1.3.2 | 4 | 9.4.2.2 | 7 |
| 9.9.3.4 | 11 | 9.1.5.1 | 2 | 9.2.4.6 | 12 | 9.10.10.3 | 15 | | | 9.2.5.4 | 9 | | | 9.10.8.4 | 15 | | | 9.1.1.1 | 6 | 9.8.2.1 | 5 | 9.4.4.4 | 11 | 9.1.5.2 | 4 | 9.10.2.2 | 15 |
| 9.1.3.7 | 11 | | | | | 9.2.1.4 | 13 | | | 9.4.3.4 | 11 | | | 9.9.8.4 | 13 | | | 9.4.5.3 | 8 | 9.9.9.4 | 13 | | | | | 9.4.2.3 | 10 |
| 9.1.3.5 | 9 | | | | | | | | | 9.2.3.6 | 12 | | | | | | | | | | | | | | | 9.1.2.3 | 8 |
| | | | | | | | | | | | | | | | | | | | | | | | | | | 9.8.3.4 | 15 |
| | | | | | | | | | | | | | | | | | | | | | | | | | | 9.1.3.4 | 8 |
| | 58 | | 6 | | 44 | | 58 | | 26 | | 51 | | 6 | | 46 | | 6 | | 43 | | 44 | | 35 | | 6 | | 83 |

Pilot: Proq B

A/C:



| | | |
|-------------|--------|----------|
| Judges Name | | Flight # |
| Signature | Number | |



| Fig | Grade | Pos | Remarks |
|-----|-------|-----|---------|
| 1 | . | | |
| 2 | . | | |
| 3 | . | | |
| 4 | . | | |
| 5 | . | | |
| 6 | . | | |
| 7 | . | | |
| 8 | . | | |
| 9 | . | | |
| 10 | . | | |
| 11 | . | | |
| 12 | . | | |
| 13 | . | | |
| 14 | . | | |

Positioning
40 .

| | | | |
|---------------|--|----------------|--|
| Too Low | | Trg Violation | |
| Too High | | Wing Rocks | |
| Interruptions | | Disqual Fig | |
| Insertions | | Other(note...) | |

"@D" frp(f)7,5- (9,0) "@L" -2p4. (0,1) "@F" >,3ifk,32> "@G" >,34bb(~~~~3if,')22- "@C" -io42- "@J" -is;22irp44,32 "@L" h.... (-19,0) "@B" 9mif,f- (1,0) "@L" 12% -"a (-2,0) "@I" >,22`dh(^4),34....' (1,0) "@A" >+5,8dqf (2,0) "@H" >~~~~+44db44-~~~~ (-18,17) "@L" ->2p'^2 (6,0) "@B" >,24;2if'rcc('...', 34,3~~~~),88,1+~

| Fig 1 D | K | Fig 2 L | K | Fig 3 F | K | Fig 4 G | K | Fig 5 C | K | Fig 6 J | K | Fig 7 L | K | Fig 8 B | K | Fig 9 L | K | Fig 10 I | K | Fig 11 A | K | Fig 12 H | K | Fig 13 L | K | Fig 14 E | K | |
|---------|----|---------|----|----------|----|-----------|----|---------|----|----------|----|---------|----|----------|----|---------|---|----------|----|----------|----|----------|----|----------|----|----------|---------|----|
| 8.6.2.1 | 12 | 8.6.7.2 | 12 | 1.2.7.1 | 13 | 8.8.1.1 | 18 | 7.4.1.4 | 11 | 8.6.2.4 | 12 | 5.2.1.1 | 17 | 7.2.1.1 | 6 | 7.2.1.4 | 6 | 5.3.1.1 | 18 | 7.4.5.1 | 15 | 8.4.13.1 | 11 | 8.6.7.2 | 12 | 7.8.5.1 | 20 | |
| 9.9.1.4 | 15 | 9.1.3.2 | 4 | 9.10.6.3 | 19 | 9.4.1.3 | 12 | 9.2.3.8 | 15 | 9.12.1.4 | 7 | | | 9.1.3.8 | 12 | | | 9.2.2.4 | 11 | 9.1.2.5 | 11 | 9.4.2.4 | 13 | 9.1.3.2 | 4 | 9.4.2.2 | 7 | |
| 9.9.3.4 | 11 | 9.1.5.1 | 2 | 9.2.4.6 | 12 | 9.10.10.3 | 15 | | | 9.2.5.4 | 9 | | | 9.10.8.4 | 15 | | | 9.1.1.1 | 6 | 9.8.2.1 | 5 | 9.4.4.4 | 11 | 9.1.5.2 | 4 | 9.10.2.2 | 15 | |
| 9.1.3.7 | 11 | | | | | 9.2.1.4 | 13 | | | 9.4.3.4 | 11 | | | 9.9.8.4 | 13 | | | 9.4.5.3 | 8 | 9.9.9.4 | 13 | | | | | 9.4.2.3 | 10 | |
| 9.1.3.5 | 9 | | | | | | | | | 9.2.3.6 | 12 | | | | | | | | | | | | | | | | 9.1.2.3 | 8 |
| | | | | | | | | | | | | | | | | | | | | | | | | | | | 9.8.3.4 | 15 |
| | | | | | | | | | | | | | | | | | | | | | | | | | | | 9.1.3.4 | 8 |
| | 58 | | 6 | | 44 | | 58 | | 26 | | 51 | | 6 | | 46 | | 6 | | 43 | | 44 | | 35 | | 6 | | | 83 |

Pilot: Proq B

A/C:

