



Pilot ID

CIVA Unlimited Programme2

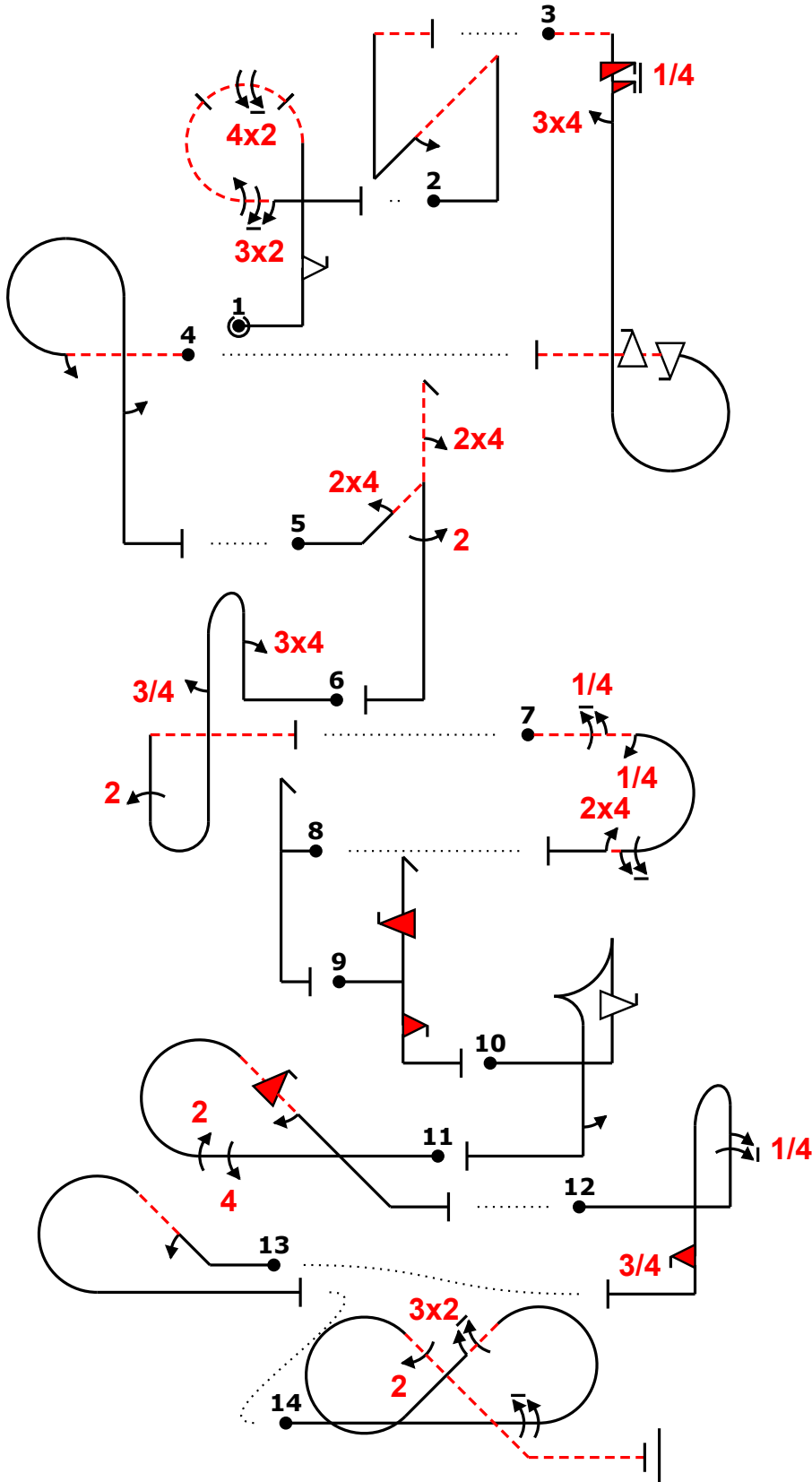
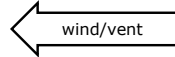
Flight #

No	Symbol	Cat. No.	K	Total K	Grade	Pos	Remarks	Item	K	Grade
1		8.6.4.1 9.9.1.2 9.2.3.8 9.1.3.4 9.2.3.6	14 15 15 8 12	Fig D 64	.			Pos.	40	
2		1.3.11.1 9.1.4.2	20 4	additional 6	.			Harm.	0	
3		8.6.1.4 9.12.1.5 9.4.5.3 9.9.3.4 9.9.8.4	12 6 8 11 13	Fig A 50	.			Fig K	492	Total K 532
4		8.6.7.2 9.1.3.2 9.1.5.2	12 4 4	additional 6	.			Penalties		
5		5.3.2.1 9.4.2.2 9.4.1.2 9.2.5.4	24 7 9 9	Fig I 49	.			Too Low		
6		8.8.1.1 9.4.1.3 9.1.5.3 9.2.1.4	18 12 6 13	Fig J 49	.			Too High		
7		7.2.1.4 9.1.3.5 9.1.3.1 9.1.3.6 9.4.3.2	6 9 2 10 5	Fig H 32	.			Interruptions		
8		5.2.1.1	17	additional 6	.			Insertions		
9		5.2.1.1 9.10.6.4 9.10.5.2	17 19 13	Fig E 49	.			Trg Violation		
10		6.2.1.1 9.9.1.4 9.1.5.2	15 15 4	Fig C 34	.			Wing Rocks		
11		8.5.6.1 9.4.3.4 9.2.3.4 9.10.4.4 9.1.4.2	10 11 9 13 4	Fig B 47	.			Disqual Fig		
12		8.4.1.1 9.1.1.5 9.10.10.3	13 14 15	Fig F 42	.			Other(note...)		
13		8.5.2.1 9.1.2.2	10 6	additional 6	.			Final Freestyle		
14		7.8.3.1 9.1.3.8 9.2.4.6 9.2.4.4	19 12 12 9	Fig G 52	.			Duration	Min	Sec
								Judges Details		
								Signature		
								Name		
								Number		

Prog C Pilot
A/C



		Form B
Pilot ID	CIVA Unlimited Programme2	
	Flight #	

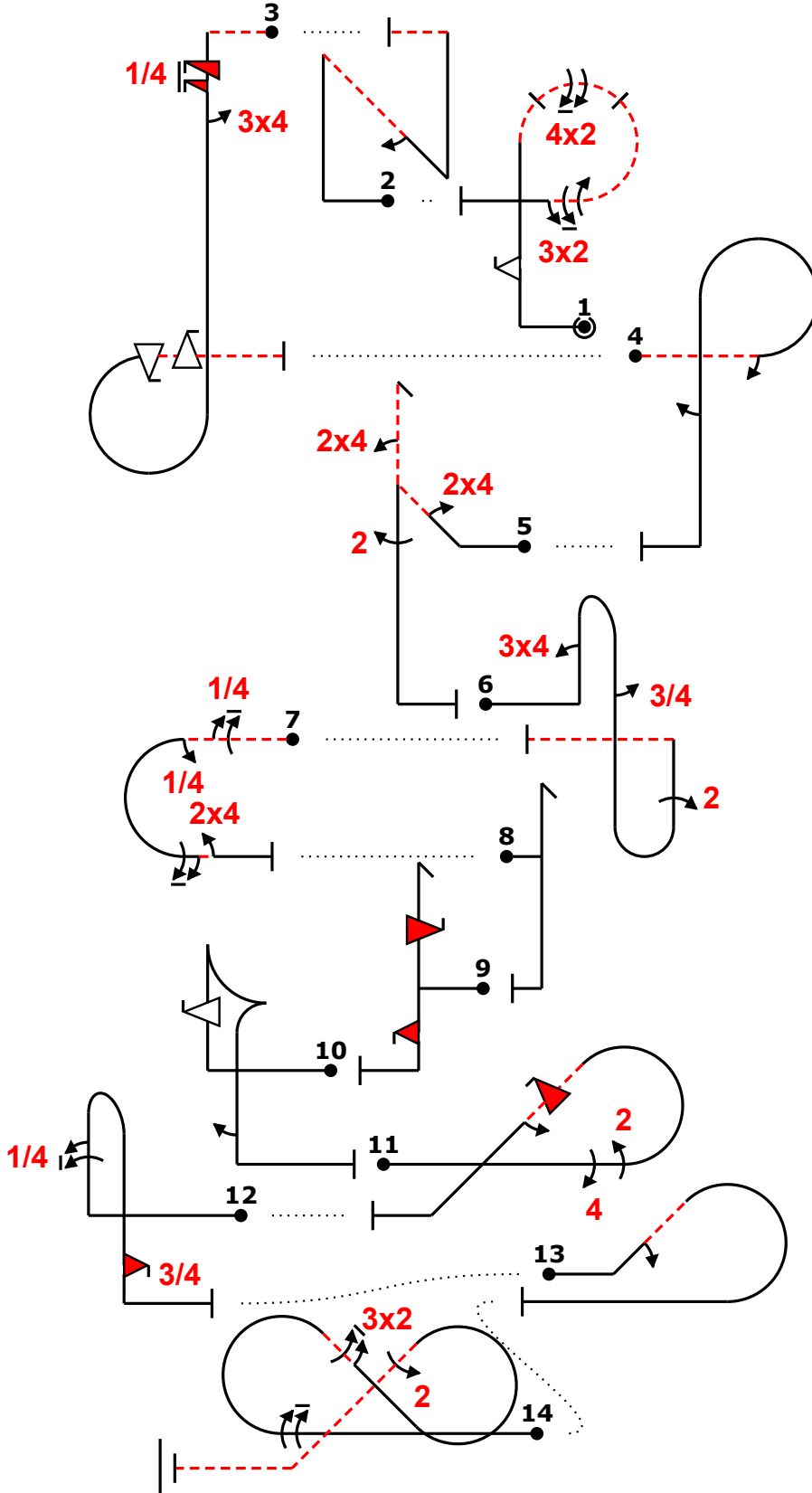
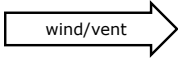


"@D",2frp(42)1,32 (1,0) "@L" n(2)- (4,0) "@A" -5is,34....'irp,f,- (-20,0) "@L" -2p2..' (4,0) "@I" ^24`dh(,24)22... "@J" ^
 ,34`bb(,3..')22-- (12,0) "@H" -5,4a6,24 (-12,0) "@L" +`h.+` "@B" ifh`2if "@C" ^,f`ta`2 "@B" 44,22ci,f,2 (5,0) "
 @F" -+` ,5b.,3if` (-19,-2) "@L"2rc (-5,9) "@G" 9cc,(32),22-

Prog C
Pilot
A/C



		Form C
Pilot ID	CIVA Unlimited Programme2	
	Flight #	



"@D",2frp(42)1,32 (1,0) "@L" n(2)- (4,0) "@A" -5is,34....'irpf,f- (-20,0) "@L" -2p2.. (4,0) "@I" ^24^dh(^,24)22... "@J" ^,34'bb(^,3.'')22-- (12,0) "@H" -5,4a6,24 (-12,0) "@L" ^+ ^h.+ "" "@B" ifh^2if "8C" ^,f^ta^2 "8B" 44,22ciF,2 (5,0) "@F" -+ ^,5b,3if^ (-19,-2) "@L" ^2rc (-5,9) "@G" 9cc,(32),22-

Prog C

Pilot

A/C

wind/vent **R**

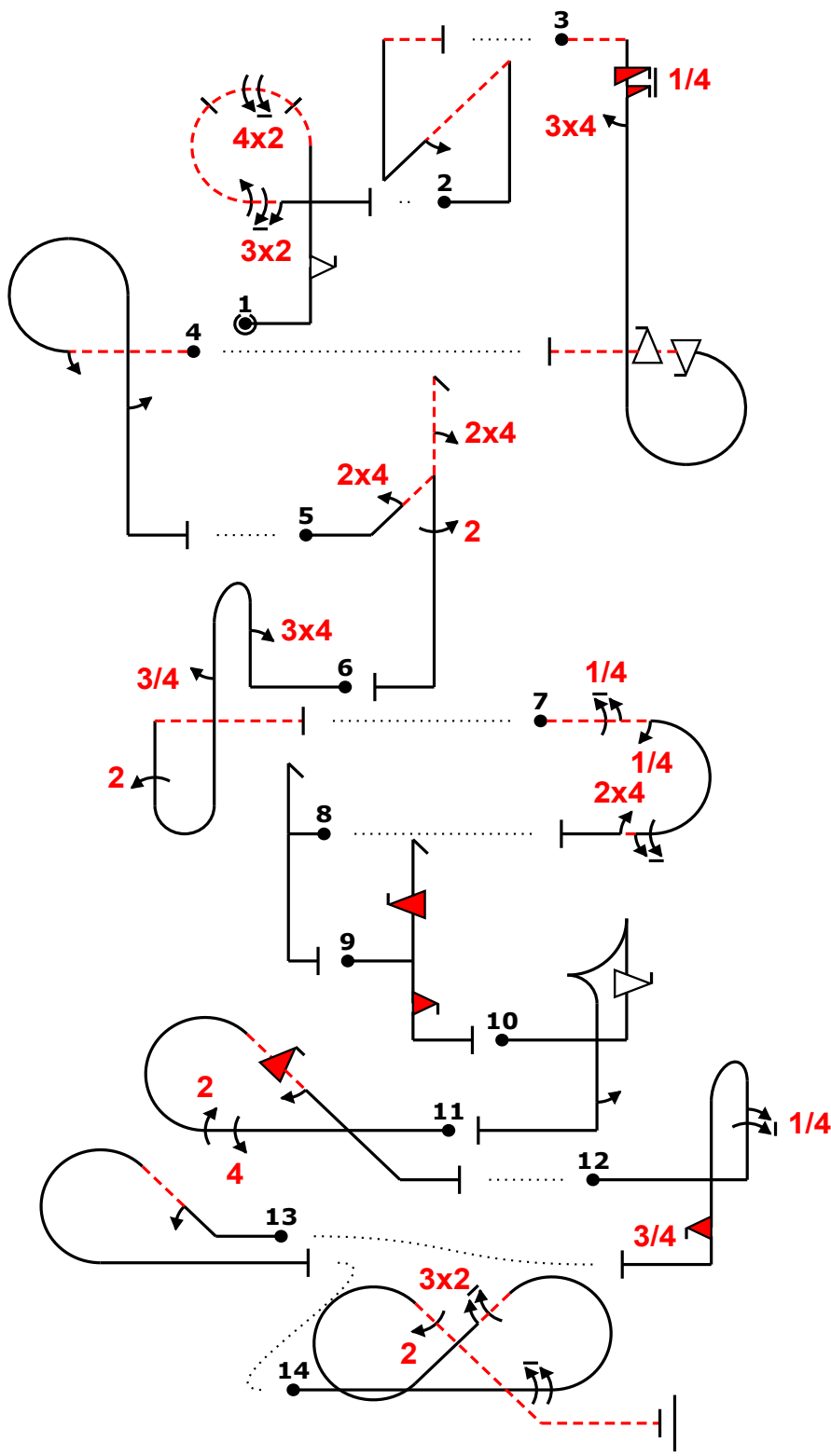


Fig	Grade	Pos	Remarks
1	.		
2	.		
3	.		
4	.		
5	.		
6	.		
7	.		
8	.		
9	.		
10	.		
11	.		
12	.		
13	.		
14	.		

Positioning
40

Too Low		Trg Violation	
Too High		Wing Rocks	
Interruptions		Disqual Fig	
Insertions		Other(note...)	

"@B",2frp(42)1,32 (1,0) "@L" n(2)- (4,0) "@A" -5is,34... "irpf,- (-20,0) "@L" -2p2.. (4,0) "@I" 24`dh(,24)22... "@J" ,34`bb(,3,')22-- (12,0) "@H" -5,4a6,24 (-12,0) "@L" +~`h,+~ "@E" ifh`2if "@C" 'f`ta`2 "@B" 44,22cif,2 (5,0) "@P" -+~`5b,3if~ (-19,-2) "@L" ~~~~~2rc (-5,9) "@G" 9cc(,32),22-

Fig 1 D	K	Fig 2 L	K	Fig 3 A	K	Fig 4 L	K	Fig 5 I	K	Fig 6 J	K	Fig 7 H	K	Fig 8 L	K	Fig 9 E	K	Fig 10 C	K	Fig 11 B	K	Fig 12 F	K	Fig 13 L	K	Fig 14 G	K
8.6.4.1	14	1.3.11.1	20	8.6.1.4	12	8.6.7.2	12	5.3.2.1	24	8.8.1.1	18	7.2.1.4	6	5.2.1.1	17	5.2.1.1	17	6.2.1.1	15	8.5.6.1	10	8.4.1.1	13	8.5.2.1	10	7.8.3.1	19
9.9.1.2	15	9.1.4.2	4	9.12.1.5	6	9.1.3.2	4	9.4.2.2	7	9.4.1.3	12	9.1.3.5	9	9.10.6.4	19	9.10.6.4	19	9.9.1.4	15	9.4.3.4	11	9.1.1.5	14	9.1.2.2	6	9.1.3.8	12
9.2.3.8	15			9.4.5.3	8	9.1.5.2	4	9.4.1.2	9	9.1.5.3	6	9.1.3.1	2	9.10.5.2	13	9.10.5.2	13	9.1.5.2	4	9.2.3.4	9	9.10.10.3	15			9.2.4.6	12
9.1.3.4	8			9.9.3.4	11			9.2.5.4	9	9.2.1.4	13	9.1.3.6	10							9.10.4.4	13					9.2.4.4	9
9.2.3.6	12			9.9.8.4	13					9.4.3.2	5									9.1.4.2	4						
64		6		50		6		49		49		32		6		49		34		47		42		6		52	

Pilot: Proq C

A/C:

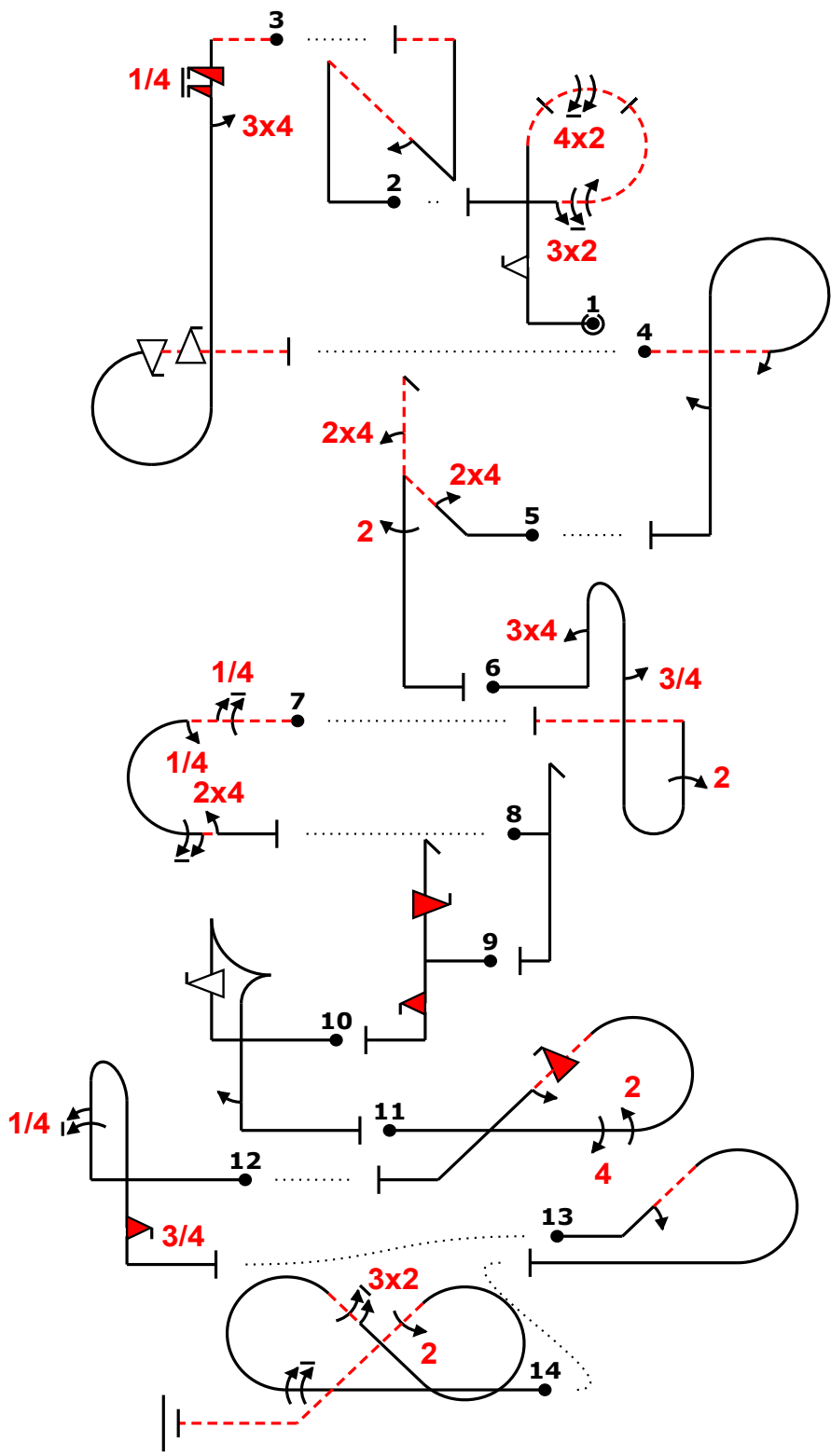
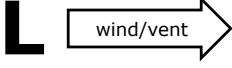


Fig	Grade	Pos	Remarks
1	.		
2	.		
3	.		
4	.		
5	.		
6	.		
7	.		
8	.		
9	.		
10	.		
11	.		
12	.		
13	.		
14	.		

Positioning
40 .

Too Low		Trg Violation	
Too High		Wing Rocks	
Interruptions		Disqual Fig	
Insertions		Other(note...)	

"eB",2frp(42)1,32 (1,0) "eL" n(2)-(4,0) "eA" -5is,34....'irpf,-(-20,0) "eL" -2p2.. (4,0) "eI" 24`dh(,24)22... "eJ" ,34'bb(,3,')22-- (12,0) "eH" -5,4a6,24 (-12,0) "eL" +~h,+ "eE" ifh`2if "eC" 'f`ta`2 "eB" 44,22cif,2 (5,0) "eP" -+,,5b,,3if' (-19,-2) "eL"2rc (-5,9) "eG" 9cc(,32),22-

Fig 1 D	K	Fig 2 L	K	Fig 3 A	K	Fig 4 L	K	Fig 5 I	K	Fig 6 J	K	Fig 7 H	K	Fig 8 L	K	Fig 9 E	K	Fig 10 C	K	Fig 11 B	K	Fig 12 F	K	Fig 13 L	K	Fig 14 G	K
8.6.4.1	14	1.3.11.1	20	8.6.1.4	12	8.6.7.2	12	5.3.2.1	24	8.8.1.1	18	7.2.1.4	6	5.2.1.1	17	5.2.1.1	17	6.2.1.1	15	8.5.6.1	10	8.4.1.1	13	8.5.2.1	10	7.8.3.1	19
9.9.1.2	15	9.1.4.2	4	9.12.1.5	6	9.1.3.2	4	9.4.2.2	7	9.4.1.3	12	9.1.3.5	9	9.10.6.4	19	9.10.6.4	19	9.9.1.4	15	9.4.3.4	11	9.1.1.5	14	9.1.2.2	6	9.1.3.8	12
9.2.3.8	15			9.4.5.3	8	9.1.5.2	4	9.4.1.2	9	9.1.5.3	6	9.1.3.1	2	9.10.5.2	13	9.10.5.2	13	9.1.5.2	4	9.2.3.4	9	9.10.10.3	15			9.2.4.6	12
9.1.3.4	8			9.9.3.4	11			9.2.5.4	9	9.2.1.4	13	9.1.3.6	10							9.10.4.4	13					9.2.4.4	9
9.2.3.6	12			9.9.8.4	13					9.4.3.2	5									9.1.4.2	4						
	64		6		50		6		49		49		32		6		49		34		47		42		6		52

Pilot: Proq C

A/C:

wind/vent ←

