



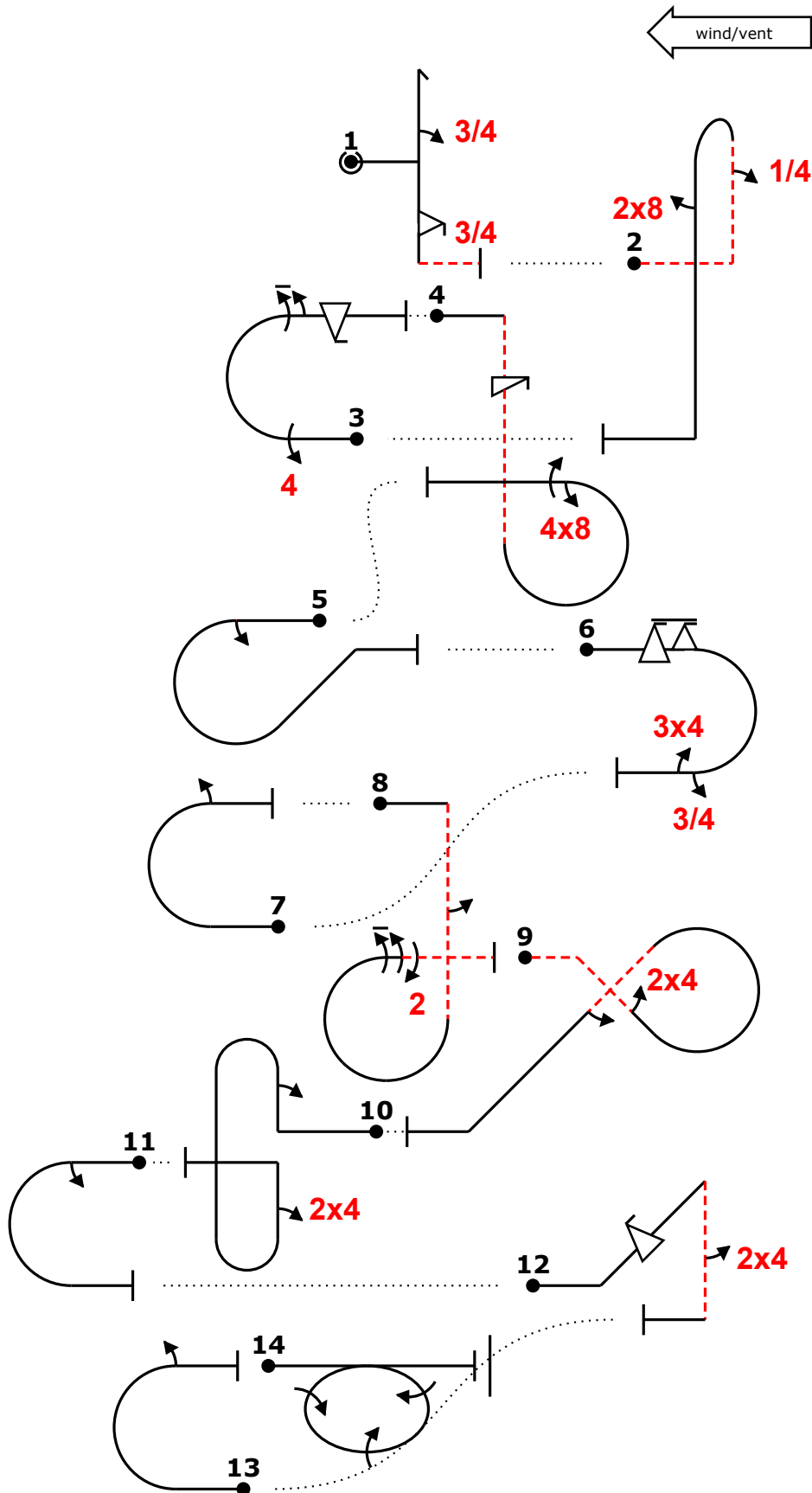
CIVA		Form A
Pilot ID	CIVA Advanced Programme4	Flight #

No	Symbol	Cat. No.	K	Total K	Grade	Pos	Remarks	Item	K	Grade
1		5.2.1.3 9.1.1.3 9.9.5.3	18 10 11	Fig B 39	.			Pos.	30	
2		8.4.4.2 9.1.1.1 9.8.5.1	14 6 3	Fig J 23	.			Harm.	0	
3		7.2.2.1 9.4.3.4 9.1.3.6 9.9.3.4	6 11 10 11	Fig D 38	.			Fig K	359	Total K 389
4		8.6.4.3 9.11.1.4 9.8.3.2 9.1.3.4	13 5 7 8	Fig F 33	.			Penalties		
5		8.5.7.3 9.1.3.2	10 4	additional 6	.			Too Low		
6		7.2.3.3 9.9.3.6 9.1.3.3 9.4.3.3	6 14 6 8	Fig E 34	.			Too High		
7		7.2.2.1 9.1.3.2	6 4	additional 6	.			Interruptions		
8		8.6.3.3 9.1.5.2 9.1.3.8 9.2.3.4	13 4 12 9	Fig H 38	.			Insertions		
9		7.3.4.4 9.4.4.2 9.1.4.2	15 5 4	Fig G 24	.			Trg Violation		
10		8.8.2.1 9.1.1.2 9.4.1.2	19 8 9	Fig I 36	.			Wing Rocks		
11		7.2.3.3 9.1.3.2	6 4	additional 6	.			Disqual Fig		
12		1.2.1.1 9.9.2.4 9.4.5.2	13 13 5	Fig A 31	.			Other(note...)		
13		7.2.2.1 9.1.3.2	6 4	additional 6	.			Final Freestyle		
14		2.4.5.1	39	Fig C 39	.			Duration	Min	Sec

Prog C Pilot
 A/C



		Form B
Pilot ID	CIVA Advanced Programme4	Flight #

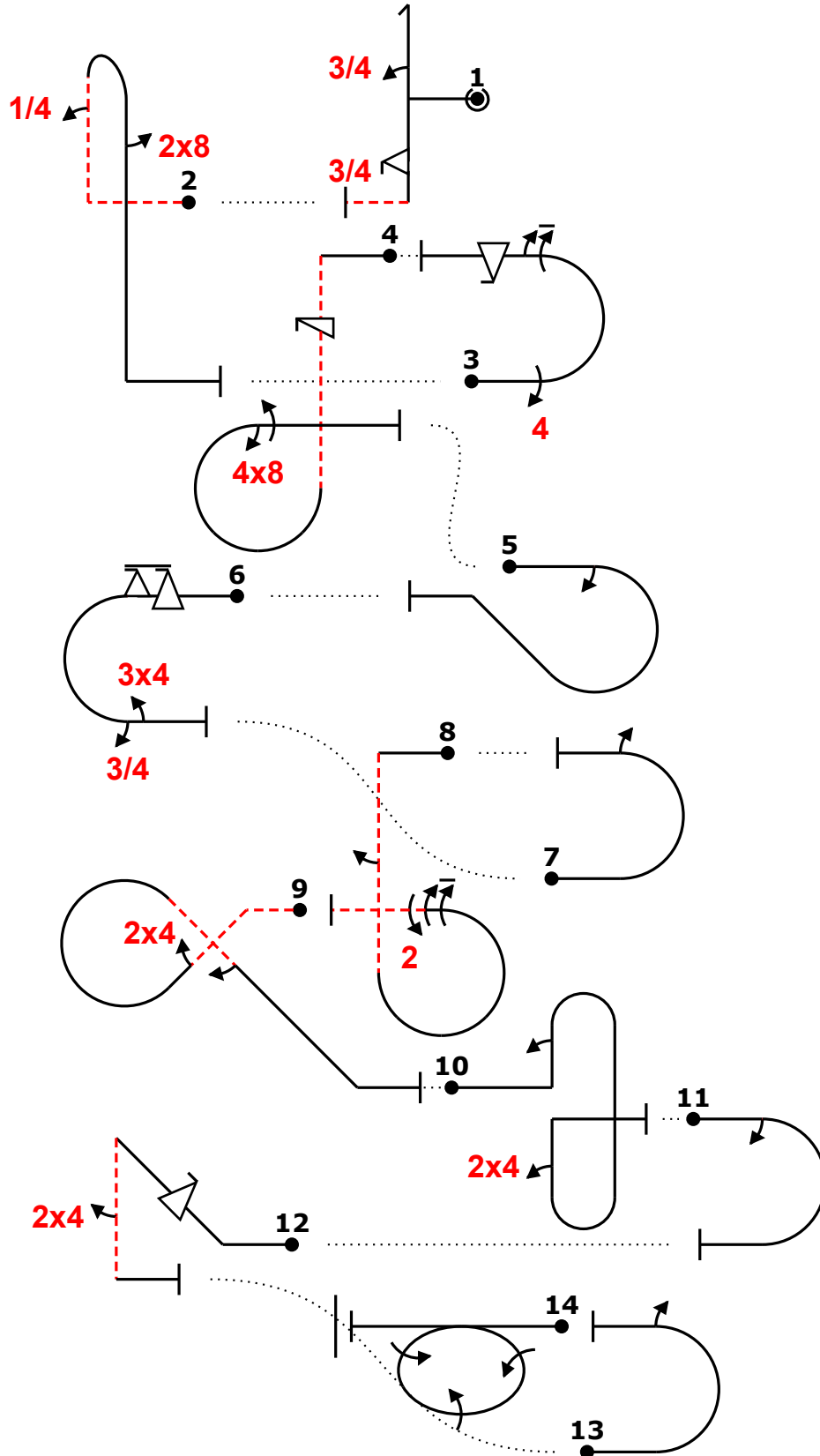
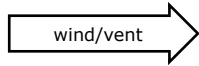


"@B" ~~,3h3f-> (6,0) "@J" ~~,4b~~,8... (-12,0) "@D" 44m6,f (-2,0) "@F" s''irp48,1-- (-3,9) "@L" ~~~~~2ic~~~~ (7,0) "@E" 6fa3,34 (-18,10) "@L" m2 (3,0) "@H" .''2'irp9,22- "@G" ~~~24ig~2... (2,0) "@I" ~~,2bb(~~~),24~ (1,0) "@L" 2a (22,0) "@A" f't'24 (-22,11) "@L" m2 "@C" 4j3-

Prog C
Pilot
A/C



		Form C
Pilot ID	CIVA Advanced Programme4	
	Flight #	



"@B" ~~,3h3f-> (6,0) "@J" ~,4b~,8... (-12,0) "@D" 44m6,f (-2,0) "@F" s'irp48,1-- (-3,9) "@L" ~~~~~2ic~~~~ (7,0) "@E" 6fa3,34 (-18,10) "@L" m2 (3,0) "@H" ~'2'irp9,22- "@G" ~-24ig~2... (2,0) "@I" ~,2bb(~),24` (1,0) "@L" 2a (22,0) "@A" f't'24 (-22,11) "@L" m2 "@C" 4j3-

Prog C
Pilot
A/C

wind/vent ← **R**

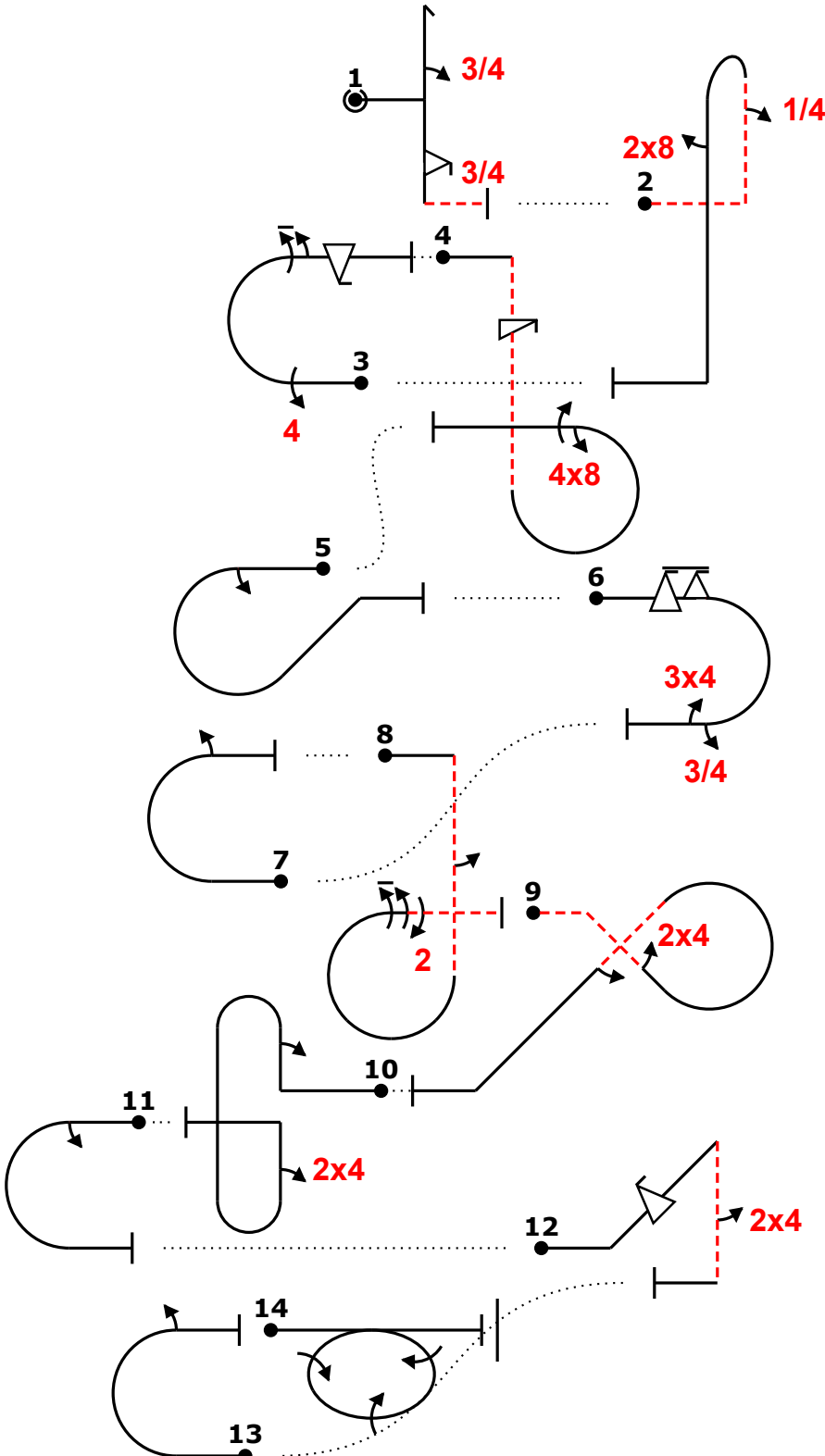


Fig	Grade	Pos	Remarks
1	.		
2	.		
3	.		
4	.		
5	.		
6	.		
7	.		
8	.		
9	.		
10	.		
11	.		
12	.		
13	.		
14	.		

Positioning
30

Too Low	<input type="text"/>	Trg Violation	<input type="text"/>
Too High	<input type="text"/>	Wing Rocks	<input type="text"/>
Interruptions	<input type="text"/>	Disqual Fig	<input type="text"/>
Insertions	<input type="text"/>	Other(note...)	<input type="text"/>

"@B" ~~,3h3f-> (6,0) "@J" ~~,4b~~,8..... (-12,0) "@D" 44m6,f (-2,0) "@F" s'irp48,1~~ (-3,9) "@L" ~
 ~~~~~2ic~~~~ (7,0) "@B" 6fa3,34 (-18,10) "@L" m2 (3,0) "@H" 'i'2'irp9,22~~ "@G" ~~~24ig~~2...  
 (2,0) "@I" ~~,2bb(~~),24' (1,0) "@L" 2a (22,0) "@A" f't'24 (-22,11) "@L" m2 "ec" 4j3-

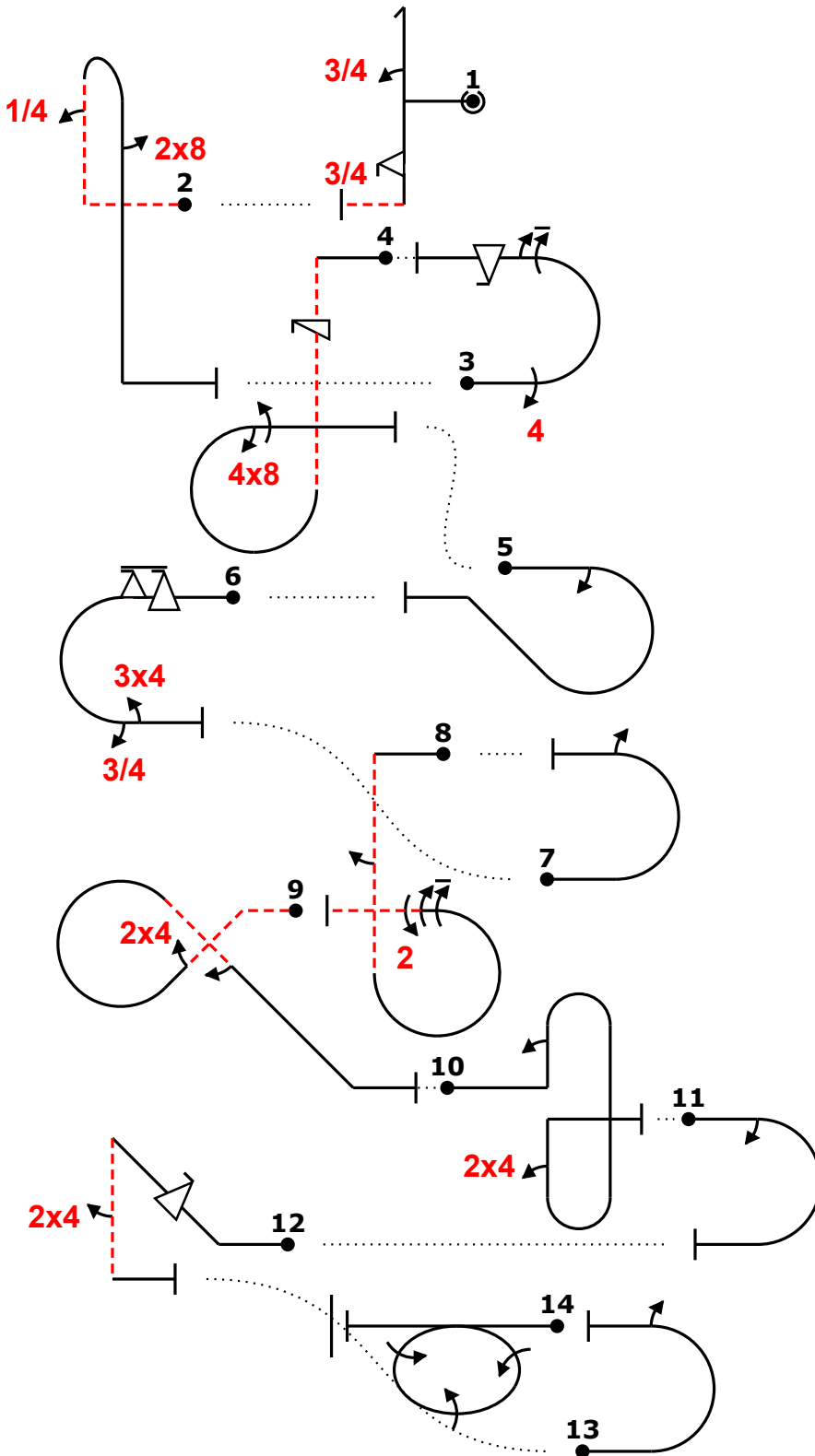
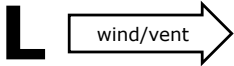
| Fig 1 B | K  | Fig 2 J | K  | Fig 3 D | K  | Fig 4 F  | K  | Fig 5 L | K  | Fig 6 E | K  | Fig 7 L | K | Fig 8 H | K  | Fig 9 G | K  | Fig 10 I | K  | Fig 11 L | K | Fig 12 A | K  | Fig 13 L | K | Fig 14 C | K  |
|---------|----|---------|----|---------|----|----------|----|---------|----|---------|----|---------|---|---------|----|---------|----|----------|----|----------|---|----------|----|----------|---|----------|----|
| 5.2.1.3 | 18 | 8.4.4.2 | 14 | 7.2.2.1 | 6  | 8.6.4.3  | 13 | 8.5.7.3 | 10 | 7.2.3.3 | 6  | 7.2.2.1 | 6 | 8.6.3.3 | 13 | 7.3.4.4 | 15 | 8.8.2.1  | 19 | 7.2.3.3  | 6 | 1.2.1.1  | 13 | 7.2.2.1  | 6 | 2.4.5.1  | 39 |
| 9.1.1.3 | 10 | 9.1.1.1 | 6  | 9.4.3.4 | 11 | 9.11.1.4 | 5  | 9.1.3.2 | 4  | 9.9.3.6 | 14 | 9.1.3.2 | 4 | 9.1.5.2 | 4  | 9.4.4.2 | 5  | 9.1.1.2  | 8  | 9.1.3.2  | 4 | 9.9.2.4  | 13 | 9.1.3.2  | 4 |          |    |
| 9.9.5.3 | 11 | 9.8.5.1 | 3  | 9.1.3.6 | 10 | 9.8.3.2  | 7  |         |    | 9.1.3.3 | 6  |         |   | 9.1.3.8 | 12 | 9.1.4.2 | 4  | 9.4.1.2  | 9  |          |   | 9.4.5.2  | 5  |          |   |          |    |
|         | 39 |         | 23 | 9.9.3.4 | 11 | 9.1.3.4  | 8  |         | 6  | 9.4.3.3 | 8  |         | 6 | 9.2.3.4 | 9  |         | 24 |          | 36 | 6        |   | 31       |    | 6        |   | 39       |    |

Pilot: Proq C

A/C:



|             |        |          |
|-------------|--------|----------|
| Judges Name |        | Flight # |
| Signature   | Number |          |



| Fig | Grade | Pos | Remarks |
|-----|-------|-----|---------|
| 1   | .     |     |         |
| 2   | .     |     |         |
| 3   | .     |     |         |
| 4   | .     |     |         |
| 5   | .     |     |         |
| 6   | .     |     |         |
| 7   | .     |     |         |
| 8   | .     |     |         |
| 9   | .     |     |         |
| 10  | .     |     |         |
| 11  | .     |     |         |
| 12  | .     |     |         |
| 13  | .     |     |         |
| 14  | .     |     |         |

Positioning 30 .

|               |  |                |  |
|---------------|--|----------------|--|
| Too Low       |  | Trg Violation  |  |
| Too High      |  | Wing Rocks     |  |
| Interruptions |  | Disqual Fig    |  |
| Insertions    |  | Other(note...) |  |

"@B" ~~,3h3f-> (6,0) "@J" ~~,4b~~,8... (-12,0) "@D" 44m6,f (-2,0) "@F" s'irp48,1~ (-3,9) "@L" ~  
 ~~~~~2ic~~~~ (7,0) "@B" 6fa3,34 (-18,10) "@L" m2 (3,0) "@H" .i'2'irp9,22-~ "@G" ~~~24ig~2...  
 (2,0) "@I" ~~,2bb(~~),24~ (1,0) "@L" 2a (22,0) "@A" f't'24 (-22,11) "@L" m2 "ec" 4j3-

| Fig 1 B | K | Fig 2 J | K | Fig 3 D | K | Fig 4 F | K | Fig 5 L | K | Fig 6 E | K | Fig 7 L | K | Fig 8 H | K | Fig 9 G | K | Fig 10 I | K | Fig 11 L | K | Fig 12 A | K | Fig 13 L | K | Fig 14 C | K |
|---------|----|---------|----|---------|----|----------|----|---------|----|---------|----|---------|---|---------|----|---------|----|----------|----|----------|---|----------|----|----------|---|----------|----|
| 5.2.1.3 | 18 | 8.4.4.2 | 14 | 7.2.2.1 | 6 | 8.6.4.3 | 13 | 8.5.7.3 | 10 | 7.2.3.3 | 6 | 7.2.2.1 | 6 | 8.6.3.3 | 13 | 7.3.4.4 | 15 | 8.8.2.1 | 19 | 7.2.3.3 | 6 | 1.2.1.1 | 13 | 7.2.2.1 | 6 | 2.4.5.1 | 39 |
| 9.1.1.3 | 10 | 9.1.1.1 | 6 | 9.4.3.4 | 11 | 9.11.1.4 | 5 | 9.1.3.2 | 4 | 9.9.3.6 | 14 | 9.1.3.2 | 4 | 9.1.5.2 | 4 | 9.4.4.2 | 5 | 9.1.1.2 | 8 | 9.1.3.2 | 4 | 9.9.2.4 | 13 | 9.1.3.2 | 4 | | |
| 9.9.5.3 | 11 | 9.8.5.1 | 3 | 9.1.3.6 | 10 | 9.8.3.2 | 7 | | | 9.1.3.3 | 6 | | | 9.1.3.8 | 12 | 9.1.4.2 | 4 | 9.4.1.2 | 9 | | | 9.4.5.2 | 5 | | | | |
| | 39 | | 23 | 9.9.3.4 | 11 | 9.1.3.4 | 8 | | 6 | 9.4.3.3 | 8 | | 6 | 9.2.3.4 | 9 | | 24 | | 36 | 6 | | 31 | | 6 | | 39 | |

wind/vent

