



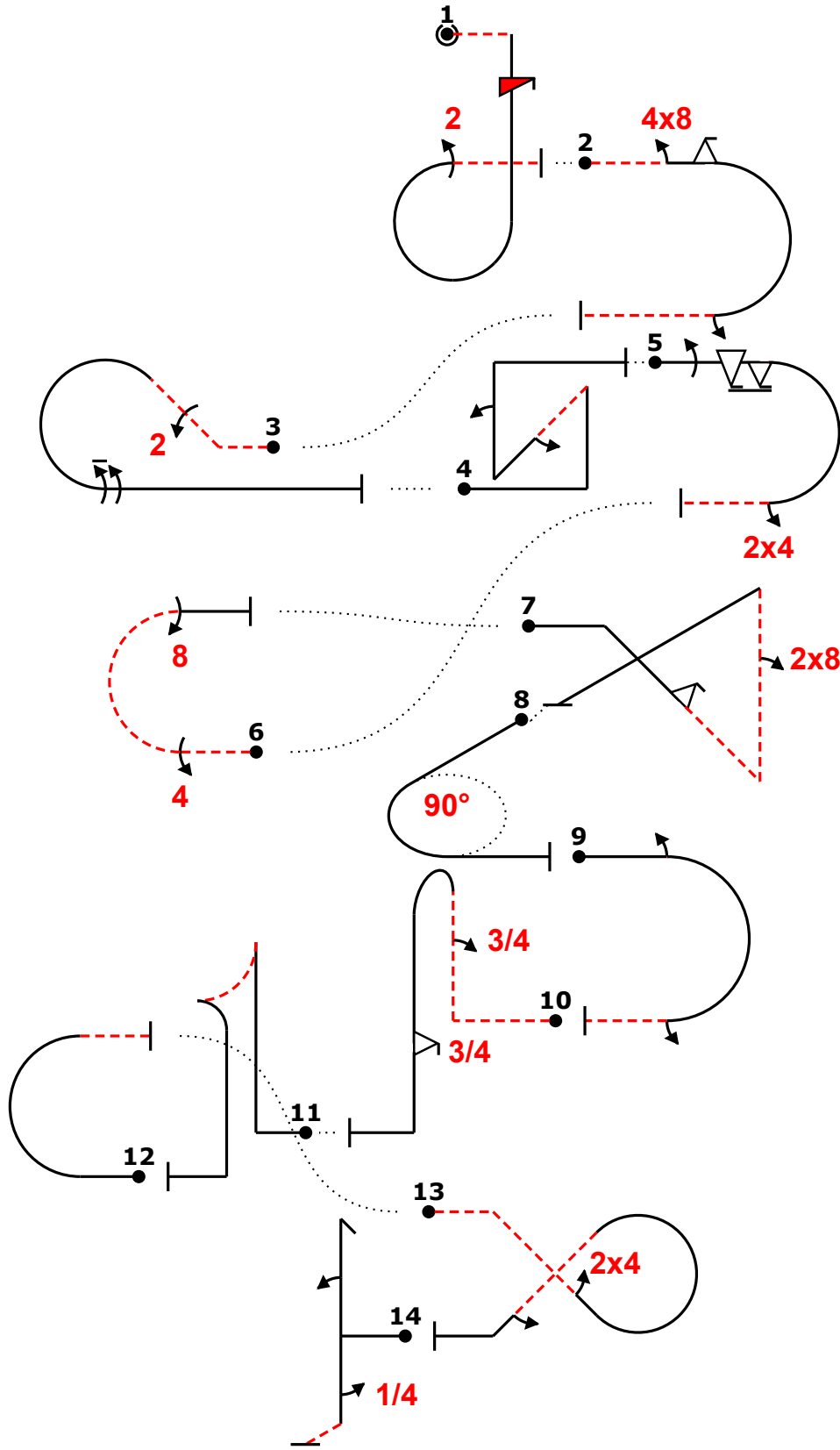
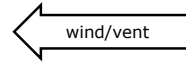
CIVA		Form A
Pilot ID	CIVA Advanced Programme3	Flight #

No	Symbol	Cat. No.	K	Total K	Grade	Pos	Remarks	Item	K	Grade
1		8.6.1.4 9.12.1.4 9.2.3.4	12 7 9	Fig F 28	.			Pos.	30	
2		7.2.2.4 9.8.3.2 9.9.3.2 9.1.3.2	7 7 11 4	Fig C 29	.			Harm.	0	
3		8.5.1.2 9.2.2.4 9.1.3.8	10 11 12	Fig G 33	.			Fig K	316	Total K 346
4		1.3.12.1 9.1.4.2 9.1.1.2	21 4 8	additional 6	.			Penalties		
5		7.2.4.3 9.1.3.4 9.9.3.6 9.4.3.2	6 8 14 5	Fig A 33	.			Too Low		
6		7.2.1.2 9.4.3.4 9.8.3.4	8 11 15	Fig E 34	.			Too High		
7		1.2.3.3 9.9.4.2 9.8.1.1	15 11 7	Fig H 33	.			Interruptions		
8		2.1.1.1	3	additional 6	.			Insertions		
9		7.2.4.3 9.1.3.2 9.1.3.2	6 4 4	additional 6	.			Trg Violation		
10		8.4.4.2 9.1.1.3 9.9.5.3	14 10 11	Fig D 35	.			Wing Rocks		
11		6.2.2.1	15	Fig B 15	.			Disqual Fig		
12		7.2.1.1	6	additional 6	.			Other(note...)		
13		7.3.4.4 9.4.4.2 9.1.4.2	15 5 4	Fig J 24	.			Final Freestyle		
14		5.2.1.3 9.1.1.2 9.1.5.1	18 8 2	Fig I 28	.			Duration	Min	Sec

Prog D Pilot
 A/C



		Form B
Pilot ID	CIVA Advanced Programme3	Flight #

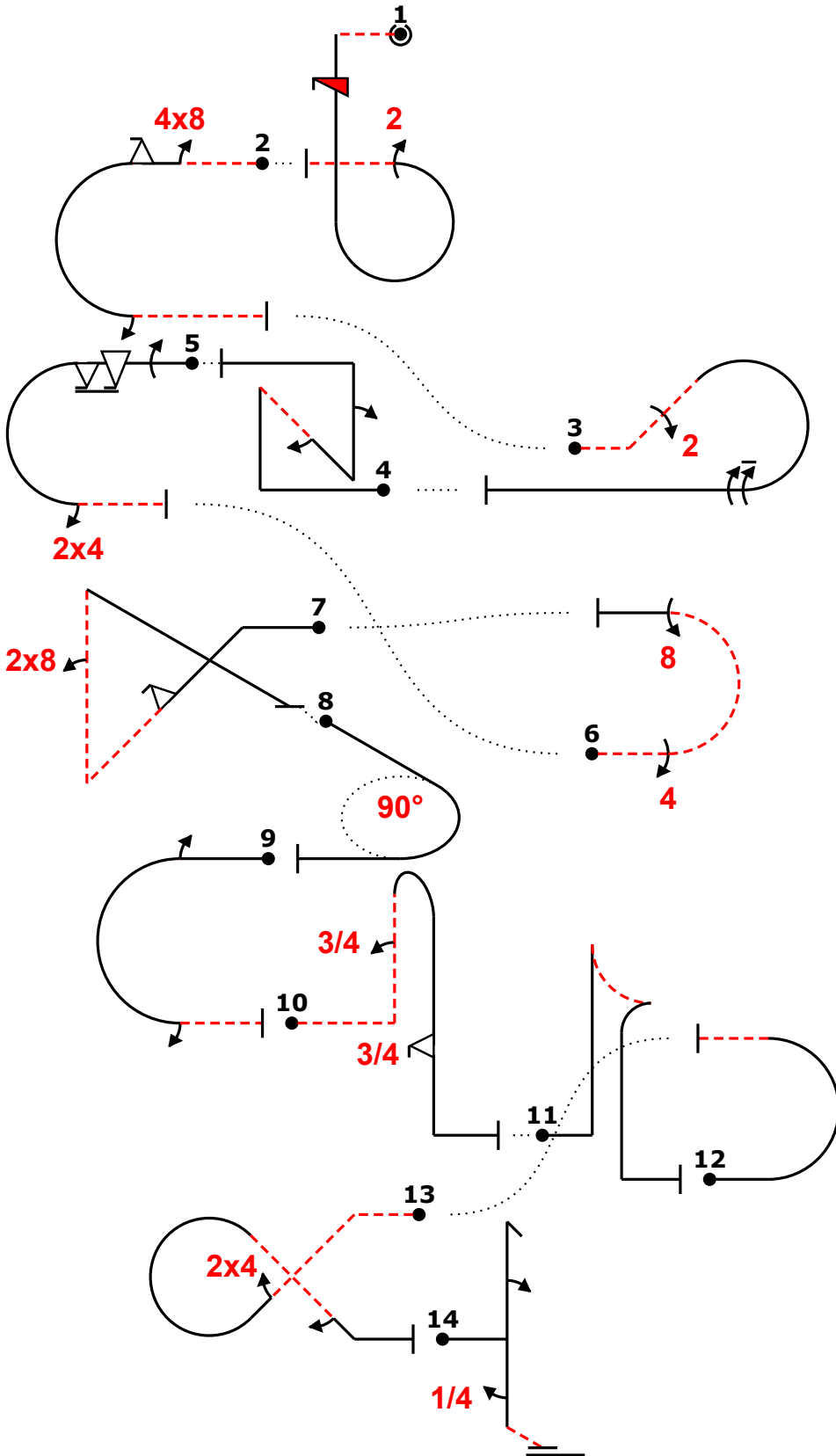
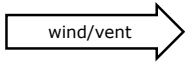


"@P" -'is.irp22- (-1,0) "0C" 3% -48;2fa2-- (-17,9) "0G" 1% ~~~~~ 22`rc9- (3,0) "0L" --+`n(~~~2)`2`+-- (-2,0) "0A" 2% ~`1 ,6fa24-- (-25,17) "0B" 2% -44m,88 (15,1) "0H" 2% '2F'it.,8++++ (1,-1) "0L" ---+j+> "0L" 4% 2a2- "0D" 1% -',3'b'3f'+>> (1,0) "0B" ~~~~~+.'ita+~~~~ "0L" 2% `m- (15,12) "0J" -24ig2 "0I" 2h4-

Prog D
Pilot
A/C



		Form C
Pilot ID	CIVA Advanced Programme3	
	Flight #	



"@P" -'is.irp22- (-1,0) "@C" 3% -48;2fa2-- (-17,9) "@G" 1% ~~~~~ 22`rc9~ (3,0) "@L" --+`n(~~2)`2`+-- (-2,0) "@A" 2% ~1,6fa24-- (-25,17) "@B" 2% -44m,88 (15,1) "@H" 2% '2F'it.,8++++ (1,-1) "@L" ---+j+> "@L" 4% 2a2- "@D" 1% -,3'b'3f'+> (1,0) "@B" ~~~~~+.'ita+~~~~ "@L" 2% `m- (15,12) "@J" -24ig2 "@I" 2h4-

Prog D
Pilot
A/C

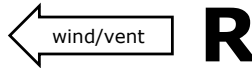


Figure K
316
Total K
346

Judges Name	
Signature	Number

Flight #

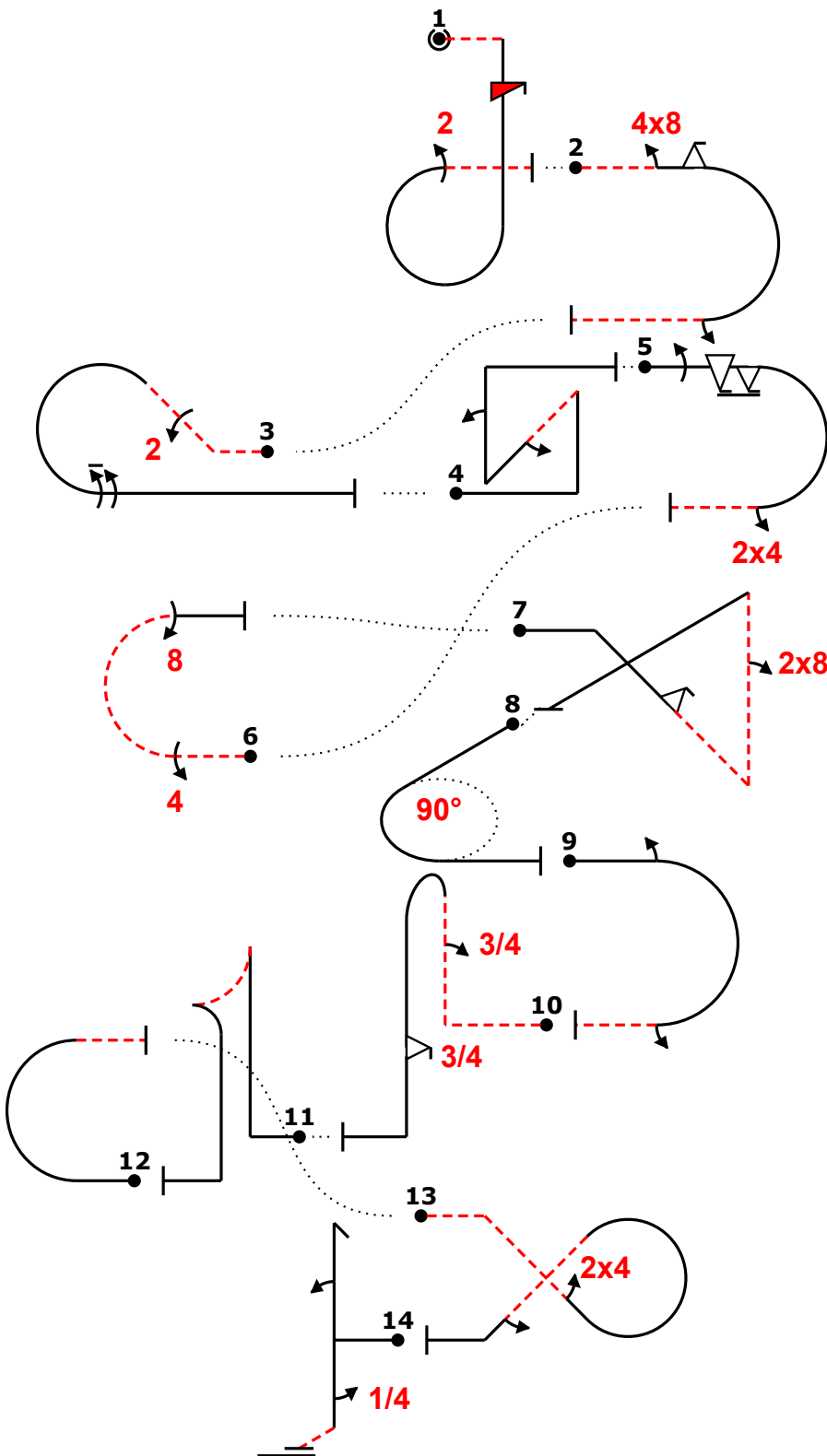


Fig	Grade	Pos	Remarks
1	.		
2	.		
3	.		
4	.		
5	.		
6	.		
7	.		
8	.		
9	.		
10	.		
11	.		
12	.		
13	.		
14	.		

Positioning
30

Too Low		Trg Violation	
Too High		Wing Rocks	
Interruptions		Disqual Fig	
Insertions		Other(note...)	

```
"@P" -'is.irp22- (-1,0) "@C" 3% -48;2fa2-- (-17,9) "@G" 1% ~-~~~~22're9- (3,0) "@L" ~+~n(~~2)
~2"++ (-2,0) "@A" 2% ~1,6fa24-- (-25,17) "@E" 2% -44m,88 (15,1) "@H" 2% '12F'it.,8++++ (1,-1)
"@L" ---+j+> "@L" 4% 2a2- "@B" 1% -,3'b'3f'+>> (1,0) "@B" ~~~~~+,'titat+~ "@L" 2% "m- (15,12) "
@J" -24ig2 "@I" 2h4-
```

Fig	F	K	Fig	2 C	K	Fig	3 G	K	Fig	4 L	K	Fig	5 A	K	Fig	6 E	K	Fig	7 H	K	Fig	8 L	K	Fig	9 L	K	Fig	10 D	K	Fig	11 B	K	Fig	12 L	K	Fig	13 J	K	Fig	14 I	K
8.6.1.4	12	7.2.2.4	7	8.5.1.2	10	1.3.12.1	21	7.2.4.3	6	7.2.1.2	8	1.2.3.3	15	2.1.1.1	3	7.2.4.3	6	8.4.4.2	14	6.2.2.1	15	7.2.1.1	6	7.3.4.4	15	5.2.1.3	18														
9.12.1.4	7	9.8.3.2	7	9.2.2.4	11	9.1.4.2	4	9.1.3.4	8	9.4.3.4	11	9.9.4.2	11			9.1.3.2	4	9.1.1.3	10					9.4.4.2	5	9.1.1.2	8														
9.2.3.4	9	9.9.3.2	11	9.1.3.8	12	9.1.1.2	8	9.9.3.6	14	9.8.3.4	15	9.8.1.1	7			9.1.3.2	4	9.9.5.3	11					9.1.4.2	4	9.1.5.1	2														
	28		29		33		6		33		34		33		6		6		35		15		6		24		28														

Pilot: Proq D

A/C:

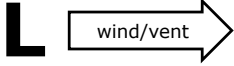


Figure K
316
Total K
346

Judges Name		Flight #
Signature	Number	

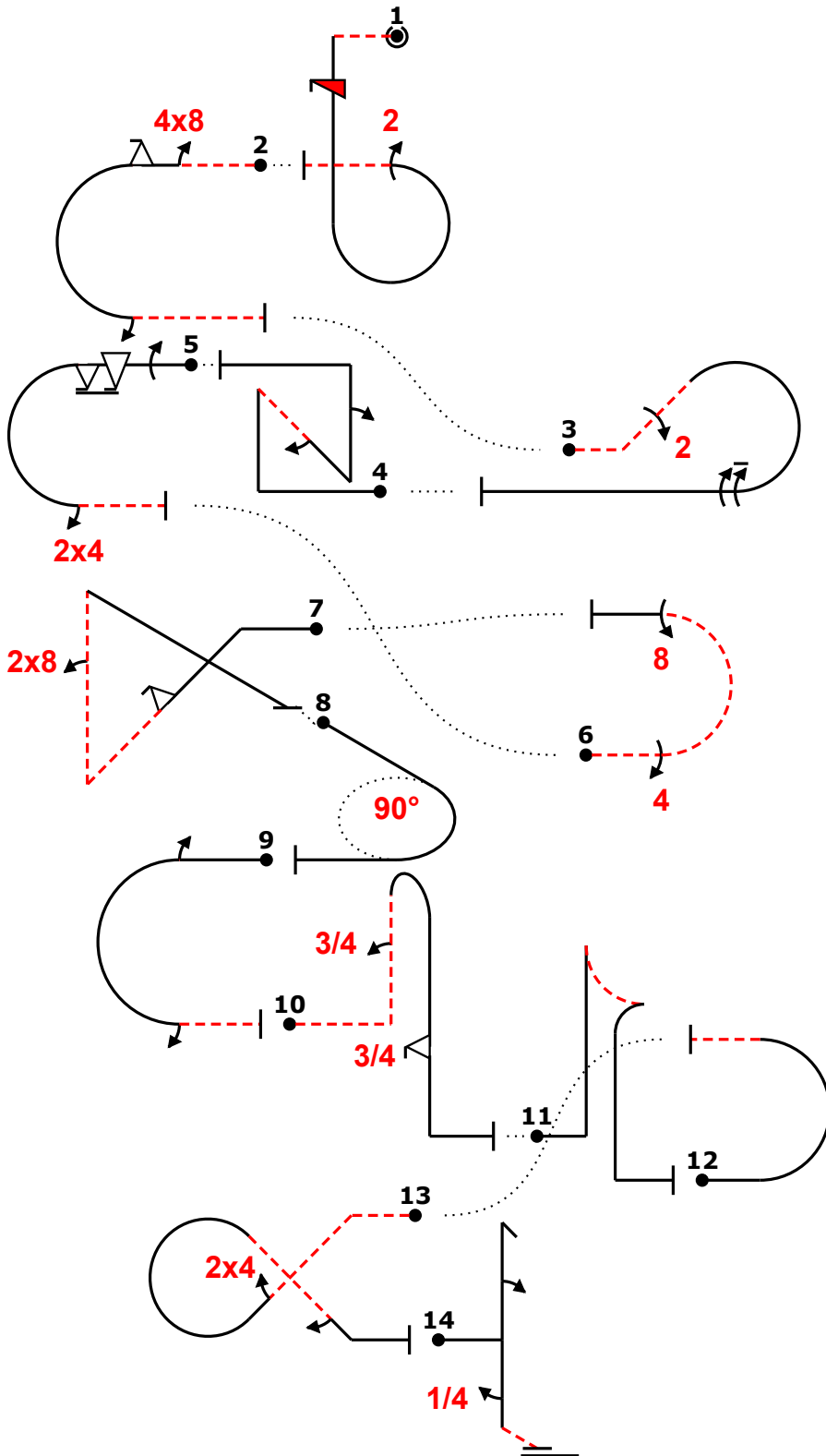


Fig	Grade	Pos	Remarks
1	.		
2	.		
3	.		
4	.		
5	.		
6	.		
7	.		
8	.		
9	.		
10	.		
11	.		
12	.		
13	.		
14	.		

Positioning
30 .

Too Low		Trg Violation	
Too High		Wing Rocks	
Interruptions		Disqual Fig	
Insertions		Other(note...)	

```
"@P" --'is.irp22- (-1,0) "@C" 3% -48;2fa2-- (-17,9) "@G" 1% ~~~~~22're9- (3,0) "@L" ~+~n(~~2)
~2"++ (-2,0) "@A" 2% ~1,6fa24-- (-25,17) "@E" 2% -44m,88 (15,1) "@H" 2% '12F'it.,8++++ (1,-1) "
@L" ~++j+> "@L" 4% 2a2- "@B" 1% ~,3'b'3f'+> (1,0) "@B" ~~~~~+,'it+~ "@L" 2% 'm- (15,12) "
@J" -24ig2 "@I" 2h4-
```

Fig	F	K	Fig	2 C	K	Fig	3 G	K	Fig	4 L	K	Fig	5 A	K	Fig	6 E	K	Fig	7 H	K	Fig	8 L	K	Fig	9 L	K	Fig	10 D	K	Fig	11 B	K	Fig	12 L	K	Fig	13 J	K	Fig	14 I	K
8.6.1.4	12	7.2.2.4	7	8.5.1.2	10	1.3.12.1	21	7.2.4.3	6	7.2.1.2	8	1.2.3.3	15	2.1.1.1	3	7.2.4.3	6	8.4.4.2	14	6.2.2.1	15	7.2.1.1	6	7.3.4.4	15	5.2.1.3	18														
9.12.1.4	7	9.8.3.2	7	9.2.2.4	11	9.1.4.2	4	9.1.3.4	8	9.4.3.4	11	9.9.4.2	11			9.1.3.2	4	9.1.1.3	10					9.4.4.2	5	9.1.1.2	8														
9.2.3.4	9	9.9.3.2	11	9.1.3.8	12	9.1.1.2	8	9.9.3.6	14	9.8.3.4	15	9.8.1.1	7			9.1.3.2	4	9.9.5.3	11					9.1.4.2	4	9.1.5.1	2														
	28		29		33		6		33		34		33		6		6		35		15		6		24		28														

Pilot: Proq D

A/C:

wind/vent ←

