



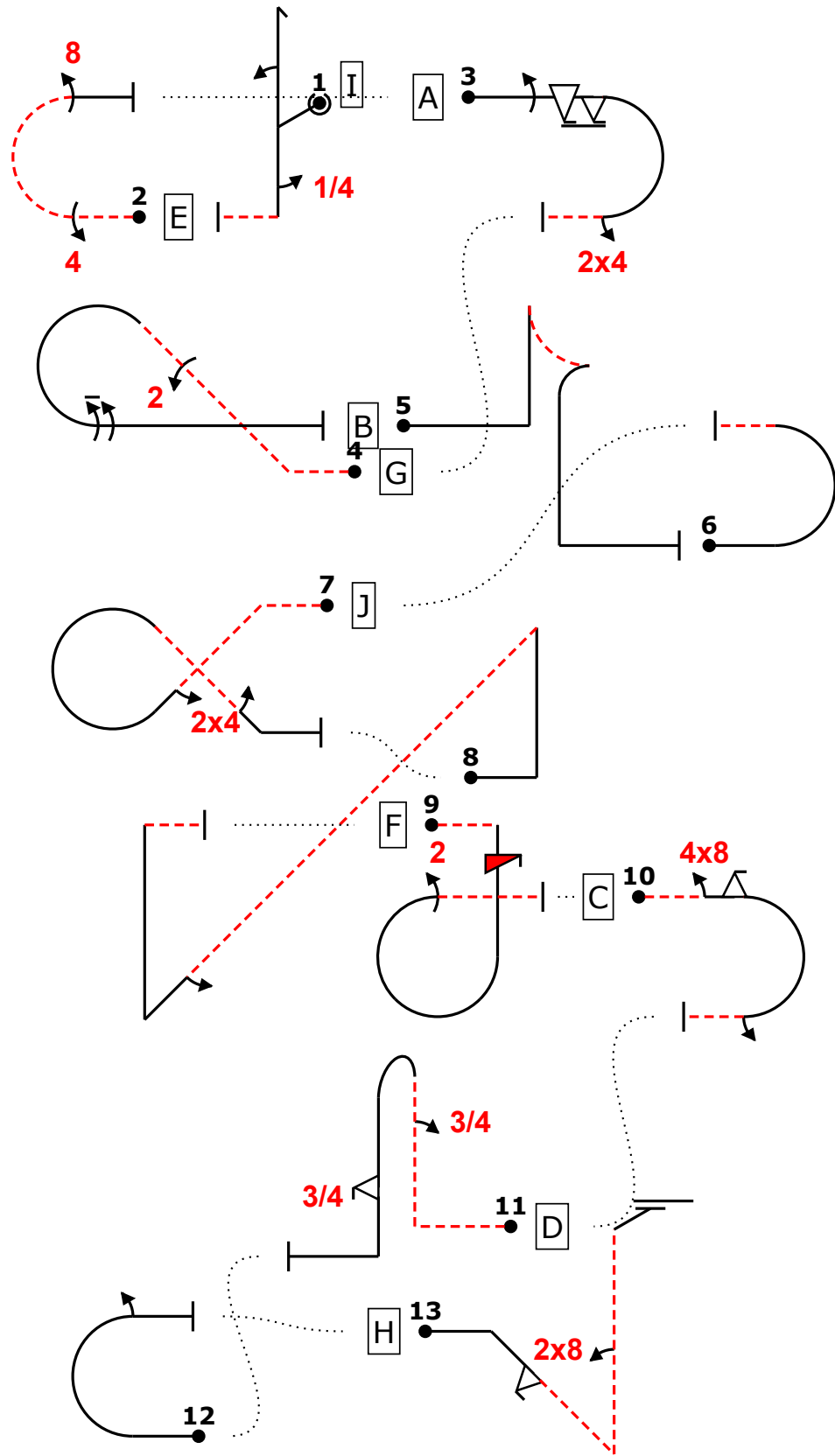
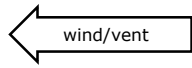
CIVA		Form A
Pilot ID	CIVA Advanced Programme3	Flight #

No	Symbol	Cat. No.	K	Total K	Grade	Pos	Remarks	Item	K	Grade
1		5.2.1.3 9.1.1.2 9.1.5.1	18 8 2	Fig I 28	.			Pos.	30	
2		7.2.1.2 9.4.3.4 9.8.3.4	8 11 15	Fig E 34	.			Harm.	0	
3		7.2.4.3 9.1.3.4 9.9.3.6 9.4.3.2	6 8 14 5	Fig A 33	.			Fig K	316	Total K 346
4		8.5.1.2 9.2.2.4 9.1.3.8	10 11 12	Fig G 33	.			Penalties		
5		6.2.2.1	15	Fig B 15	.			Too Low		
6		7.2.1.1	6	additional 8	.			Too High		
7		7.3.4.4 9.4.4.2 9.1.4.2	15 5 4	Fig J 24	.			Interruptions		
8		1.3.11.1 9.1.4.2	20 4	additional 8	.			Insertions		
9		8.6.1.4 9.12.1.4 9.2.3.4	12 7 9	Fig F 28	.			Trg Violation		
10		7.2.2.4 9.8.3.2 9.9.3.2 9.1.3.2	7 7 11 4	Fig C 29	.			Wing Rocks		
11		8.4.4.2 9.1.1.3 9.9.5.3	14 10 11	Fig D 35	.			Disqual Fig		
12		7.2.2.1 9.1.3.2	6 4	additional 8	.			Other(note...)		
13		1.2.3.3 9.9.4.2 9.8.1.1	15 11 7	Fig H 33	.			Final Freestyle		
								Duration	Min	Sec
								Judges Details		
								Signature		
								Name		
								Number		

Prog C Pilot
 A/C



		Form B
Pilot ID	CIVA Advanced Programme3	
	Flight #	

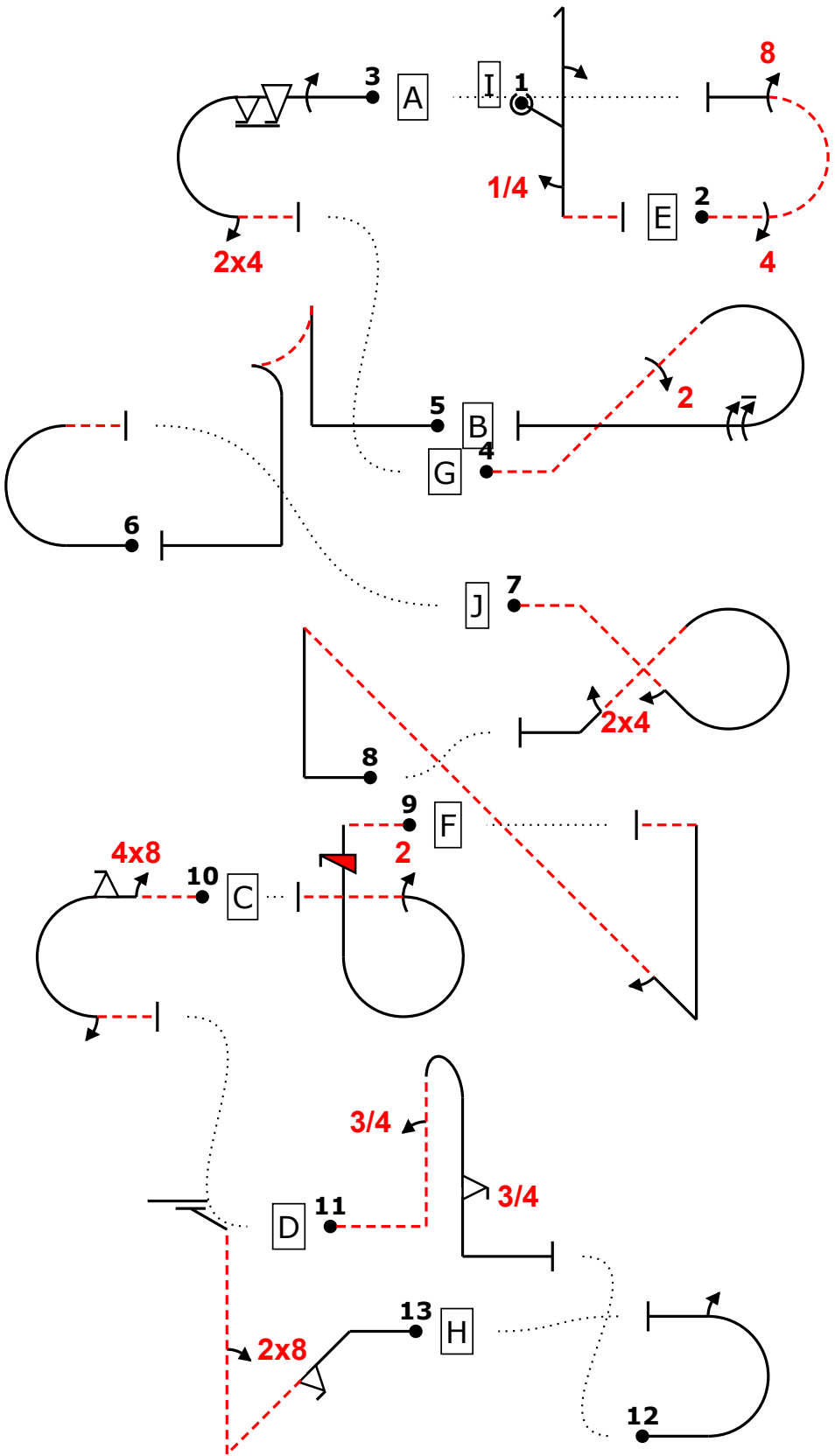
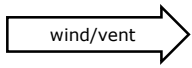


ej "@II" 2h4-> "@EE" -44m88 (15,0) "@AA" 1,6fa24- (-5,17) "@GG" -22rc9 "@BB" ita "@L" m- (-19,12) "@JJ" -24ig2 (6,3) "@L" n(..... '2).- (8,0) "@FF" -isirp22-- (-1,0) "@CC" -48;2fa2- (-4,14) "@DD" -, '3'b,3f> (-2,12) "@L" m2 (8,1) "@HH" ,2f.it.8.'^

Prog C
Pilot
A/C



		Form C
Pilot ID	CIVA Advanced Programme3	
	Flight #	



ej "@II" 2h4-> "@EE" -44m88 (15,0) "@AA" 1,6fa24- (-5,17) "@GG" -22rc9 "@BB" ita "@L" m- (-19,12) "@JJ" -24ig2 (6,3) "@L" n(..... '2).- (8,0) "@FF" -isirp22-- (-1,0) "@CC" -48;2fa2- (-4,14) "@DD" -',3'b,3f> (-2,12) "@L" m2 (8,1) "@HH" ,2f.it.8.'^

Prog C
Pilot
A/C

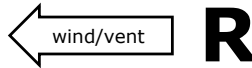


Figure K
316
Total K
346

Judges Name	
Signature	Number

Flight #

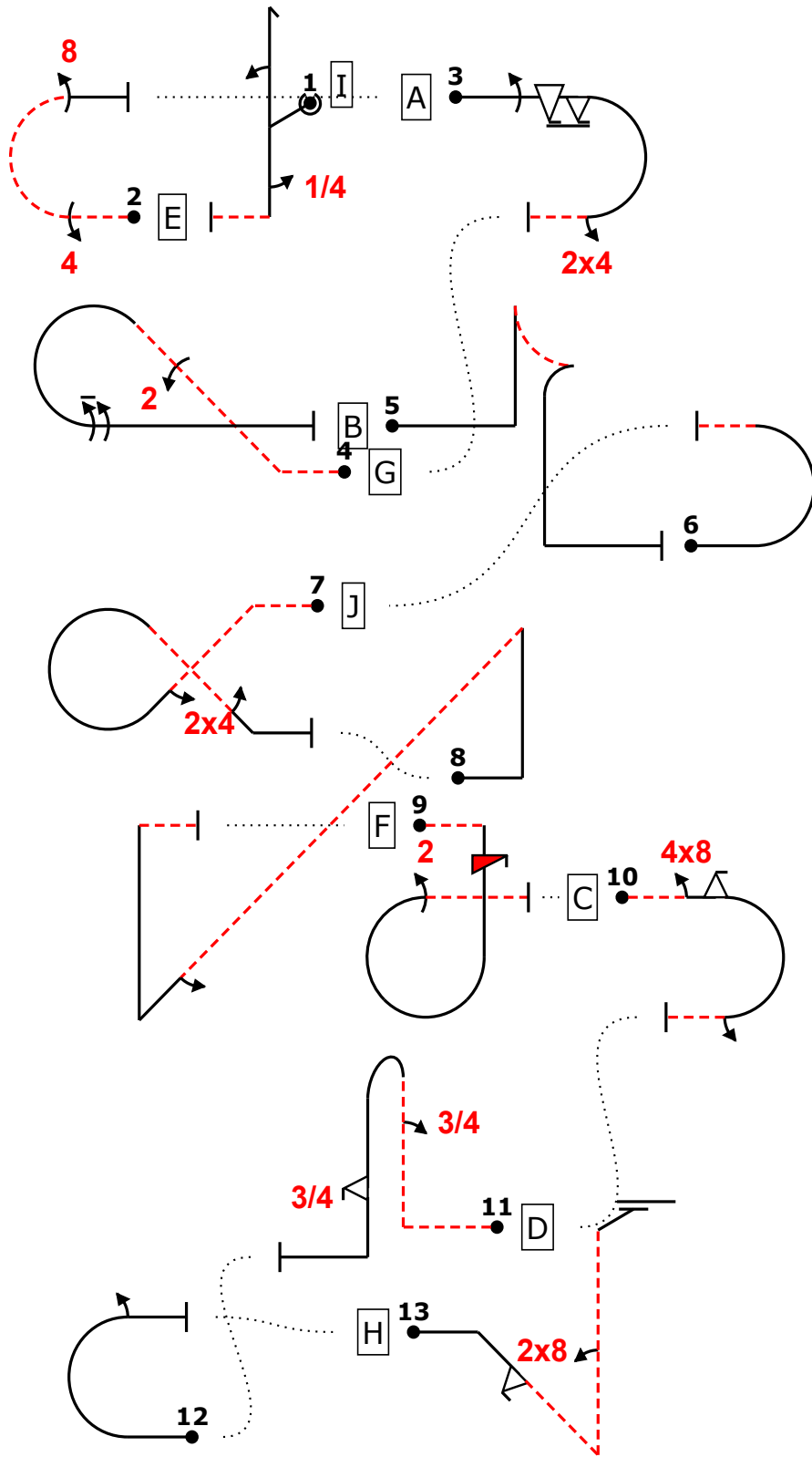


Fig	Grade	Pos	Remarks
1	.		
2	.		
3	.		
4	.		
5	.		
6	.		
7	.		
8	.		
9	.		
10	.		
11	.		
12	.		
13	.		

Positioning	30	.
-------------	----	---

Too Low		Trg Violation	
Too High		Wing Rocks	
Interruptions		Disqual Fig	
Insertions		Other(note...)	

ej "@II" 2h4-> "@EE" -44m88 (15,0) "@AA" 1,6fa24- (-5,17) "@GG" -22rc9 "@BB" ita "@L" m- (-19,12) "@JJ" -24ig2 (6,3) "@L" n(.....'2).- (8,0) "@PF" -isirp22-- (-1,0) "@CC" -48;2fa2- (-4,14) "@BD" -',3'b,3f> (-2,12) "@L" m2 (8,1) "@HH" ,2f.it.8.'^

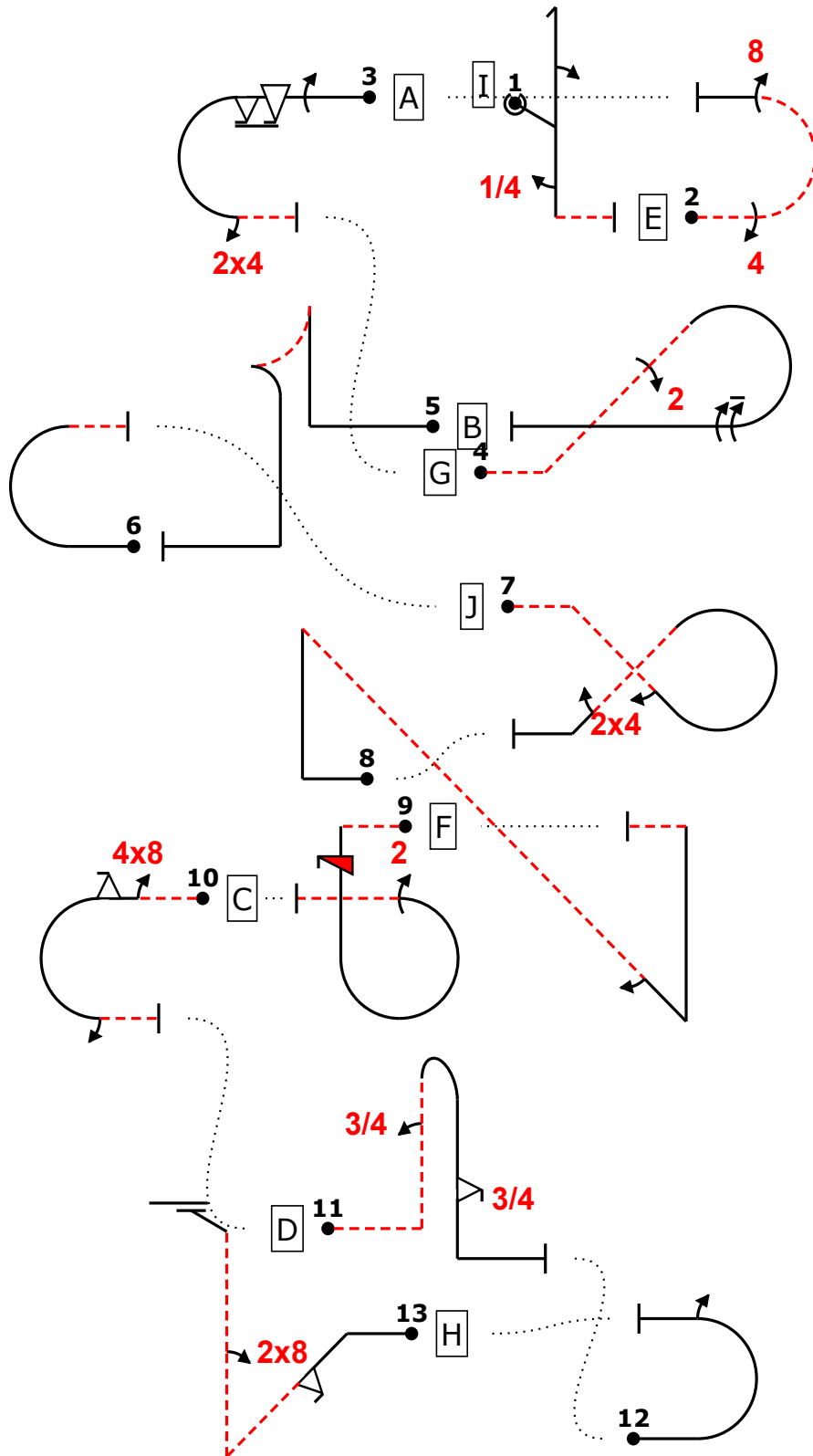
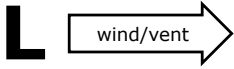
Fig 1 I	K	Fig 2 E	K	Fig 3 A	K	Fig 4 G	K	Fig 5 B	K	Fig 6 L	K	Fig 7 J	K	Fig 8 L	K	Fig 9 F	K	Fig 10 C	K	Fig 11 D	K	Fig 12 L	K	Fig 13 H	K
5.2.1.3	18	7.2.1.2	8	7.2.4.3	6	8.5.1.2	10	6.2.2.1	15	7.2.1.1	6	7.3.4.4	15	1.3.11.1	20	8.6.1.4	12	7.2.2.4	7	8.4.4.2	14	7.2.2.1	6	1.2.3.3	15
9.1.1.2	8	9.4.3.4	11	9.1.3.4	8	9.2.2.4	11					9.4.4.2	5	9.1.4.2	4	9.12.1.4	7	9.8.3.2	7	9.1.1.3	10	9.1.3.2	4	9.9.4.2	11
9.1.5.1	2	9.8.3.4	15	9.9.3.6	14	9.1.3.8	12					9.1.4.2	4			9.2.3.4	9	9.9.3.2	11	9.9.5.3	11			9.8.1.1	7
	28		34	9.4.3.2	5		33		15		8		24		8		28	9.1.3.2	4		35		8	33	

Pilot: Proq C

A/C:



Judges Name		Flight #
Signature	Number	



ej "@II" 2h4-> "@EE" -44m88 (15,0) "@AA" 1,6fa24- (-5,17) "@GG" -22rc9 "@BB" ita "@L" m- (-19,12) "@JJ" -24ig2 (6,3) "@L" n(.....'2).- (8,0) "@PF" -isirp22-- (-1,0) "@CC" -48;2fa2- (-4,14) "@BD" -',3'b,3f> (-2,12) "@L" m2 (8,1) "@HH",2f.it.8.'^

Fig	Grade	Pos	Remarks
1	.		
2	.		
3	.		
4	.		
5	.		
6	.		
7	.		
8	.		
9	.		
10	.		
11	.		
12	.		
13	.		

Positioning	30	.
-------------	----	---

Too Low		Trg Violation	
Too High		Wing Rocks	
Interruptions		Disqual Fig	
Insertions		Other(note...)	

Fig 1 I	K	Fig 2 E	K	Fig 3 A	K	Fig 4 G	K	Fig 5 B	K	Fig 6 L	K	Fig 7 J	K	Fig 8 L	K	Fig 9 F	K	Fig 10 C	K	Fig 11 D	K	Fig 12 L	K	Fig 13 H	K
5.2.1.3	18	7.2.1.2	8	7.2.4.3	6	8.5.1.2	10	6.2.2.1	15	7.2.1.1	6	7.3.4.4	15	1.3.11.1	20	8.6.1.4	12	7.2.2.4	7	8.4.4.2	14	7.2.2.1	6	1.2.3.3	15
9.1.1.2	8	9.4.3.4	11	9.1.3.4	8	9.2.2.4	11					9.4.4.2	5	9.1.4.2	4	9.12.1.4	7	9.8.3.2	7	9.1.1.3	10	9.1.3.2	4	9.9.4.2	11
9.1.5.1	2	9.8.3.4	15	9.9.3.6	14	9.1.3.8	12					9.1.4.2	4			9.2.3.4	9	9.9.3.2	11	9.9.5.3	11			9.8.1.1	7
	28		34	9.4.3.2	5		33		15		8		24		8		28	9.1.3.2	4		35		8	33	

Pilot: Proq C

A/C:

wind/vent ←

