



CIVA		Form A
Pilot ID	<b>CIVA Advanced Programme2</b>	Flight #

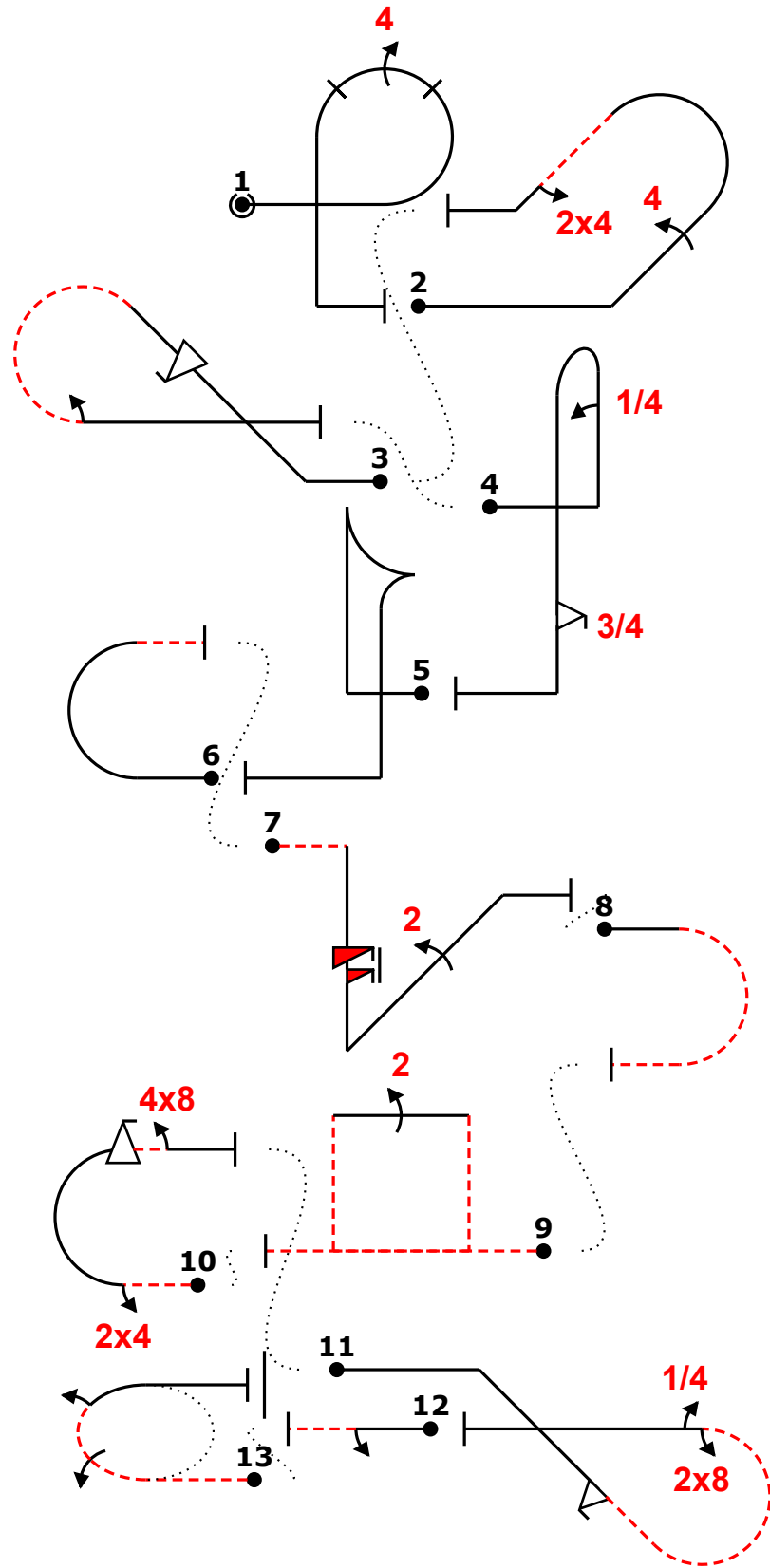
No	Symbol	Cat. No.	K	Total K	Grade	Pos	Remarks	Item	K	Grade
1		8.6.5.1 9.4.3.4	11 11	Fig A <b>22</b>	.			Pos.	30	
2		8.4.14.1 9.4.2.4 9.4.4.2	12 13 5	Fig G <b>30</b>	.			Harm.	0	
3		8.5.3.1 9.9.2.4 9.1.3.2	12 13 4	Fig F <b>29</b>	.			Fig K	292	Total K 322
4		8.4.1.1 9.1.1.1 9.9.5.3	13 6 11	Fig J <b>30</b>	.			<b>Penalties</b>		
5		6.2.1.1	15	Fig E <b>15</b>	.			Too Low		
6		7.2.1.1	6	additional <b>8</b>	.			Too High		
7		1.2.5.4 9.12.1.6 9.2.2.4	14 5 11	Fig C <b>30</b>	.			Interruptions		
8		7.2.1.3	8	additional <b>8</b>	.			Insertions		
9		7.4.3.2 9.2.3.4	19 9	Fig H <b>28</b>	.			Trg Violation		
10		7.2.4.2 9.4.3.2 9.9.3.4 9.8.3.2	6 5 11 7	Fig D <b>29</b>	.			Wing Rocks		
11		8.5.2.3 9.9.4.2 9.8.3.1 9.1.3.1	13 11 3 2	Fig B <b>29</b>	.			Disqual Fig		
12		1.1.1.3 9.1.3.2	2 4	additional <b>8</b>	.			Other(note...)		
13		2.2.3.4	26	Fig I <b>26</b>	.			<b>Final Freestyle</b>		
								Duration	Min	Sec
								<b>Judges Details</b>		
								Signature		
								Name		
								Number		

**Prog F** ..... Pilot  
 ..... A/C



		Form B
Pilot ID	CIVA Advanced Programme2	Flight #

← wind/vent

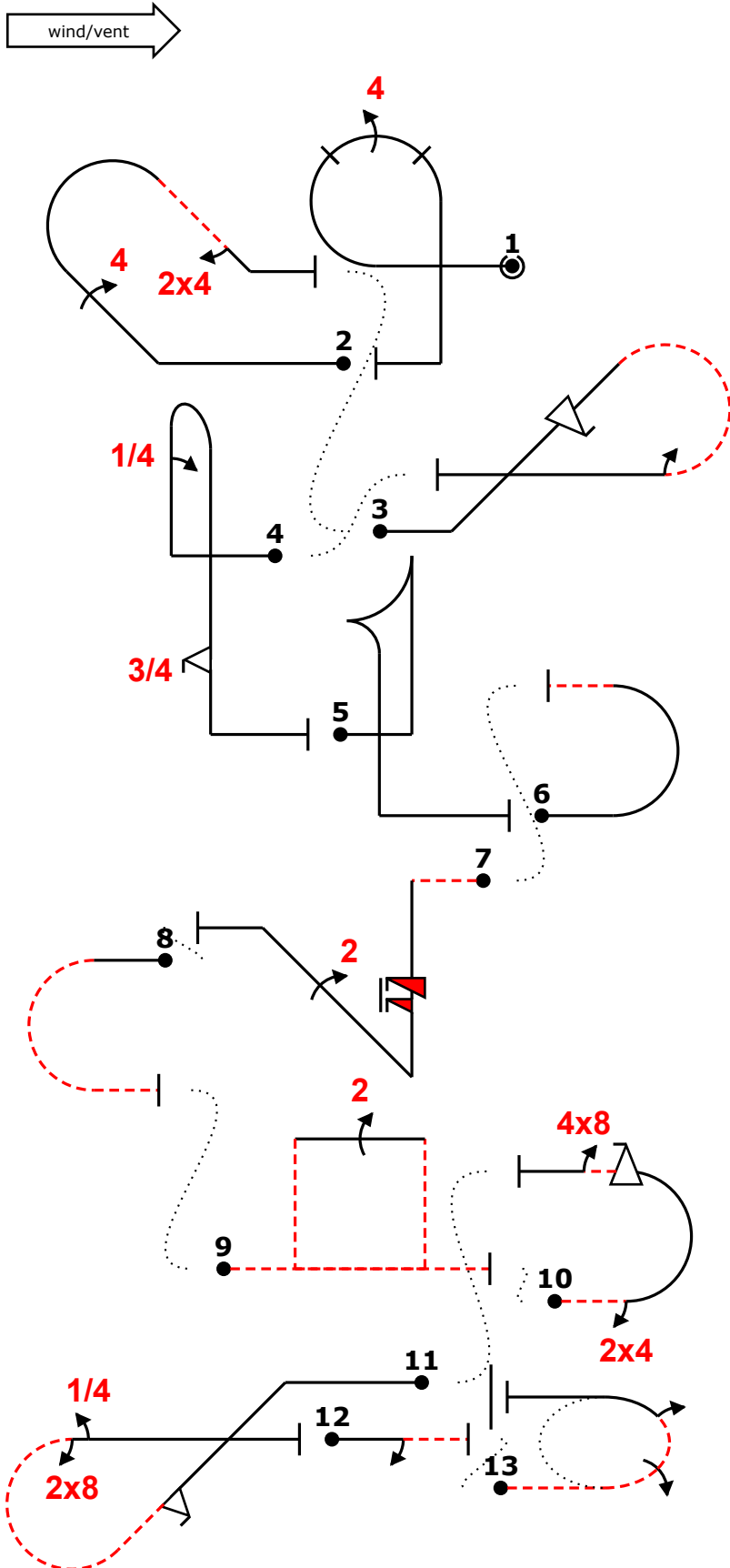


"@A" p(,44) "@G" `+44db24 (0,16) "@F" frc2 (6,5) "@J" "| "4b..'3f "@B" ~~~~+ta "@L" m- (0,12) "@C" -6isik22`~` (-2,2) "@L" a - (0,11) "@H" -qo22- (0,2) "@D" -24mf;48 (2,13) "@B" --,2firc8,4+ "@L" 2- (2,3) "@I" -2jo15>

Prog F  
Pilot  
A/C



		Form C
Pilot ID	CIVA Advanced Programme2	
	Flight #	



"@A" p(,44) "@G" `+44db24 (0,16) "@F" frc2 (6,5) "@J" "|"4b..'3f "@B" ~~~~+ta "@L" m- (0,12) "@C" -6isik22`~` (-2,2) "@L" a - (0,11) "@H" -qo22- (0,2) "@D" -24mf;48 (2,13) "@B" ~+,2firc8,4+ "@L" 2- (2,3) "@I" -2jo15>

Prog F  
Pilot  
A/C

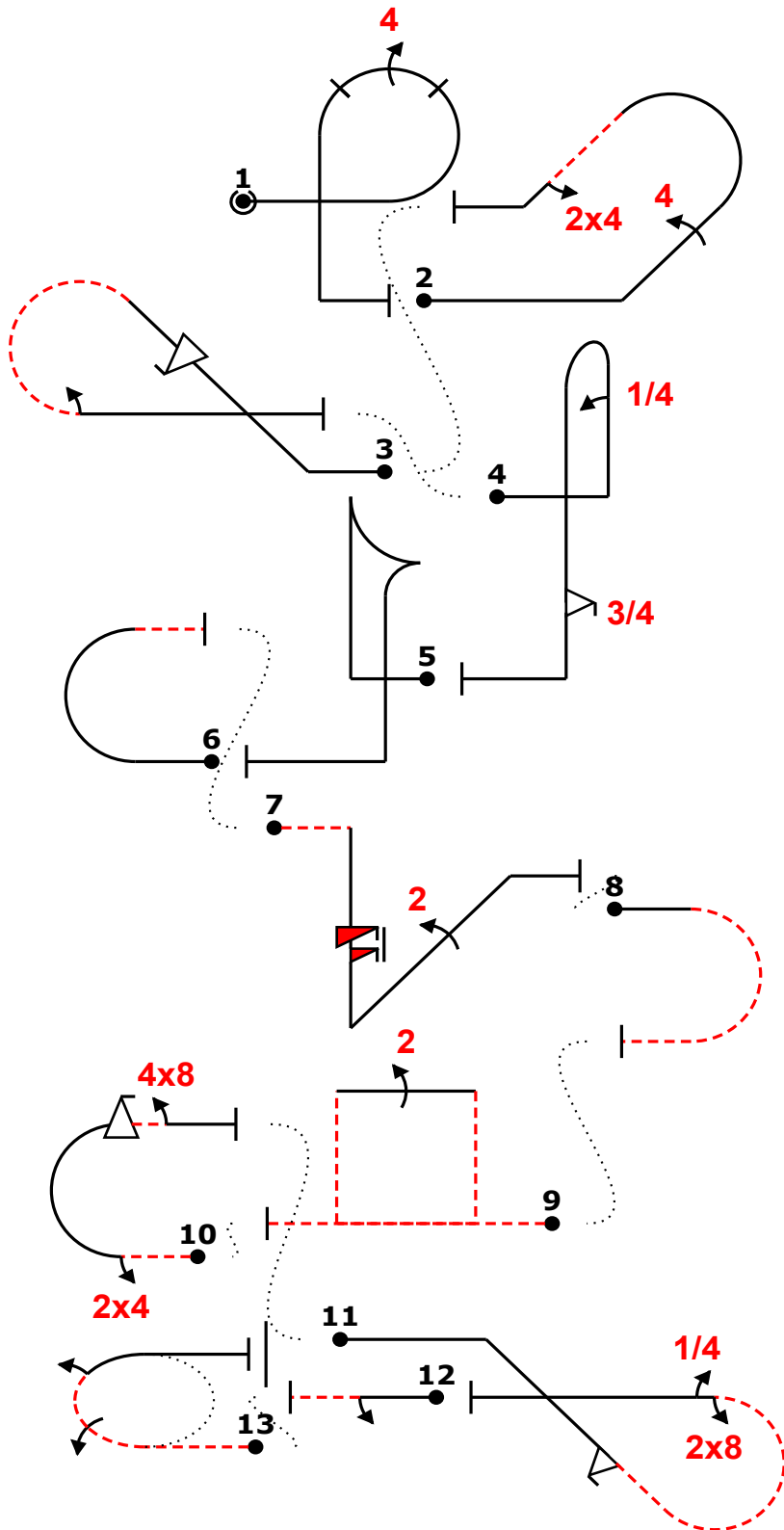


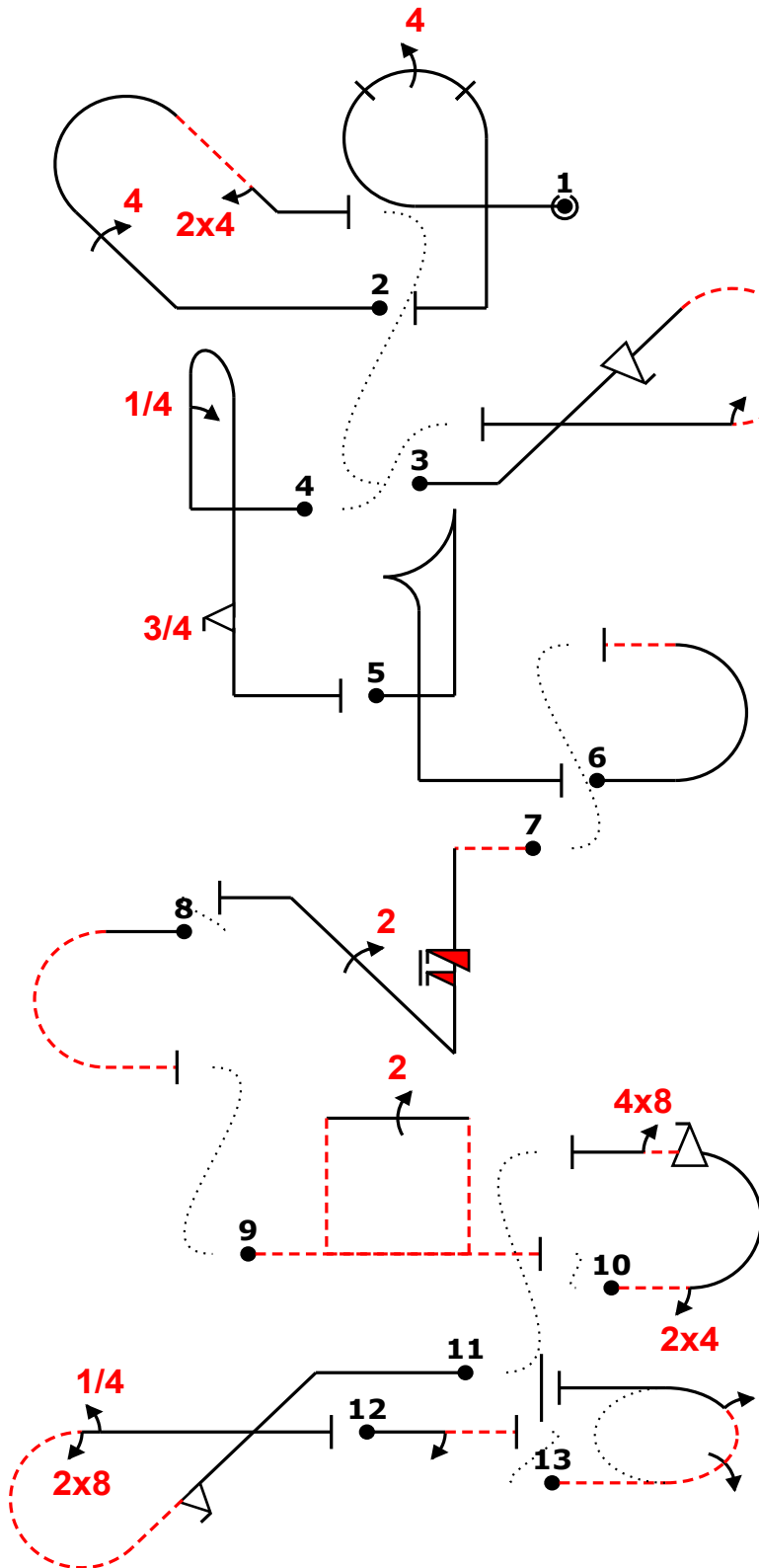
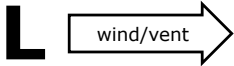
Fig	Grade	Pos	Remarks
1	.		
2	.		
3	.		
4	.		
5	.		
6	.		
7	.		
8	.		
9	.		
10	.		
11	.		
12	.		
13	.		

Positioning  
30

Too Low		Trg Violation	
Too High		Wing Rocks	
Interruptions		Disqual Fig	
Insertions		Other(note...)	

"@A" p(,44) "@G" ^+44db24 (0,16) "@F" frc2 (6,5) "@J" "|4b..3f "@E" ~~~~~+ta "@L" m- (0,12) "@C" -6isik22^~ (-2,2) "@L" a- (0,11) "@H" -qo22- (0,2) "@D" -24mf;48 (2,13) "@B" ~+,2firc8,4+ "@L" 2-(2,3) "@I" -2jo15>

Fig 1 A	K	Fig 2 G	K	Fig 3 F	K	Fig 4 J	K	Fig 5 E	K	Fig 6 L	K	Fig 7 C	K	Fig 8 L	K	Fig 9 H	K	Fig 10 D	K	Fig 11 B	K	Fig 12 L	K	Fig 13 I	K
8.6.5.1	11	8.4.14.1	12	8.5.3.1	12	8.4.1.1	13	6.2.1.1	15	7.2.1.1	6	1.2.5.4	14	7.2.1.3	8	7.4.3.2	19	7.2.4.2	6	8.5.2.3	13	1.1.1.3	2	2.2.3.4	26
9.4.3.4	11	9.4.2.4	13	9.9.2.4	13	9.1.1.1	6					9.12.1.6	5			9.2.3.4	9	9.4.3.2	5	9.9.4.2	11	9.1.3.2	4		
		9.4.4.2	5	9.1.3.2	4	9.9.5.3	11					9.2.2.4	11					9.9.3.4	11	9.8.3.1	3				
	22		30		29		30		15		8		30		8		28		9.8.3.2	7	9.1.3.1	2		8	26



"@A" p(,44) "@G" >+44db24 (0,16) "@F" frc2 (6,5) "@J" "| "4b..3f "@E" ~~~~~+ta "@L" m- (0,12) "@C" -6isik22~ (-2,2) "@L" a- (0,11) "@H" -qo22- (0,2) "@D" -24mf;48 (2,13) "@B" ~+,2firc8,4+ "@L" 2- (2,3) "@I" -2jo15>

Fig	Grade	Pos	Remarks
1	.		
2	.		
3	.		
4	.		
5	.		
6	.		
7	.		
8	.		
9	.		
10	.		
11	.		
12	.		
13	.		

Positioning  
30

Too Low		Trg Violation	
Too High		Wing Rocks	
Interruptions		Disqual Fig	
Insertions		Other(note...)	

Fig 1 A	K	Fig 2 G	K	Fig 3 F	K	Fig 4 J	K	Fig 5 E	K	Fig 6 L	K	Fig 7 C	K	Fig 8 L	K	Fig 9 H	K	Fig 10 D	K	Fig 11 B	K	Fig 12 L	K	Fig 13 I	K
8.6.5.1	11	8.4.14.1	12	8.5.3.1	12	8.4.1.1	13	6.2.1.1	15	7.2.1.1	6	1.2.5.4	14	7.2.1.3	8	7.4.3.2	19	7.2.4.2	6	8.5.2.3	13	1.1.1.3	2	2.2.3.4	26
9.4.3.4	11	9.4.2.4	13	9.9.2.4	13	9.1.1.1	6					9.12.1.6	5			9.2.3.4	9	9.4.3.2	5	9.9.4.2	11	9.1.3.2	4		
		9.4.4.2	5	9.1.3.2	4	9.9.5.3	11					9.2.2.4	11					9.9.3.4	11	9.8.3.1	3				
	22		30		29		30		15		8		30		8		28		29		29		8	26	

wind/vent ←

