



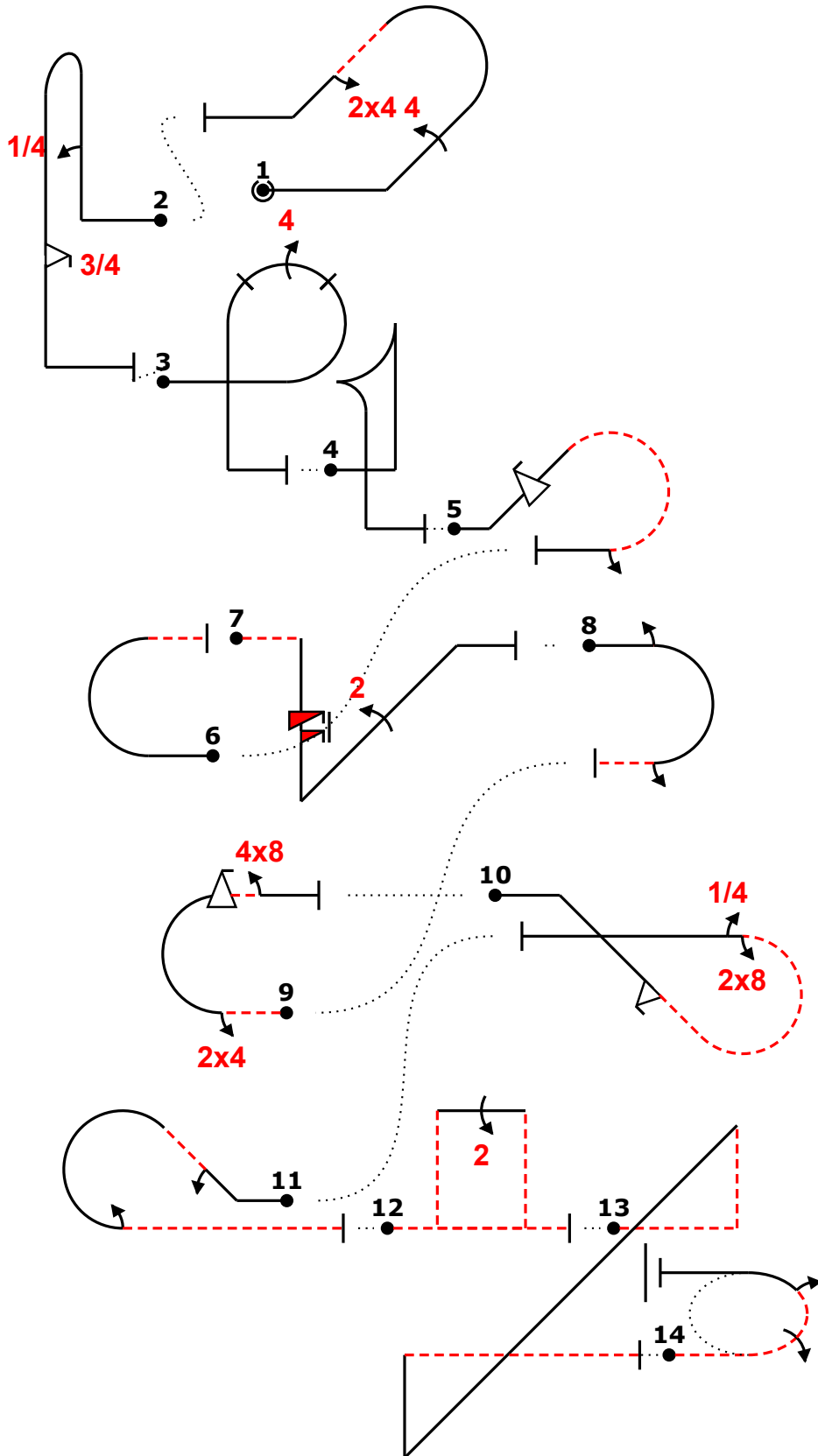
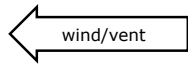
CIVA		Form A
Pilot ID	CIVA Advanced Programme2	Flight #

No	Symbol	Cat. No.	K	Total K	Grade	Pos	Remarks	Item	K	Grade
1		8.4.14.1 9.4.2.4 9.4.4.2	12 13 5	Fig G 30	.			Pos.	30	
2		8.4.1.1 9.1.1.1 9.9.5.3	13 6 11	Fig J 30	.			Harm.	0	
3		8.6.5.1 9.4.3.4	11 11	Fig A 22	.			Fig K	292	Total K 322
4		6.2.1.1	15	Fig E 15	.			Penalties		
5		8.5.3.1 9.9.2.4 9.1.3.2	12 13 4	Fig F 29	.			Too Low		
6		7.2.1.1	6	additional 6	.			Too High		
7		1.2.5.4 9.12.1.6 9.2.2.4	14 5 11	Fig C 30	.			Interruptions		
8		7.2.4.3 9.1.3.2 9.1.3.2	6 4 4	additional 6	.			Insertions		
9		7.2.4.2 9.4.3.2 9.9.3.4 9.8.3.2	6 5 11 7	Fig D 29	.			Trg Violation		
10		8.5.2.3 9.9.4.2 9.8.3.1 9.1.3.1	13 11 3 2	Fig B 29	.			Wing Rocks		
11		8.5.4.1 9.1.2.2 9.1.3.2	11 6 4	additional 6	.			Disqual Fig		
12		7.4.3.2 9.2.3.4	19 9	Fig H 28	.			Other(note...)		
13		1.3.9.2	24	additional 6	.			Final Freestyle		
14		2.2.3.4	26	Fig I 26	.			Duration	Min	Sec
								Judges Details		
								Signature		
								Name		
								Number		

Prog D Pilot
 A/C



		Form B
Pilot ID	CIVA Advanced Programme2	
	Flight #	

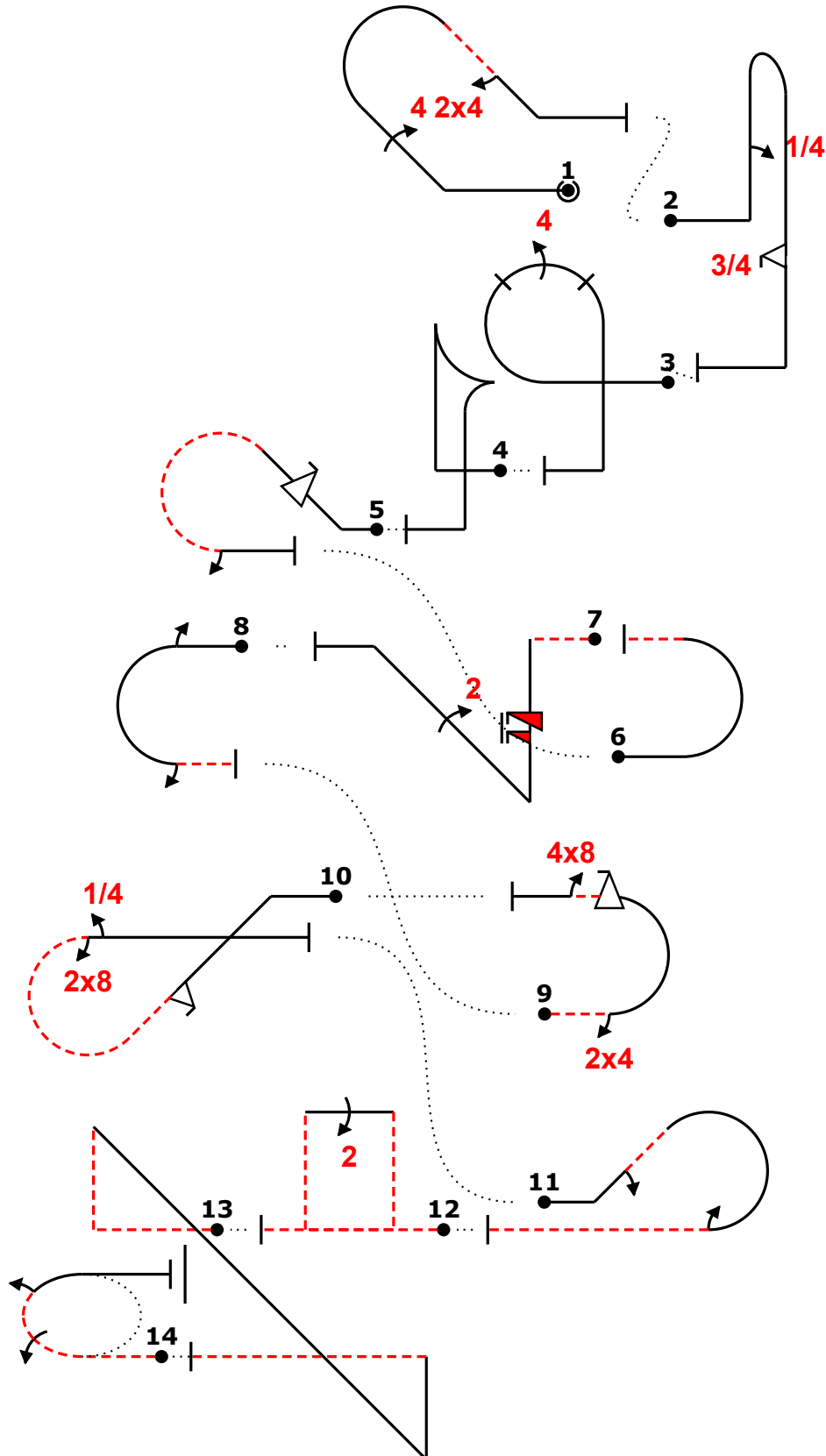
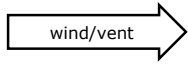


```
"@G" +44'db^24'-- (1,7) "@J" +4.b.'3f. (-2,1) "@A" p(,44) (-1,0) "@E" +''ta^+---- (-2,0) "@F" +----- f^rc2+
(-18,14) "@L" m- "@C" -6isik22 (1,0) "@L" 2a2- (-17,17) "@D" -24mf;48 (8,0) "@B" ^,2firc8,4 (-12,18) "@L" +
^2rc2-- (-1,0) "@H" -go^22 (1,0) "@L" -pn(.....) (-2,0) "@I" -2jo15>
```

Prog D Pilot
A/C



		Form C
Pilot ID	CIVA Advanced Programme2	Flight #



```
"@G" +44'db`24' (1,7) "@J" +4.b.'13f. (-2,1) "@A" p(,44) (-1,0) "@E" +''ta' + (-2,0) "@F" +''f'rc2+
(-18,14) "@L" m- "@C" -6isik22` (1,0) "@L" 2a2- (-17,17) "@D" -24mf;48 (8,0) "@B" `2firc8,4 (-12,18) "@L" +
2rc2-- (-1,0) "@H" -go`22` (-1,0) "@L" -pn(.....) (-2,0) "@I" -2jo15>
```

Prog D Pilot
A/C

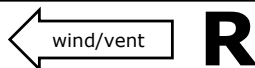


Figure K
292
Total K
322

Judges Name	
Signature	Number

Flight #

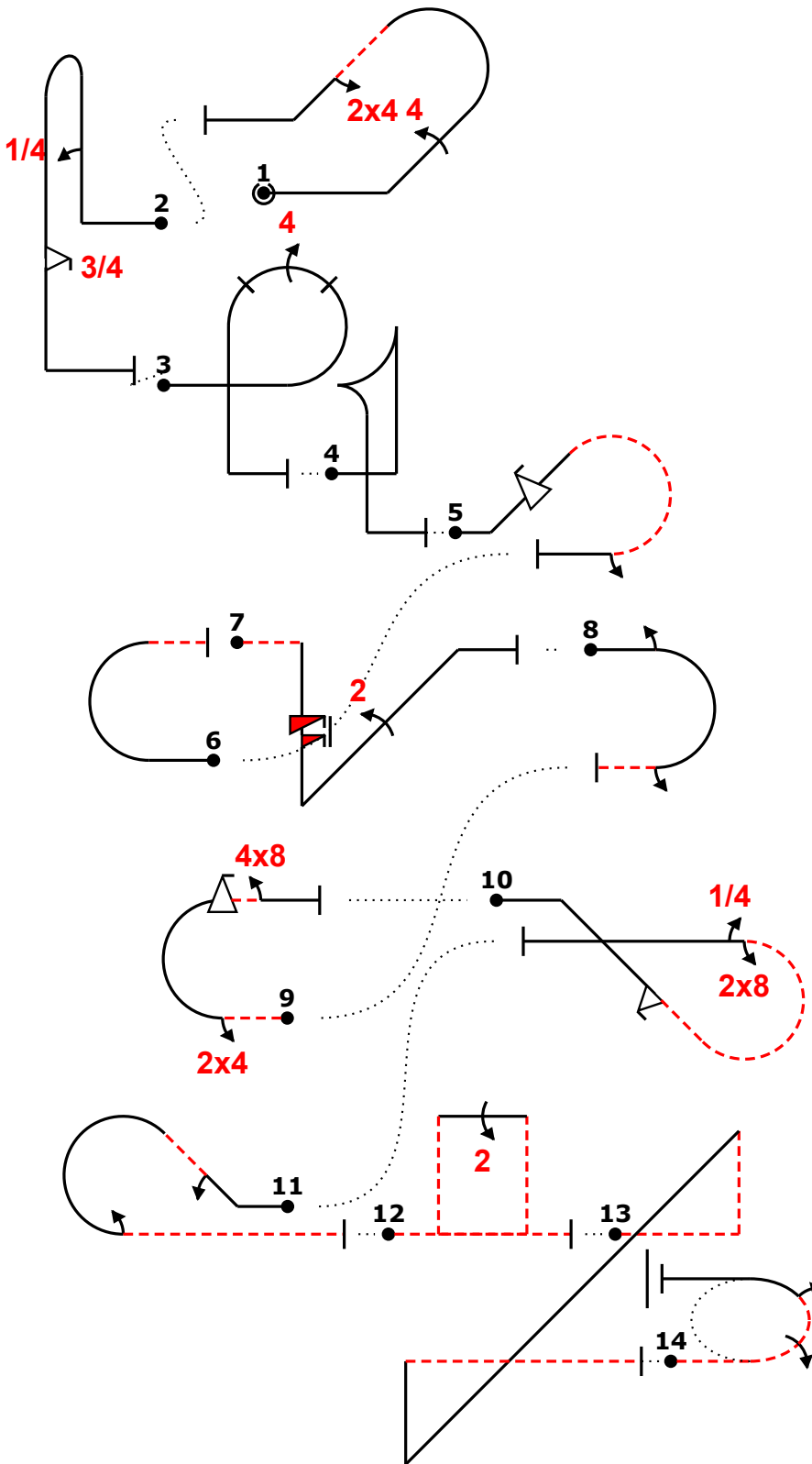


Fig	Grade	Pos	Remarks
1	.		
2	.		
3	.		
4	.		
5	.		
6	.		
7	.		
8	.		
9	.		
10	.		
11	.		
12	.		
13	.		
14	.		

Positioning
30

Too Low		Trg Violation	
Too High		Wing Rocks	
Interruptions		Disqual Fig	
Insertions		Other(note...)	

```
"EG" ~~~~~+44`db`24'~~~ (1,7) "eJ" ~+4.b.'`3f. (-2,1) "eA" p(,44) (-1,0) "eE" ~~~~~+'ta'+~~~~ (-2,0) "eF" ~~~~~+f`rc2+~~~~~ (-18,14) "eL" m- "eC" ~-6isik22` (1,0) "eL" 2a2- (-17,17) "eD" ~-2 4mf;48 (8,0) "eB" ~,2firc8,4 (-12,18) "eL" ~+~~~~2rc2-- (-1,0) "eH" ~-go`22'~ (-1,0) "eL" ~-~pn(.....'')~~~~~ (-2,0) "eI" ~-2jo15>
```

Fig 1 G	K	Fig 2 J	K	Fig 3 A	K	Fig 4 E	K	Fig 5 F	K	Fig 6 L	K	Fig 7 C	K	Fig 8 L	K	Fig 9 D	K	Fig 10 B	K	Fig 11 L	K	Fig 12 H	K	Fig 13 L	K	Fig 14 I	K
8.4.14.1	12	8.4.1.1	13	8.6.5.1	11	6.2.1.1	15	8.5.3.1	12	7.2.1.1	6	1.2.5.4	14	7.2.4.3	6	7.2.4.2	6	8.5.2.3	13	8.5.4.1	11	7.4.3.2	19	1.3.9.2	24	2.2.3.4	26
9.4.2.4	13	9.1.1.1	6	9.4.3.4	11			9.9.2.4	13			9.12.1.6	5	9.1.3.2	4	9.4.3.2	5	9.9.4.2	11	9.1.2.2	6	9.2.3.4	9				
9.4.4.2	5	9.9.5.3	11					9.1.3.2	4			9.2.2.4	11	9.1.3.2	4	9.9.3.4	11	9.8.3.1	3	9.1.3.2	4						
	30		30		22		15		29		6		30		6		29		29		6		28		6		26

Pilot: Proq D

A/C:



Judges Name	
Signature	Number

Flight #

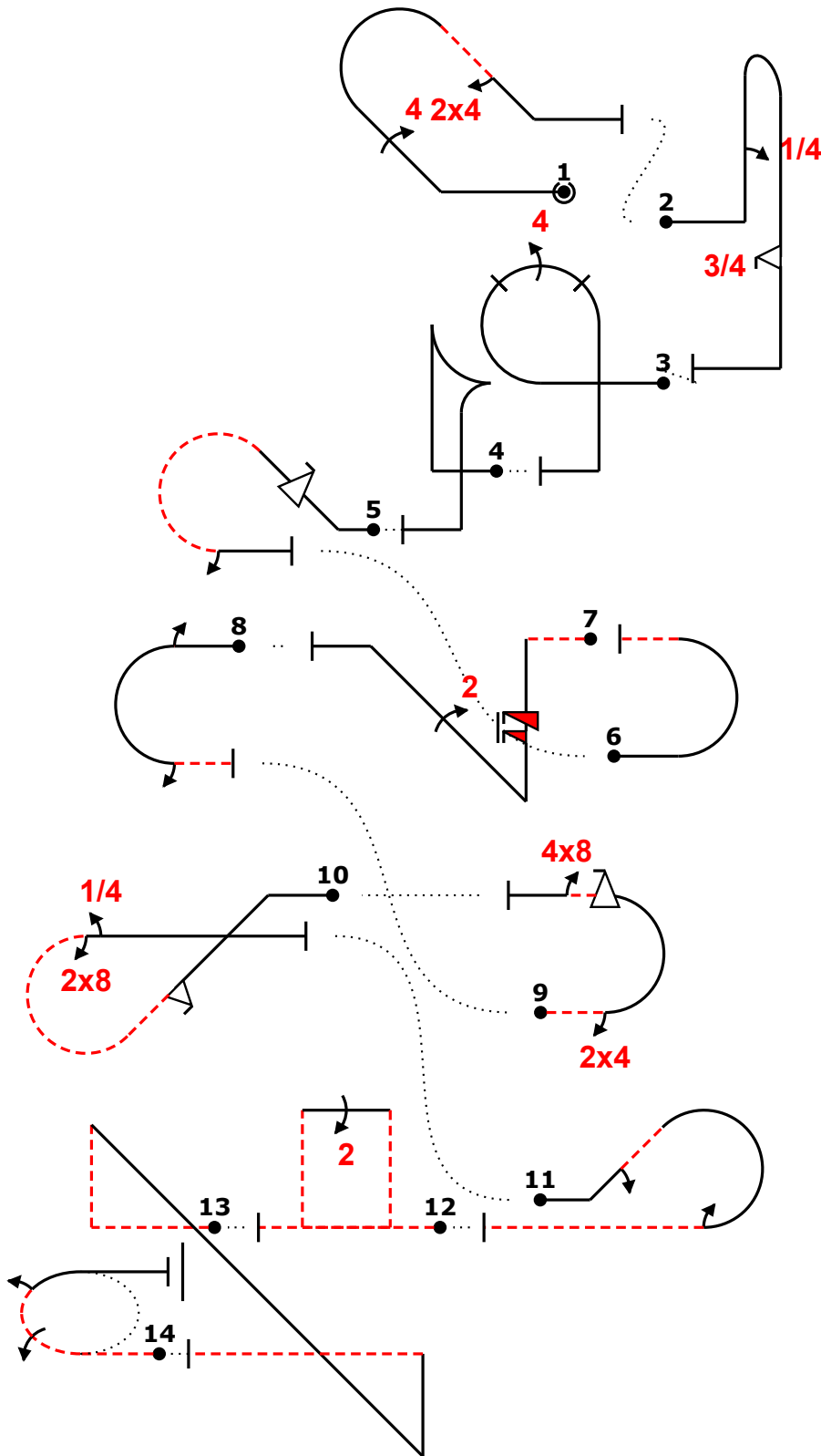
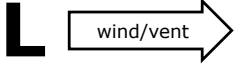


Fig	Grade	Pos	Remarks
1	.		
2	.		
3	.		
4	.		
5	.		
6	.		
7	.		
8	.		
9	.		
10	.		
11	.		
12	.		
13	.		
14	.		

Positioning	30	.
-------------	----	---

Too Low		Trg Violation	
Too High		Wing Rocks	
Interruptions		Disqual Fig	
Insertions		Other(note...)	

```
"eG" ~~~~~+44db'24'~ (1,7) "@J" ~+4.b.'3f. (-2,1) "@A" p(,44) (-1,0) "@E" ~~~~~+'ta'+ ~~~~~ (-2,0) "@F" ~~~~~+'f'rc2+ ~~~~~ (-18,14) "@L" m- "@C" ~-6isik22' (1,0) "@L" 2a2- (-17,17) "@D" ~-24mf;48 (8,0) "@B" ~,2firc8,4 (-12,18) "@L" ~+~~~~~2rc2-- (-1,0) "@H" ~-go'22'~ (-1,0) "@L" ~-~pn(.....') ~~~~~ (-2,0) "@I" ~-2jo15>
```

Fig 1 G	K	Fig 2 J	K	Fig 3 A	K	Fig 4 E	K	Fig 5 F	K	Fig 6 L	K	Fig 7 C	K	Fig 8 L	K	Fig 9 D	K	Fig 10 B	K	Fig 11 L	K	Fig 12 H	K	Fig 13 L	K	Fig 14 I	K
8.4.14.1	12	8.4.1.1	13	8.6.5.1	11	6.2.1.1	15	8.5.3.1	12	7.2.1.1	6	1.2.5.4	14	7.2.4.3	6	7.2.4.2	6	8.5.2.3	13	8.5.4.1	11	7.4.3.2	19	1.3.9.2	24	2.2.3.4	26
9.4.2.4	13	9.1.1.1	6	9.4.3.4	11			9.9.2.4	13			9.12.1.6	5	9.1.3.2	4	9.4.3.2	5	9.9.4.2	11	9.1.2.2	6	9.2.3.4	9				
9.4.4.2	5	9.9.5.3	11					9.1.3.2	4			9.2.2.4	11	9.1.3.2	4	9.9.3.4	11	9.8.3.1	3	9.1.3.2	4						
	30		30		22		15		29		6		30		6		29		29		6		28		6		26

Pilot: Proq D

A/C:

wind/vent ←

