



Pilot ID

SAA Intermediate Known

Flight #

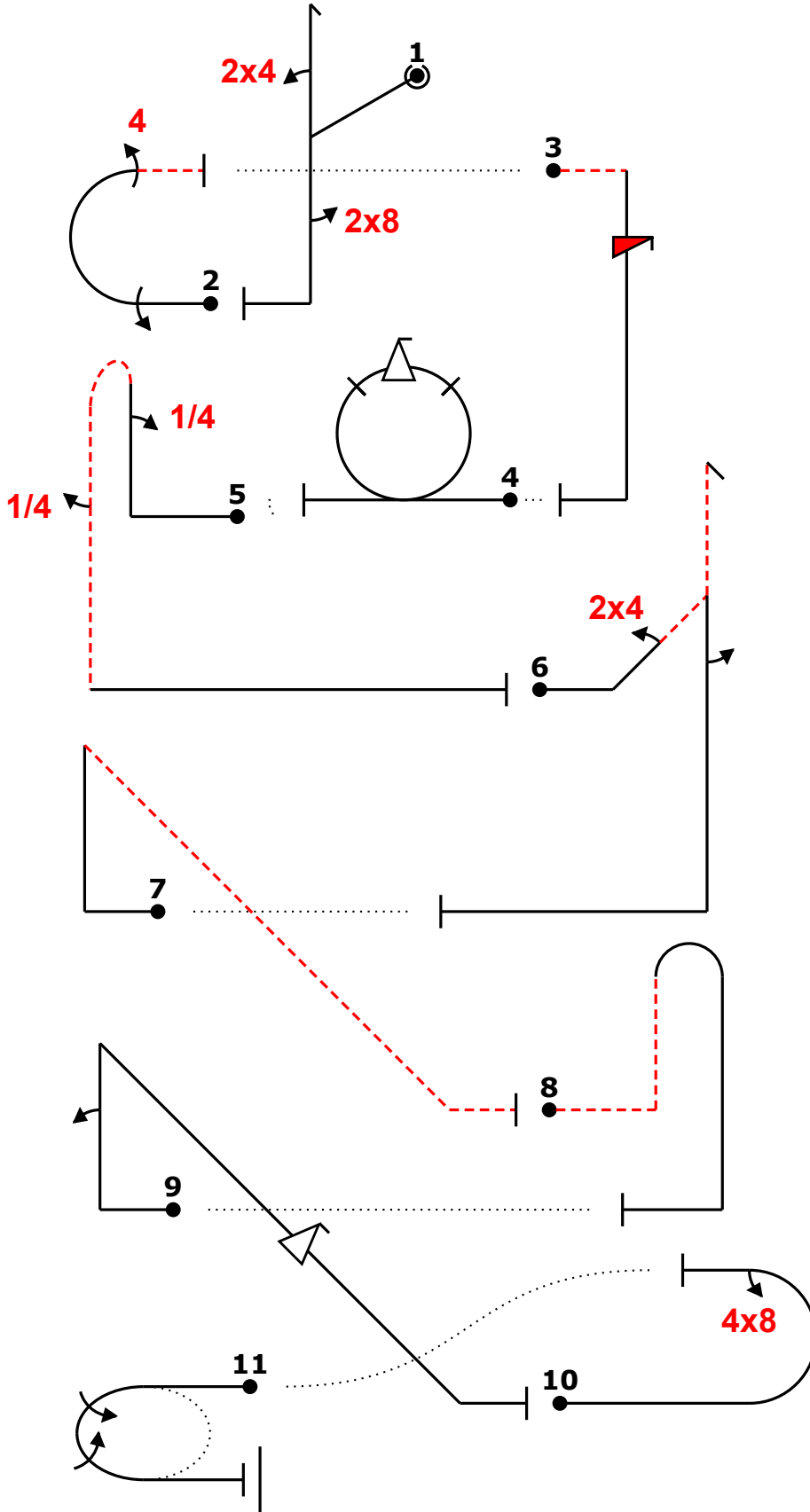
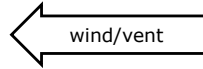
No	Symbol	Cat. No.	K	Total K	Grade	Pos	Remarks	Item	K	Grade
1		5.2.1.1 9.4.1.2 9.8.5.1	17 9 3	29	.			Pos.	25	
								Harm.	0	
2		7.2.1.1 9.1.3.4 9.4.3.4	6 8 11	25	.			Fig K	Total K	
								245	270	
3		1.1.7.4 9.12.1.4	9 7	16	.			Penalties		
								Too Low		
4		7.4.1.1 9.9.3.4	10 11	21	.			Too High		
								Interruptions		
5		8.4.3.1 9.1.1.1 9.1.5.1	15 6 2	23	.			Insertions		
								Trg Violation		
6		5.3.2.1 9.4.2.2 9.1.5.2	24 7 4	35	.			Wing Rocks		
								Disqual Fig		
7		1.2.5.1	14	14	.			Other(note...)		
								Final Freestyle		
8		8.4.4.2	14	14	.			Duration	Min	Sec
9		1.2.6.1 9.1.1.2 9.9.4.4	14 8 11	33	.			Judges Details		
								Signature		
10		7.2.2.1 9.8.3.2	6 7	13	.			Name		
								Number		
11		2.2.5.1	22	22	.			Pilot		
								A/C		



Pilot ID

SAA Intermediate Known

Flight #



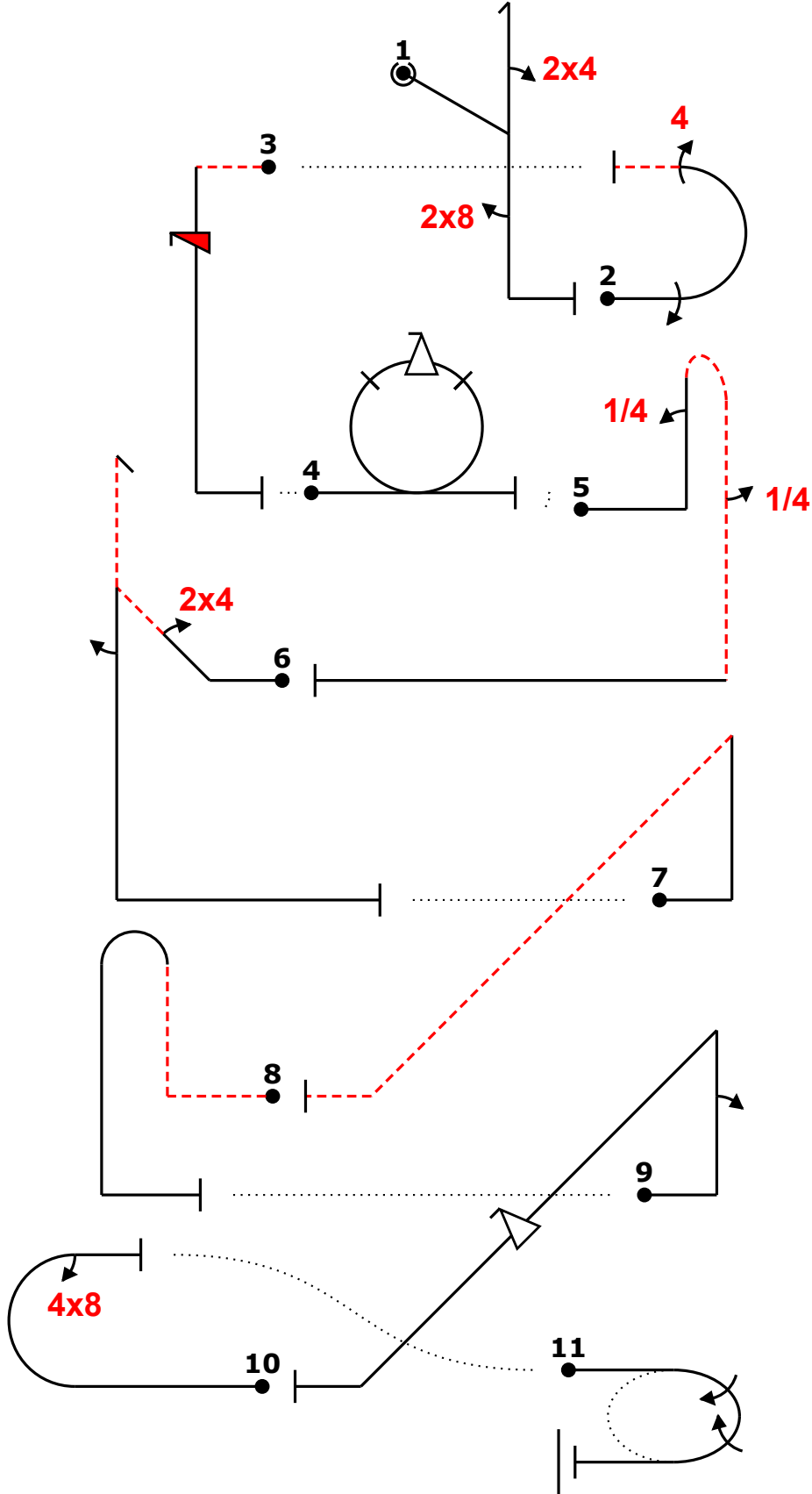
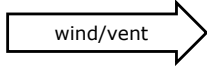
Pilot
A/C



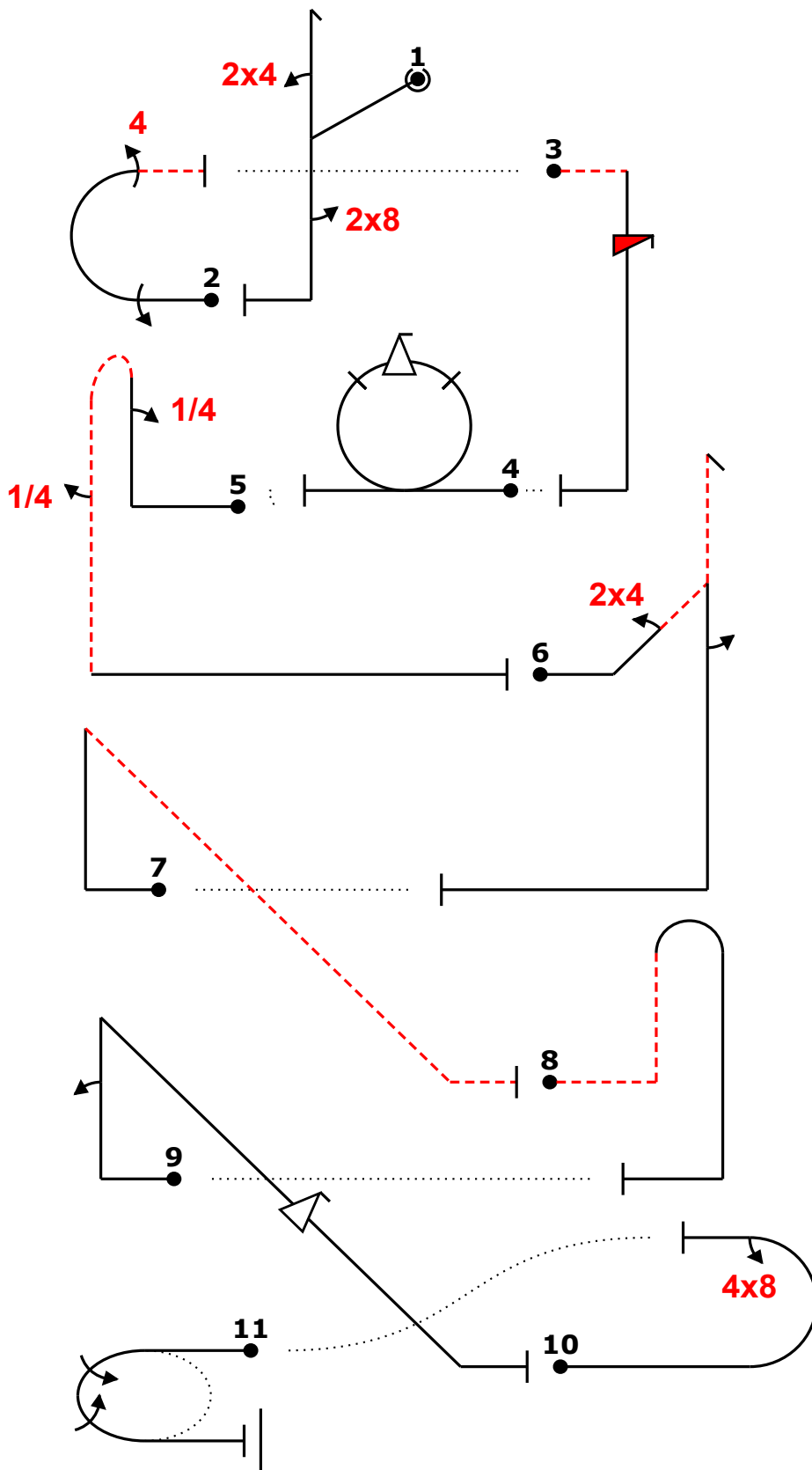
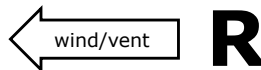
Pilot ID

Flight #

SAA Intermediate Known



Pilot
A/C



ej ++24h'8.> 1m44- (17,0) -ivis...'' (1,0) of (0,1) ,4pb,4..'+++++ 24dh2....'+++ (-13,0) k.....
-b.' (-23,0) 2k...f.' ..'m48 (-22,7) 2j2

Fig	Grade	Pos	Remarks
1	.		
2	.		
3	.		
4	.		
5	.		
6	.		
7	.		
8	.		
9	.		
10	.		
11	.		

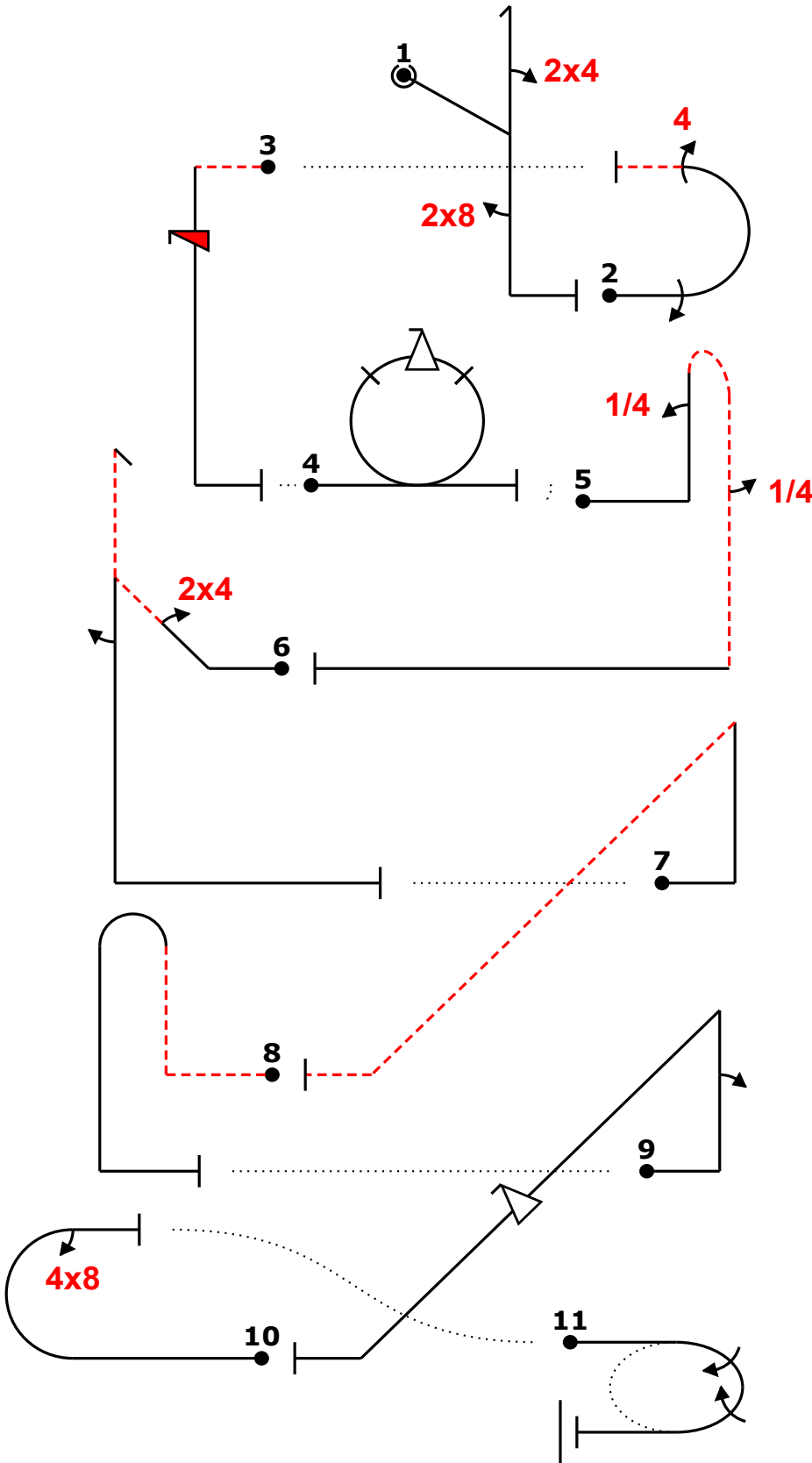
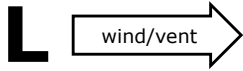
Positioning
25

Too Low		Trg Violation	
Too High		Wing Rocks	
Interruptions		Disqual Fig	
Insertions		Other(note...)	

Fig 1	K	Fig 2	K	Fig 3	K	Fig 4	K	Fig 5	K	Fig 6	K	Fig 7	K	Fig 8	K	Fig 9	K	Fig 10	K	Fig 11	K
5.2.1.1	17	7.2.1.1	6	1.1.7.4	9	7.4.1.1	10	8.4.3.1	15	5.3.2.1	24	1.2.5.1	14	8.4.4.2	14	1.2.6.1	14	7.2.2.1	6	2.2.5.1	22
9.4.1.2	9	9.1.3.4	8	9.12.1.4	7	9.9.3.4	11	9.1.1.1	6	9.4.2.2	7					9.1.1.2	8	9.8.3.2	7		
9.8.5.1	3	9.4.3.4	11					9.1.5.1	2	9.1.5.2	4					9.9.4.4	11				
	29		25		16		21		23		35		14		14		33		13		22

Pilot:

A/C:



ej ++24h'8.> 1m44- (17,0) -ivis...'' (1,0) of (0,1) ,4pb,4..'+++++ 24dh2....'++++ (-13,0) k.....
-b.' (-23,0) 2k...f.''' ..'m48 (-22,7) 2j2

Fig	Grade	Pos	Remarks
1	.		
2	.		
3	.		
4	.		
5	.		
6	.		
7	.		
8	.		
9	.		
10	.		
11	.		

Positioning **25**

Too Low	<input type="text"/>	Trg Violation	<input type="text"/>
Too High	<input type="text"/>	Wing Rocks	<input type="text"/>
Interruptions	<input type="text"/>	Disqual Fig	<input type="text"/>
Insertions	<input type="text"/>	Other(note...)	<input type="text"/>

Fig 1	K	Fig 2	K	Fig 3	K	Fig 4	K	Fig 5	K	Fig 6	K	Fig 7	K	Fig 8	K	Fig 9	K	Fig 10	K	Fig 11	K
5.2.1.1	17	7.2.1.1	6	1.1.7.4	9	7.4.1.1	10	8.4.3.1	15	5.3.2.1	24	1.2.5.1	14	8.4.4.2	14	1.2.6.1	14	7.2.2.1	6	2.2.5.1	22
9.4.1.2	9	9.1.3.4	8	9.12.1.4	7	9.9.3.4	11	9.1.1.1	6	9.4.2.2	7					9.1.1.2	8	9.8.3.2	7		
9.8.5.1	3	9.4.3.4	11					9.1.5.1	2	9.1.5.2	4					9.9.4.4	11				
	29		25		16		21		23		35		14		14		33		13		22

Pilot:

A/C:

wind/vent ←

