



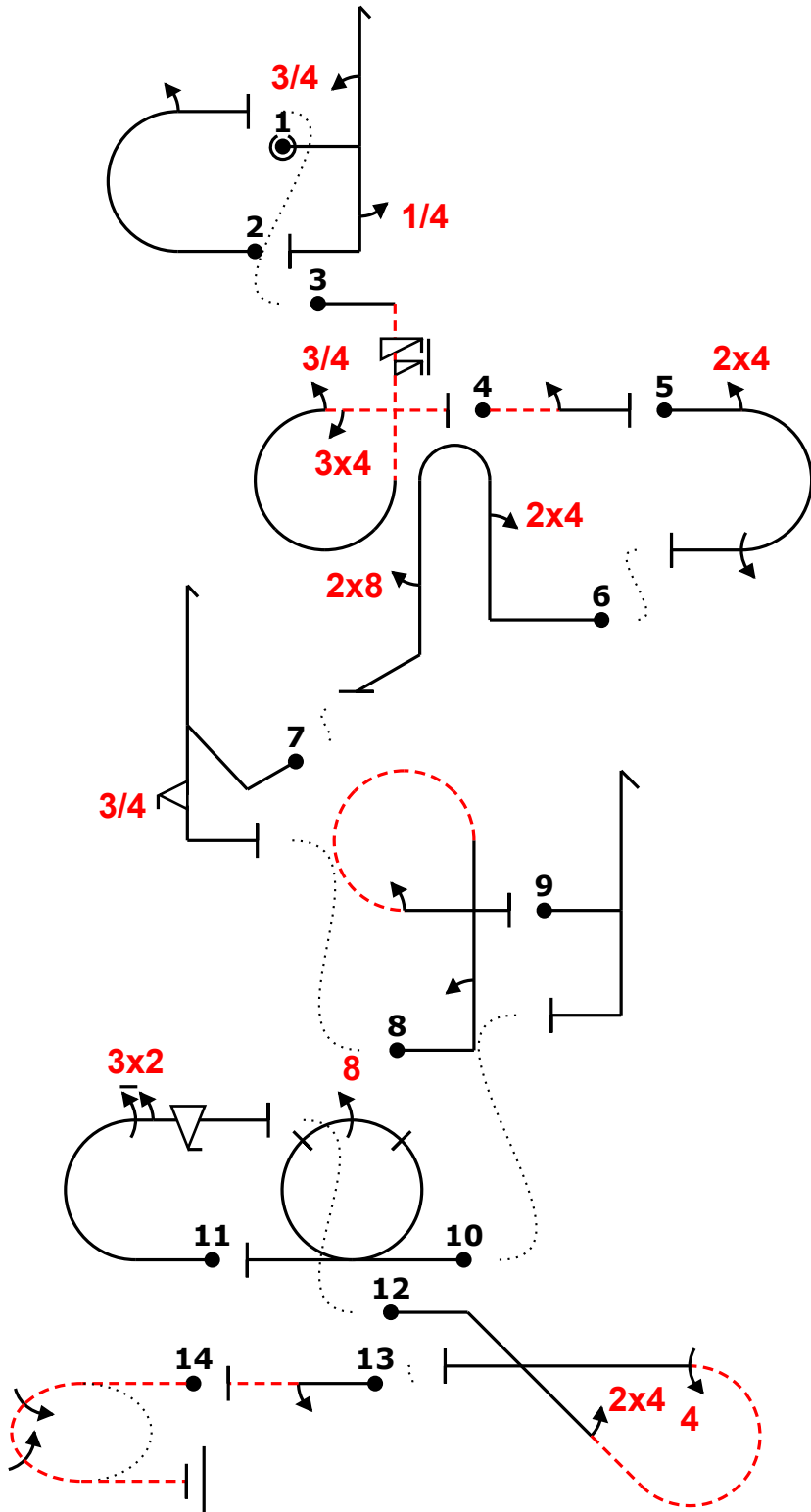
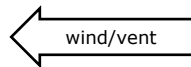
| | |
|---------------|-------------------------------|
| Form A | |
| Pilot ID | CIVA Advanced Unknown1 |
| Flight # | |

| No | Symbol | Cat. No. | K | Total K | Grade | Pos | Remarks | Item | K | Grade |
|----|--------|---|-------------------|------------------------|-------|-----|---------|------------------------|-----|----------------|
| 1 | | 5.2.1.1 9.1.1.3 9.1.5.1 | 17 10 2 | Fig A 29 | . | | | Pos. | 30 | |
| 2 | | 7.2.2.1 9.1.3.2 | 6 4 | additional 6 | . | | | Harm. | 0 | |
| 3 | | 8.6.3.3 9.11.1.6 9.1.3.3 9.4.3.3 | 13 3 6 8 | Fig F 30 | . | | | Fig K | 288 | Total K 318 |
| 4 | | 1.1.1.4 9.1.3.2 | 2 4 | additional 6 | . | | | Penalties | | |
| 5 | | 7.2.3.3 9.4.3.2 9.1.3.4 | 6 5 8 | Fig B 19 | . | | | Too Low | | |
| 6 | | 8.4.1.1 9.4.1.2 9.8.5.1 | 13 9 3 | Fig J 25 | . | | | Too High | | |
| 7 | | 5.3.1.1 9.9.5.3 | 18 11 | Fig H 29 | . | | | Interruptions | | |
| 8 | | 8.6.4.1 9.1.1.2 9.1.3.2 | 14 8 4 | Fig G 26 | . | | | Insertions | | |
| 9 | | 5.2.1.1 | 17 | additional 6 | . | | | Trg Violation | | |
| 10 | | 7.4.1.1 9.8.3.4 | 10 15 | Fig C 25 | . | | | Wing Rocks | | |
| 11 | | 7.2.2.1 9.2.3.6 9.9.3.4 | 6 12 11 | Fig E 29 | . | | | Disqual Fig | | |
| 12 | | 8.5.2.3 9.4.4.2 9.4.3.4 | 13 5 11 | Fig D 29 | . | | | Other(note...) | | |
| 13 | | 1.1.1.3 9.1.3.2 | 2 4 | additional 6 | . | | | Final Freestyle | | |
| 14 | | 2.2.5.2 | 23 | Fig I 23 | . | | | Duration | Min | Sec |
| | | | | | | | | Judges Details | | |
| | | | | | | | | Signature | | |
| | | | | | | | | Name | | |
| | | | | | | | | Number | | |

_____ Pilot
 A/C



| | |
|---------------|------------------------|
| Form B | |
| Pilot ID | CIVA Advanced Unknown1 |
| Flight # | |



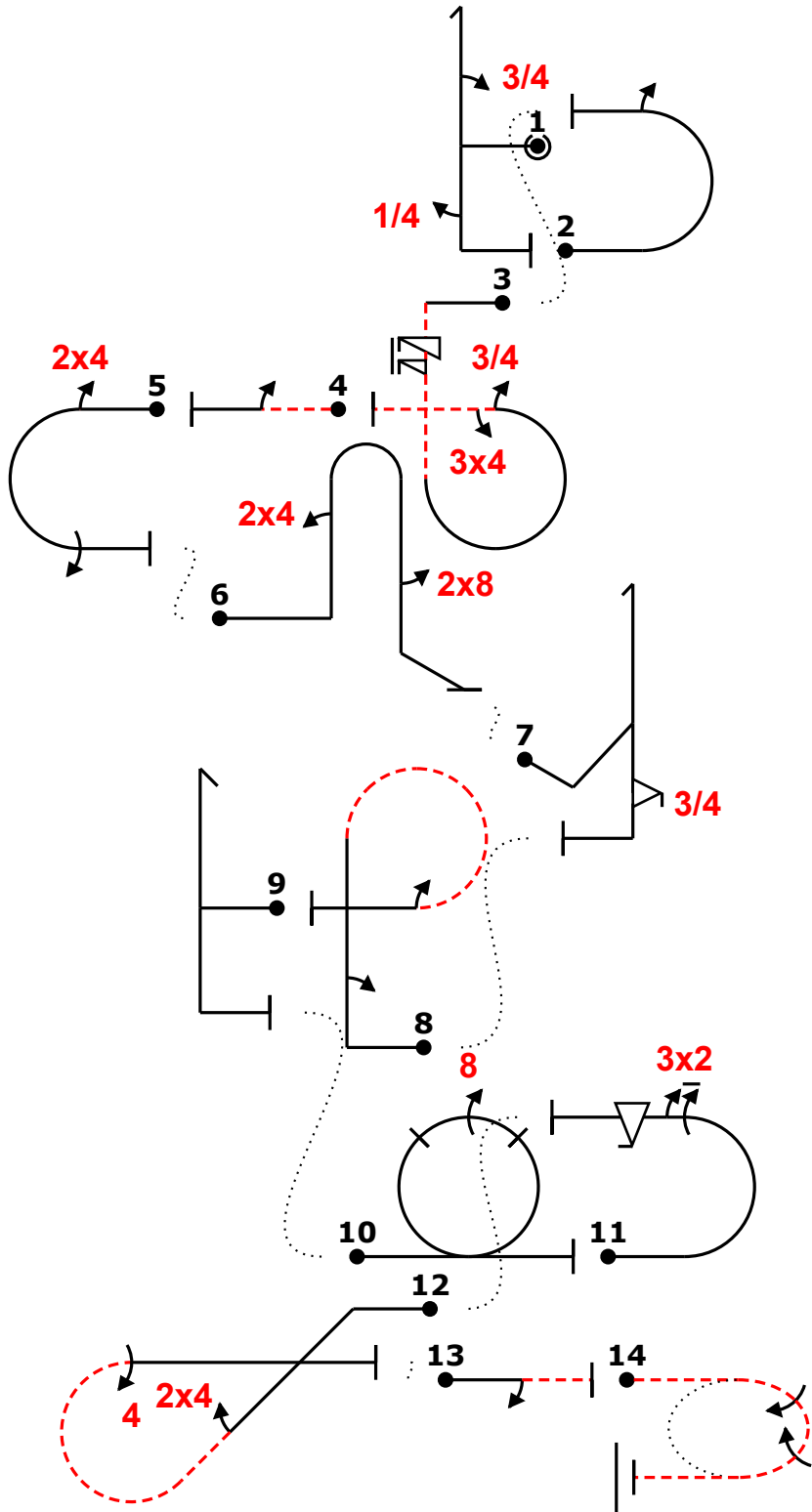
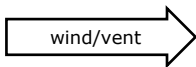
| Power | | | |
|----------------------|----------|----|----|
| Fig | Aresti | K | |
| 1 A | 5.2.1.1 | 17 | 29 |
| | 9.1.1.3 | 10 | |
| | 9.1.5.1 | 2 | |
| 2 Add. | 7.2.2.1 | 6 | 6 |
| | 9.1.3.2 | 4 | |
| 3 F | 8.6.3.3 | 13 | 30 |
| | 9.11.1.6 | 3 | |
| | 9.1.3.3 | 6 | |
| | 9.4.3.3 | 8 | |
| 4 Add. | 1.1.1.4 | 2 | 6 |
| | 9.1.3.2 | 4 | |
| 5 B | 7.2.3.3 | 6 | 19 |
| | 9.4.3.2 | 5 | |
| | 9.1.3.4 | 8 | |
| 6 J | 8.4.1.1 | 13 | 25 |
| | 9.4.1.2 | 9 | |
| | 9.8.5.1 | 3 | |
| 7 H | 5.3.1.1 | 18 | 29 |
| | 9.9.5.3 | 11 | |
| 8 G | 8.6.4.1 | 14 | 26 |
| | 9.1.1.2 | 8 | |
| | 9.1.3.2 | 4 | |
| 9 Add. | 5.2.1.1 | 17 | 6 |
| | | | |
| 10 C | 7.4.1.1 | 10 | 25 |
| | 9.8.3.4 | 15 | |
| 11 E | 7.2.2.1 | 6 | 29 |
| | 9.2.3.6 | 12 | |
| | 9.9.3.4 | 11 | |
| 12 D | 8.5.2.3 | 13 | 29 |
| | 9.4.4.2 | 5 | |
| | 9.4.3.4 | 11 | |
| 13 Add. | 1.1.1.3 | 2 | 6 |
| | 9.1.3.2 | 4 | |
| 14 I | 2.2.5.2 | 23 | 23 |
| Total K = 288 | | | |

"8A" 3h4 "8L" m2 (0,11) "8F" 6sirr3,34- "8I" -2 "8B" 24a1 (0,4) "8J" ,24b,8 (0,2) "8H" dh,3f (4,12) "8G" 2rp2 "8L" h (-1,14)
 "8C" o88 "8E" m32,f (3,11) "8D" 24irc44 (0,1) "8L" 2- "8I" -2j2-

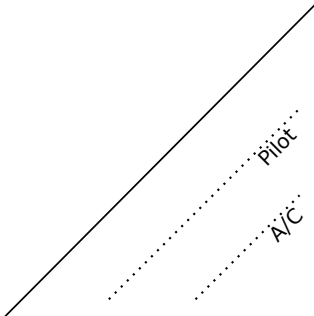
Pilot
A/C



| | | |
|----------|------------------------|----------|
| | | Form C |
| Pilot ID | CIVA Advanced Unknown1 | Flight # |



"8A" 3h4 "8L" m2 (0,11) "8F" 6sirr3,34- "8L" -2 "8B" 24a1 (0,4) "8J" ,24b,8 (0,2) "8H" dh,3f (4,12) "8G" 2rp2 "8L" h (-1,14)
 "8C" o88 "8E" m32,f (3,11) "8D" 24irc44 (0,1) "8L" 2- "8I" -2j2-





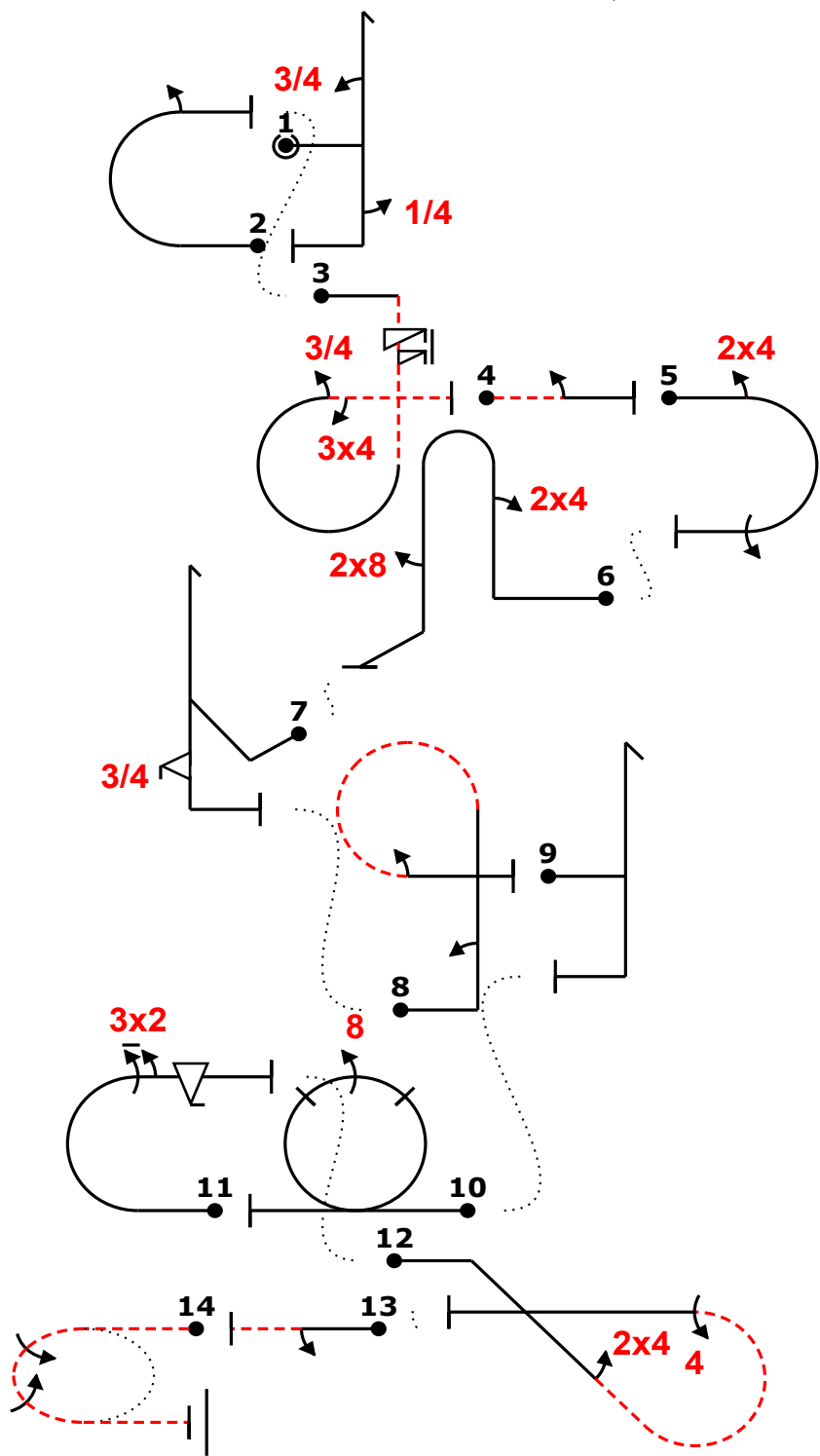
CIVA Advanced
Unknown1

wind/vent ← **R**

Figure K
288
Total K
318

Judges Name
Signature _____
Number _____

Flight #



| Fig | Grade | Pos | Remarks |
|-----|-------|-----|---------|
| 1 | . | | |
| 2 | . | | |
| 3 | . | | |
| 4 | . | | |
| 5 | . | | |
| 6 | . | | |
| 7 | . | | |
| 8 | . | | |
| 9 | . | | |
| 10 | . | | |
| 11 | . | | |
| 12 | . | | |
| 13 | . | | |
| 14 | . | | |

Positioning
30 .

| | | | |
|---------------|--|----------------|--|
| Too Low | | Trg Violation | |
| Too High | | Wing Rocks | |
| Interruptions | | Disqual Fig | |
| Insertions | | Other(note...) | |

"@A" 3h4 "eL" m2 (0,11) "@F" 6s1rp3,34- "eL" -2 "@B" 24a1 (0,4) "@J" ,24b,8 (0,2) "@H" dh,3f (4,12)
 "@G" 2rp2 "eL" h (-1,14) "@C" o88 "eB" m32,f (3,11) "@D" 24irc44 (0,1) "eL" 2- "eI" -2j2-

| Fig 1 A | K | Fig 2 L | K | Fig 3 F | K | Fig 4 L | K | Fig 5 B | K | Fig 6 J | K | Fig 7 H | K | Fig 8 G | K | Fig 9 L | K | Fig 10 C | K | Fig 11 E | K | Fig 12 D | K | Fig 13 L | K | Fig 14 I | K |
|---------|-----------|---------|----------|---------|----------|---------|----------|---------|-----------|---------|-----------|---------|-----------|-----------|----|----------|----|-----------|----|-----------|----|-----------|----|----------|---|-----------|----|
| 5.2.1.1 | 17 | 7.2.2.1 | 6 | 8.6.3.3 | 13 | 1.1.1.4 | 2 | 7.2.3.3 | 6 | 8.4.1.1 | 13 | 5.3.1.1 | 18 | 8.6.4.1 | 14 | 5.2.1.1 | 17 | 7.4.1.1 | 10 | 7.2.2.1 | 6 | 8.5.2.3 | 13 | 1.1.1.3 | 2 | 2.2.5.2 | 23 |
| 9.1.1.3 | 10 | 9.1.3.2 | 4 | 9.1.1.6 | 3 | 9.1.3.2 | 4 | 9.4.3.2 | 5 | 9.4.1.2 | 9 | 9.9.5.3 | 11 | 9.1.1.2 | 8 | | | 9.8.3.4 | 15 | 9.2.3.6 | 12 | 9.4.4.2 | 5 | 9.1.3.2 | 4 | | |
| 9.1.5.1 | 2 | | | 9.1.3.3 | 6 | | | 9.1.3.4 | 8 | 9.8.5.1 | 3 | | | 9.1.3.2 | 4 | | | | | 9.9.3.4 | 11 | 9.4.3.4 | 11 | | | | |
| | 29 | | 6 | 9.4.3.3 | 8 | | 6 | | 19 | | 25 | | 29 | 26 | | 6 | | 25 | | 29 | | 29 | | 6 | | 23 | |

Pilot:

A/C:

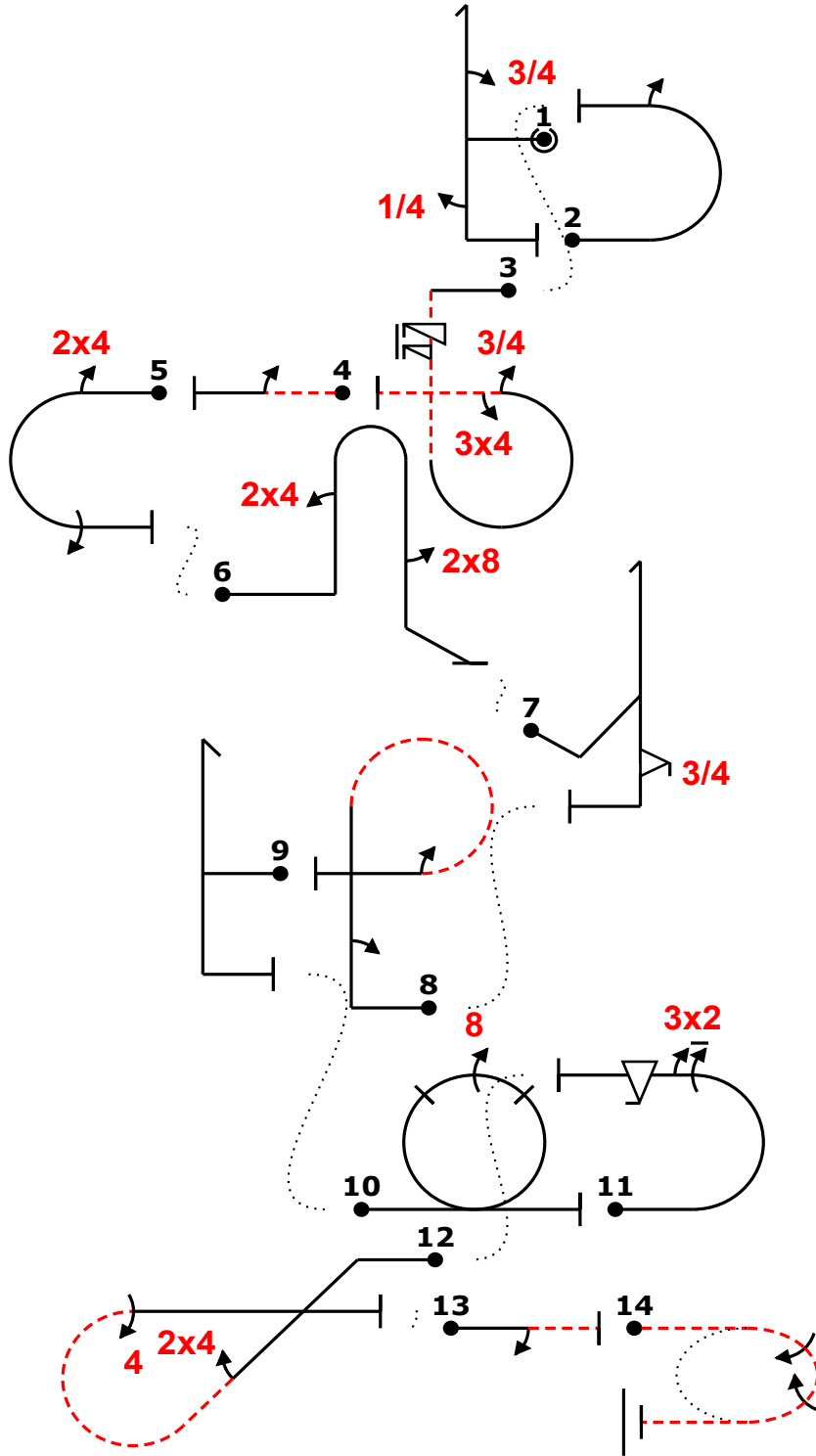
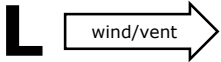


CIVA Advanced
Unknown1

Figure K
288
Total K
318

| | |
|-------------|--------|
| Judges Name | |
| Signature | Number |

| |
|----------|
| Flight # |
|----------|



| Fig | Grade | Pos | Remarks |
|-----|-------|-----|---------|
| 1 | . | | |
| 2 | . | | |
| 3 | . | | |
| 4 | . | | |
| 5 | . | | |
| 6 | . | | |
| 7 | . | | |
| 8 | . | | |
| 9 | . | | |
| 10 | . | | |
| 11 | . | | |
| 12 | . | | |
| 13 | . | | |
| 14 | . | | |

Positioning
30

| | | | |
|---------------|--|----------------|--|
| Too Low | | Trg Violation | |
| Too High | | Wing Rocks | |
| Interruptions | | Disqual Fig | |
| Insertions | | Other(note...) | |

"@A" 3h4 "eL" m2 (0,11) "@F" 6s1rp3,34- "eL" -2 "@B" 24a1 (0,4) "@J" ,24b,8 (0,2) "@H" dh,3f (4,12)
 "@G" 2rp2 "eL" h (-1,14) "@C" o88 "eB" m32,f (3,11) "@D" 24irc44 (0,1) "eL" 2- "eI" -2j2-

| Fig 1 A | K | Fig 2 L | K | Fig 3 F | K | Fig 4 L | K | Fig 5 B | K | Fig 6 J | K | Fig 7 H | K | Fig 8 G | K | Fig 9 L | K | Fig 10 C | K | Fig 11 E | K | Fig 12 D | K | Fig 13 L | K | Fig 14 I | K |
|---------|----|---------|---|-----------|----|---------|---|---------|----|---------|----|---------|----|---------|----|---------|----|----------|----|----------|----|----------|----|----------|---|----------|----|
| 5.2.1.1 | 17 | 7.2.2.1 | 6 | 8.6.3.3 | 13 | 1.1.1.4 | 2 | 7.2.3.3 | 6 | 8.4.1.1 | 13 | 5.3.1.1 | 18 | 8.6.4.1 | 14 | 5.2.1.1 | 17 | 7.4.1.1 | 10 | 7.2.2.1 | 6 | 8.5.2.3 | 13 | 1.1.1.3 | 2 | 2.2.5.2 | 23 |
| 9.1.1.3 | 10 | 9.1.3.2 | 4 | 9.1.1.1.6 | 3 | 9.1.3.2 | 4 | 9.4.3.2 | 5 | 9.4.1.2 | 9 | 9.9.5.3 | 11 | 9.1.1.2 | 8 | | | 9.8.3.4 | 15 | 9.2.3.6 | 12 | 9.4.4.2 | 5 | 9.1.3.2 | 4 | | |
| 9.1.5.1 | 2 | | | 9.1.3.3 | 6 | | | 9.1.3.4 | 8 | 9.8.5.1 | 3 | | | 9.1.3.2 | 4 | | | | | 9.9.3.4 | 11 | 9.4.3.4 | 11 | | | | |
| | 29 | | 6 | 9.4.3.3 | 8 | | 6 | | 19 | | 25 | | 29 | | 26 | | 6 | | 25 | | 29 | | 29 | | 6 | 23 | |

Pilot:

A/C: