



Pilot ID		CIVA Unlimited Programme3		Form A
				Flight #

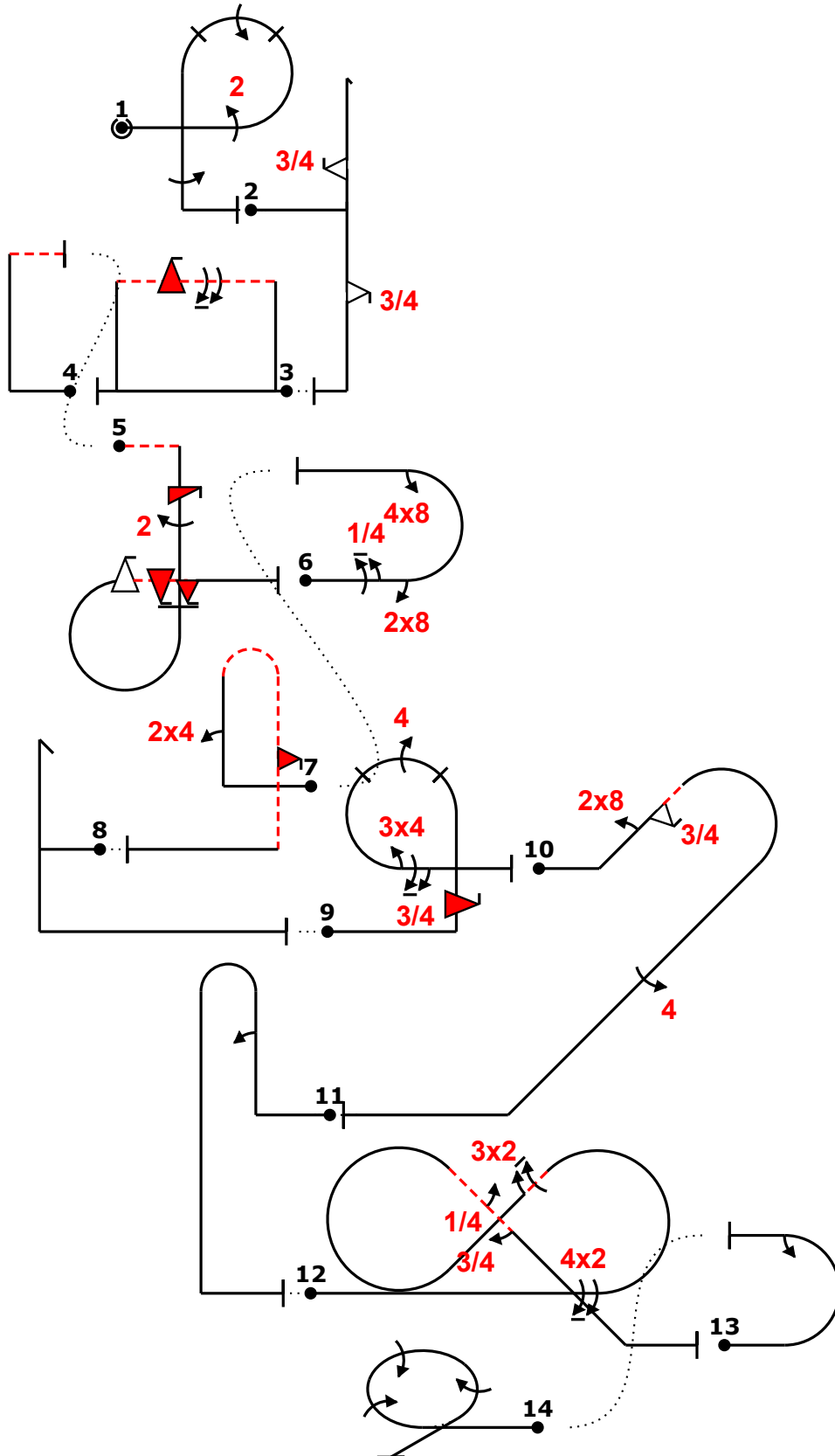
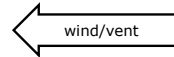
No	Symbol	Cat. No.	K	Total K	Grade	Pos	Remarks	Item	K	Grade
1		8.6.5.1 9.2.3.4 9.1.3.4 9.1.5.4	11 9 8 8	Fig D 36	.			Pos.	40	
2		5.2.1.1 9.9.1.3 9.9.5.3	17 15 11	Fig B 43	.			Harm.	0	
3		7.4.3.1 9.10.3.4 9.1.3.8	14 13 12	Fig E 39	.			Fig K	444	Total K 484
4		1.1.7.1	9	additional 6	.			Penalties		
5		8.6.2.4 9.12.1.4 9.2.5.4 9.9.3.4 9.10.3.6	12 7 9 11 16	Fig A 55	.			Too Low		
6		7.2.2.1 9.1.3.5 9.8.3.1 9.8.3.2	6 9 3 7	Fig I 25	.			Too High		
7		8.4.3.1 9.4.1.2 9.10.5.2	15 9 13	Fig G 37	.			Interruptions		
8		5.2.1.1	17	additional 6	.			Insertions		
9		8.6.1.1 9.10.6.4 9.4.3.4 9.4.3.3 9.1.3.7	11 19 11 8 11	Fig F 60	.			Trg Violation		
10		8.4.15.1 9.8.2.1 9.9.2.3 9.4.4.4	12 5 13 11	Fig C 41	.			Wing Rocks		
11		8.4.1.1 9.1.1.2	13 8	additional 6	.			Disqual Fig		
12		7.8.4.1 9.2.3.8 9.2.4.6 9.1.4.1 9.1.4.3	19 15 12 2 6	Fig H 54	.			Other(note...)		
13		7.2.2.1 9.1.3.2	6 4	additional 6	.			Final Freestyle		
14		2.3.4.1	30	Fig J 30	.			Duration	Min	Sec

Signature
 Name
 Number

Prog C UNL Pilot
 A/C



		Form B
Pilot ID	CIVA Unlimited Programme3	
	Flight #	

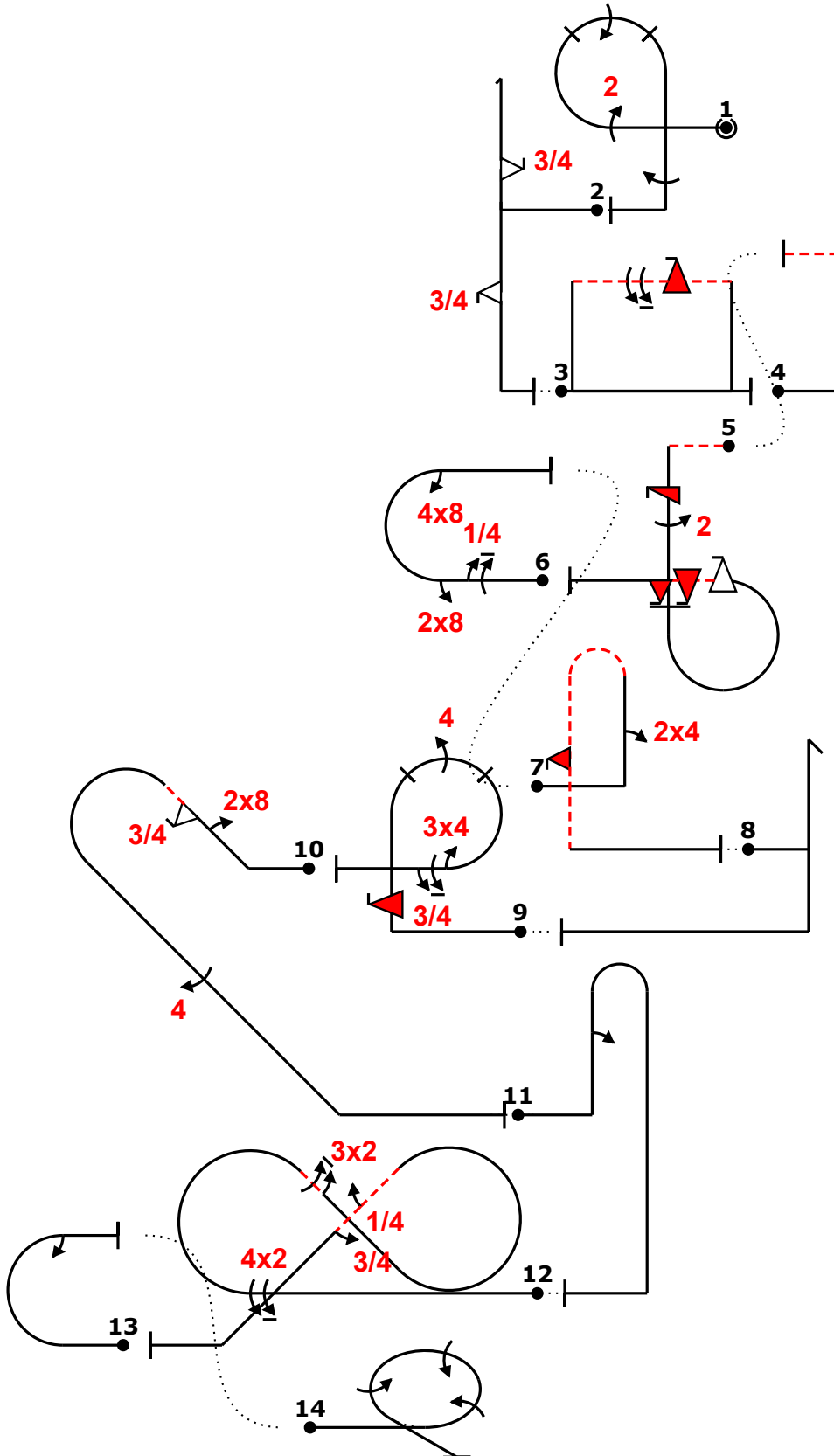
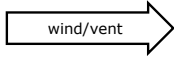


"@D" 22p(1)1 (-3,0) "@B" -4% -++'3f..h..'3f... (2,0) "@E" qoif,9- "@L" v''- (0,14) "@A" -`is,22irpf,6if "@I" 5,8m48+- (5,23)
 "@G" ~24'pb2if'!+- (2,0) "@L" h++++- (-1,0) "@F" ~-+,ifrp(,44)34,7 "@C" ~8~`3frdb..44.... (3,0) "@L" ~+2'b.... (-2,0)
 "@H" 3% ~,|"42`cc(~~~,32)'|"4~`3'+~~~~ "@L" m2 (-10,14) "@J" 3j3 eu eu eu

Prog C UNL Pilot
 A/C



		Form C
Pilot ID	CIVA Unlimited Programme3	
	Flight #	



"@D" 22p(1)1 (-3,0) "@B" -4% ~++'3f..h..'3f... (2,0) "@E" qoif,9- "@L" v' '- (0,14) "@A" -`is,22irpf,6if "@I" 5,8m48+- (5,23)
 "@G" ~24'pb2if'!+~ (2,0) "@L" h++++~ (-1,0) "@F" ~~,ifrp(,44)34,7 "@C" ~8~`3frdb..44.... (3,0) "@L" ~+2'b.... (-2,0)
 "@H" 3% ~,|"42`cc(~~~,32)'|"4`~,3'+~~~~ "@L" m2 (-10,14) "@J" 3j3 eu eu

Prog C UNL Pilot
 A/C

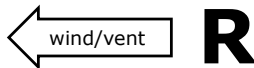


Figure K
444
Total K
484

Judges Name		Flight #
Signature	Number	

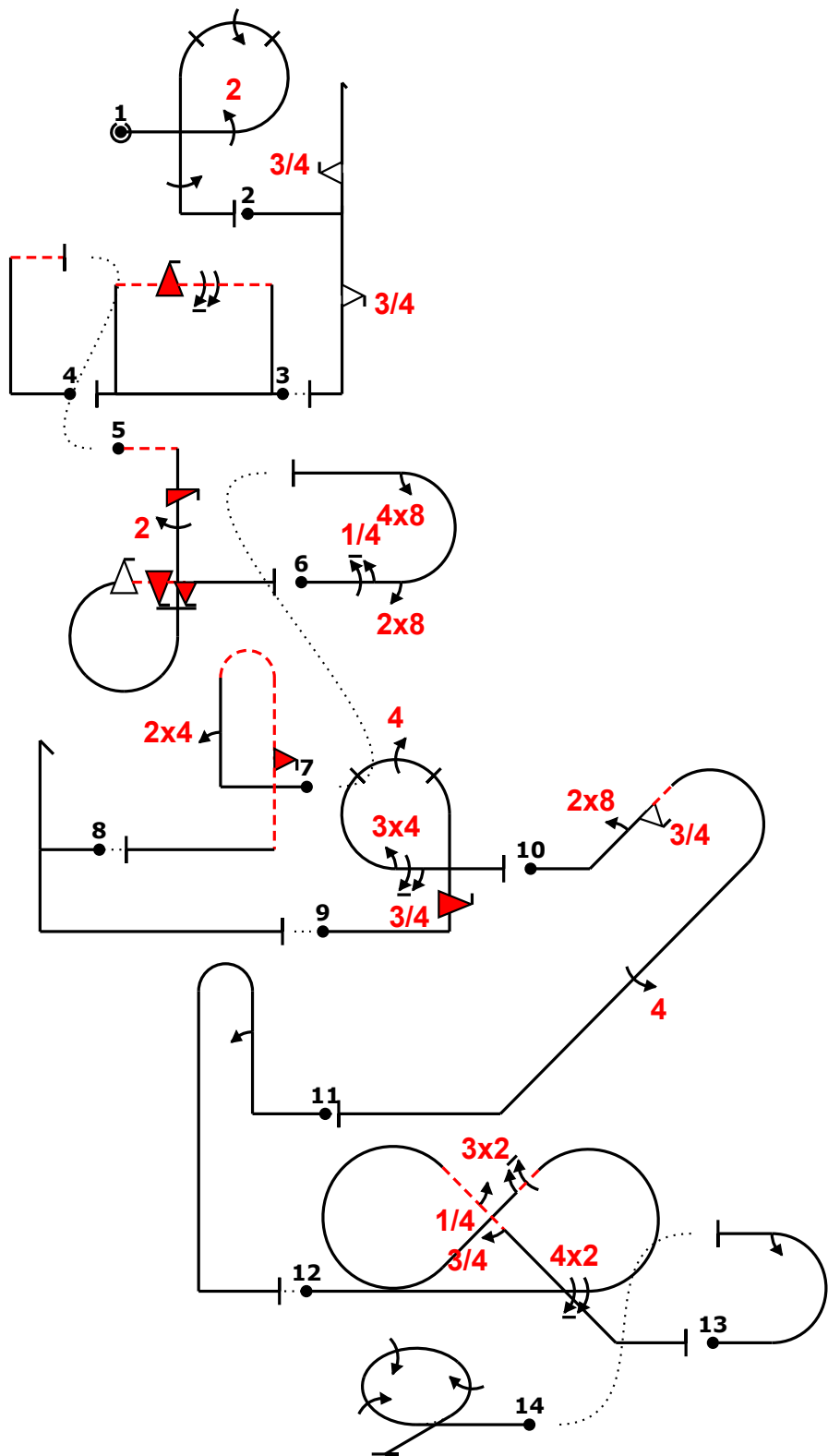


Fig	Grade	Pos	Remarks
1	.		
2	.		
3	.		
4	.		
5	.		
6	.		
7	.		
8	.		
9	.		
10	.		
11	.		
12	.		
13	.		
14	.		

Positioning
40 .

Too Low		Trg Violation	
Too High		Wing Rocks	
Interruptions		Disqual Fig	
Insertions		Other(note...)	

"0B" 22p(1)1 (-3,0) "0B" -4% -++'3f..h..'3f... (2,0) "0B" goif,9- "0L" v' '- (0,14) "0A" -'is,22irpf ,6if "0I" 5,8m48+- (5,23) "0G" ^24''pb2if''+- (2,0) "0L" h++++- (-1,0) "0F" -+-,ifrp(,44)34,7 "0 C" ^8^,3frdb..44.... (3,0) "0L" ^+2'b.... (-2,0) "0H" 3% ^,|"42^cc(^^,32)"|"4^,3^+^^ "0L" m2 (-10,14) "0J" 3j3 eu eu eu

Fig 1 D	K	Fig 2 B	K	Fig 3 E	K	Fig 4 L	K	Fig 5 A	K	Fig 6 I	K	Fig 7 G	K	Fig 8 L	K	Fig 9 F	K	Fig 10 C	K	Fig 11 L	K	Fig 12 H	K	Fig 13 L	K	Fig 14 J	K
8.6.5.1	11	5.2.1.1	17	7.4.3.1	14	1.1.7.1	9	8.6.2.4	12	7.2.2.1	6	8.4.3.1	15	5.2.1.1	17	8.6.1.1	11	8.4.15.1	12	8.4.1.1	13	7.8.4.1	19	7.2.2.1	6	2.3.4.1	30
9.2.3.4	9	9.9.1.3	15	9.10.3.4	13			9.12.1.4	7	9.1.3.5	9	9.4.1.2	9			9.10.6.4	19	9.8.2.1	5	9.1.1.2	8	9.2.3.8	15	9.1.3.2	4		
9.1.3.4	8	9.9.5.3	11	9.1.3.8	12			9.2.5.4	9	9.8.3.1	3	9.10.5.2	13			9.4.3.4	11	9.9.2.3	13			9.2.4.6	12				
9.1.5.4	8							9.9.3.4	11	9.8.3.2	7					9.4.3.3	8	9.4.4.4	11			9.1.4.1	2				
								9.10.3.6	16							9.1.3.7	11					9.1.4.3	6				
	36		43		39		6		55		25		37		6		60		41		6		54		6		30

Pilot: Proq C UNL

A/C:



CIVA Unlimited

Programme3

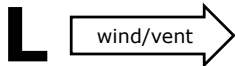


Figure K

444

Total K

484

Judges Name

Flight #

Signature

Number

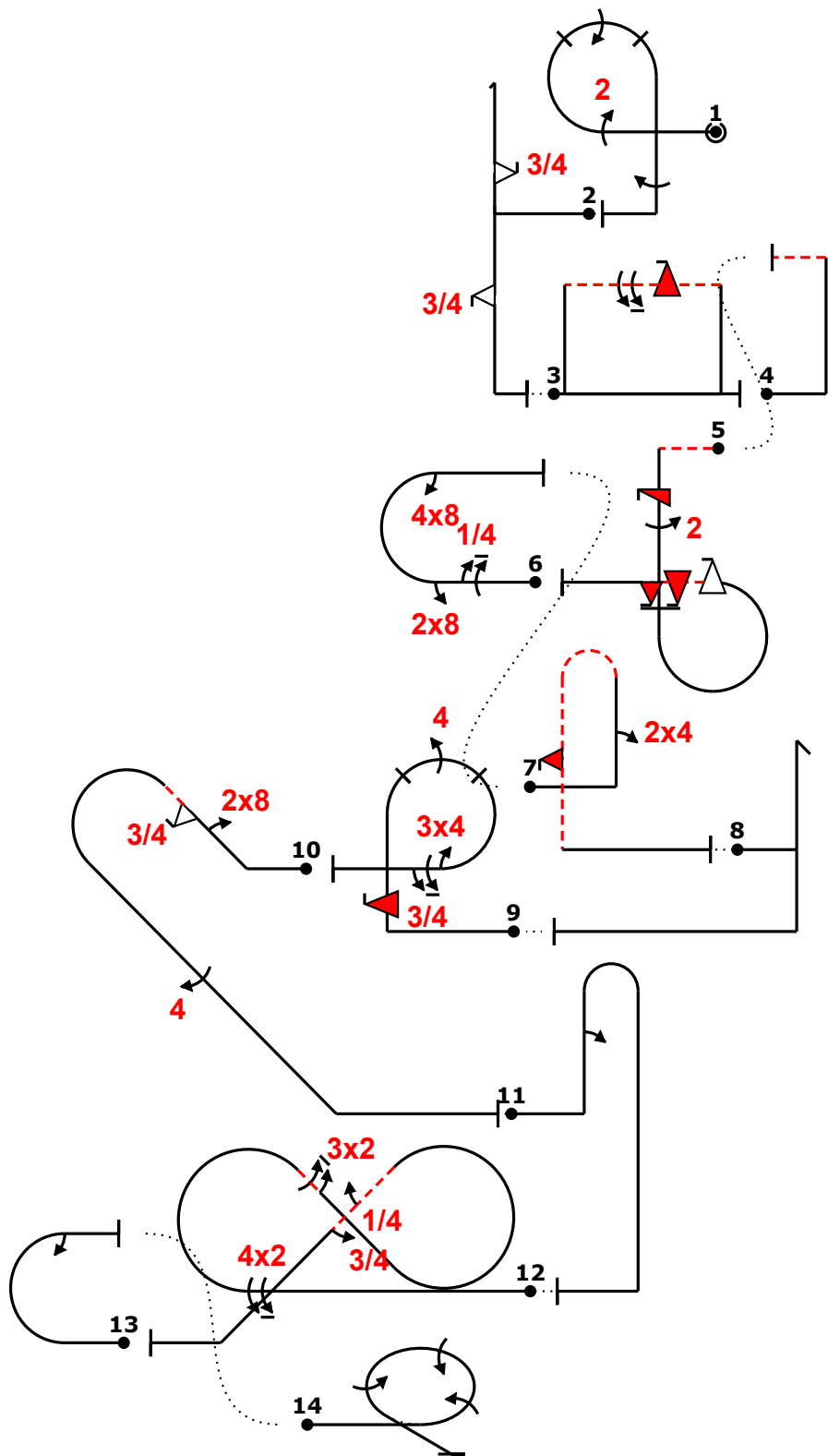


Fig	Grade	Pos	Remarks
1	.		
2	.		
3	.		
4	.		
5	.		
6	.		
7	.		
8	.		
9	.		
10	.		
11	.		
12	.		
13	.		
14	.		

Positioning

40

.

Too Low

Trg Violation

Too High

Wing Rocks

Interruptions

Disqual Fig

Insertions

Other(note...)

"0D" 22p(1)1 (-3,0) "0B" -4% ~++'3f..h..'3f... (2,0) "0E" goif,9- "0L" v'~- (0,14) "0A" -'is,22irpf ,6if "0I" 5,8m48+- (5,23) "0G" ~24''pb2if'++ (2,0) "0L" h++++~ (-1,0) "0F" ~+,ifrp(,44)34,7 "0 C" ~8'',3frdb..44.... (3,0) "0L" ~+2'b.... (-2,0) "0H" 3% ~,|"42~cc(~~),32)"|"4~>3'+~~~~ "0L" m2 (-10,14) "0J" 3j3 eu eu eu

Fig	D	K	Fig	B	K	Fig	E	K	Fig	L	K	Fig	A	K	Fig	I	K	Fig	G	K	Fig	L	K	Fig	F	K	Fig	C	K	Fig	L	K	Fig	H	K	Fig	L	K	Fig	J	K
8.6.5.1	11	5.2.1.1	17	7.4.3.1	14	1.1.7.1	9	8.6.2.4	12	7.2.2.1	6	8.4.3.1	15	5.2.1.1	17	8.6.1.1	11	8.4.15.1	12	8.4.1.1	13	7.8.4.1	19	7.2.2.1	6	2.3.4.1	30														
9.2.3.4	9	9.9.1.3	15	9.10.3.4	13			9.12.1.4	7	9.1.3.5	9	9.4.1.2	9			9.10.6.4	19	9.8.2.1	5	9.1.1.2	8	9.2.3.8	15	9.1.3.2	4																
9.1.3.4	8	9.9.5.3	11	9.1.3.8	12			9.2.5.4	9	9.8.3.1	3	9.10.5.2	13			9.4.3.4	11	9.9.2.3	13			9.2.4.6	12																		
9.1.5.4	8							9.9.3.4	11	9.8.3.2	7					9.4.3.3	8	9.4.4.4	11			9.1.4.1	2																		
								9.10.3.6	16							9.1.3.7	11					9.1.4.3	6																		
	36		43		39		6		55		25		37		6		60		41		6		54		6		30														

Pilot: Proq C UNL

A/C:

wind/vent ←

