



Pilot ID		CIVA Unlimited Programme3	Form A
			Flight #

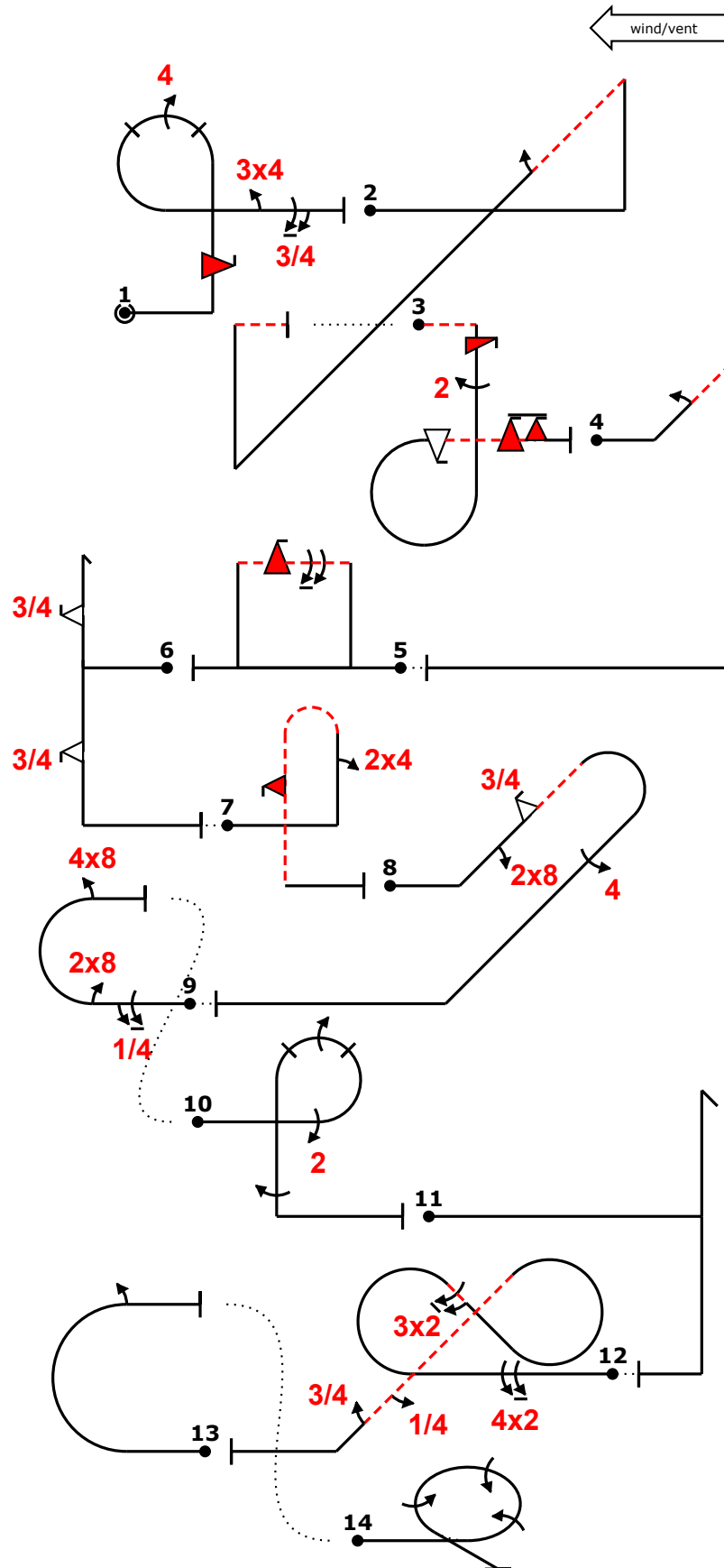
No	Symbol	Cat. No.	K	Total K	Grade	Pos	Remarks	Item	K	Grade
1		8.6.1.1 9.10.6.4 9.4.3.4 9.4.3.3 9.1.3.7	11 19 11 8 11	Fig F 60	.			Pos.	40	
2		1.3.11.1 9.1.4.2	20 4	additional 6	.			Harm.	0	
3		8.6.2.4 9.12.1.4 9.2.5.4 9.9.3.4 9.10.3.6	12 7 9 11 16	Fig A 55	.			Fig K	444	Total K 484
4		1.2.3.1 9.1.2.2	12 6	additional 6	.			Penalties		
5		7.4.3.1 9.10.3.4 9.1.3.8	14 13 12	Fig E 39	.			Too Low		
6		5.2.1.1 9.9.1.3 9.9.5.3	17 15 11	Fig B 43	.			Too High		
7		8.4.3.1 9.4.1.2 9.10.5.2	15 9 13	Fig G 37	.			Interruptions		
8		8.4.15.1 9.8.2.1 9.9.2.3 9.4.4.4	12 5 13 11	Fig C 41	.			Insertions		
9		7.2.2.1 9.1.3.5 9.8.3.1 9.8.3.2	6 9 3 7	Fig I 25	.			Trg Violation		
10		8.6.5.1 9.2.3.4 9.1.3.4 9.1.5.4	11 9 8 8	Fig D 36	.			Wing Rocks		
11		5.2.1.1	17	additional 6	.			Disqual Fig		
12		7.8.4.1 9.2.3.8 9.2.4.6 9.1.4.1 9.1.4.3	19 15 12 2 6	Fig H 54	.			Other(note...)		
13		7.2.2.1 9.1.3.2	6 4	additional 6	.			Final Freestyle		
14		2.3.4.1	30	Fig J 30	.			Duration	Min	Sec

Judges Details		
Signature		
Name		
Number		

Prog B UNL Pilot
 A/C



		Form B
Pilot ID	CIVA Unlimited Programme3	
	Flight #	

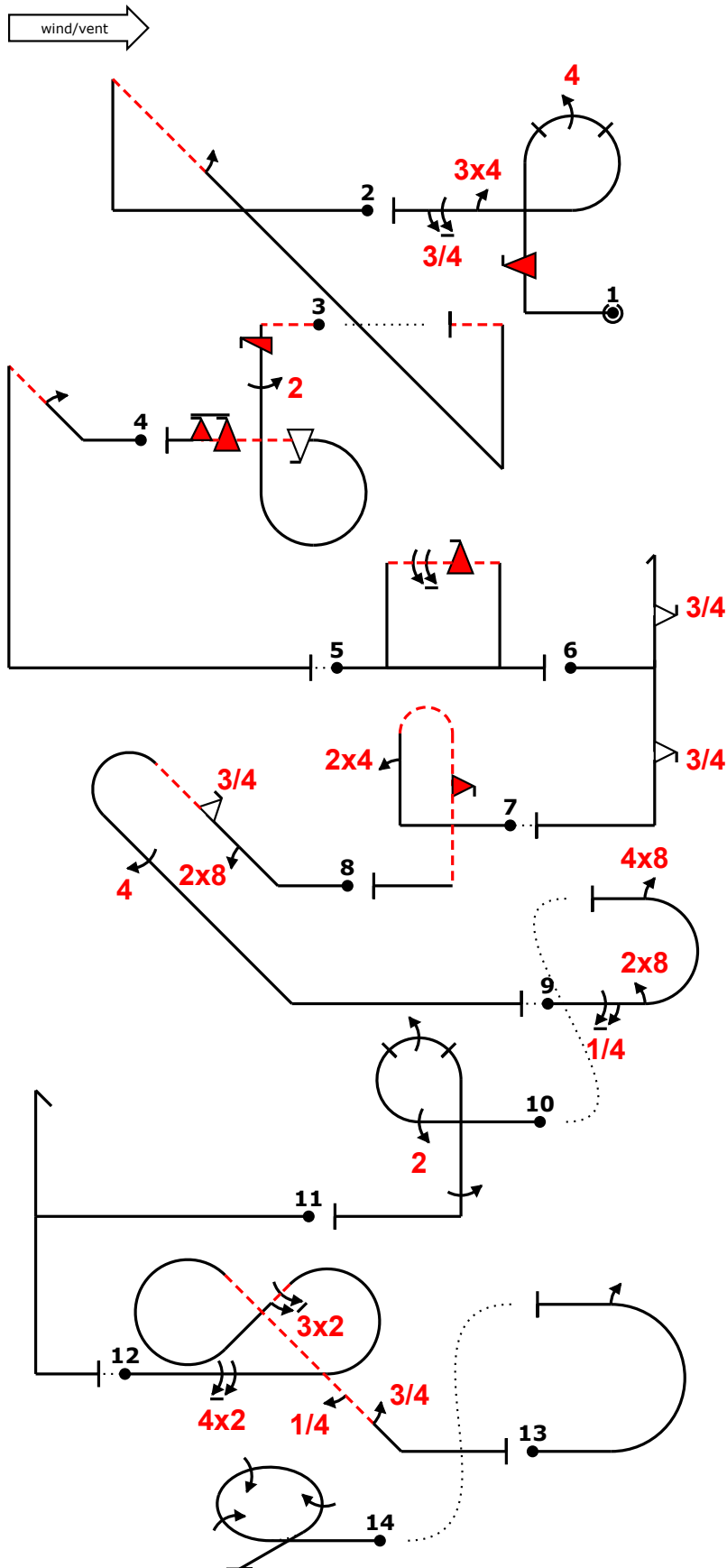


eu "0F" -1% +',if'rp(,44)...34',7+` "0L" ++++n('2.....')- (6,0) "0A" -`is',22irp',f.,6if+` "0L" 2t.....++
 ++++ (2,0) "0E" go'if,9` "0B" ~-3fh.,3f.+~ (-2,0) "0G" ~~,24pb`2if. "0C" -3% +8.,3f.'rdb'44.....'++++ (2,0) "0I"
 5,8m48 (0,17) "0D" -2% .,22p(,1).,1+~ "0L" 2% ~++++h.' (2,0) "0H" 42...'cc(,32`)...'4',3` "0L" 4% m2 (8,
 18) "0J" /3j3 eu eu eu eu eu eu eu eu eu eu eu eu eu eu eu eu

Prog B UNL Pilot
 A/C



		Form C
Pilot ID	CIVA Unlimited Programme3	
	Flight #	



```

eu "0F" -1% +',if'irp(,44)...34',7+~~ "0L" ++++n('2.....')- (6,0) "0A" -...is',22irp',f.,6if+~~ "0L" 2t.....++
++++- (2,0) "0E" go'if,9~~ "0B" ~-3fh.,3f.+~ (-2,0) "0G" ~~,24pb'2if. "0C" -3% +,8.,3f.'rdb'44.....'++++- (2,0) "0I"
5,8m48 (0,17) "0D" -2% .,22p(,1).,1+~ "0L" 2% ~++++h.' (2,0) "0H" .....42...'cc(,32')....'4',3' "0L" 4% m2 (8,
18) "0J" /3j3 eu eu eu eu eu eu eu eu eu eu eu eu eu eu eu
  
```

Prog B UNL Pilot
A/C



CIVA Unlimited

Programme3

Figure K

444

Total K

484

Judges Name

Flight #

Signature

Number

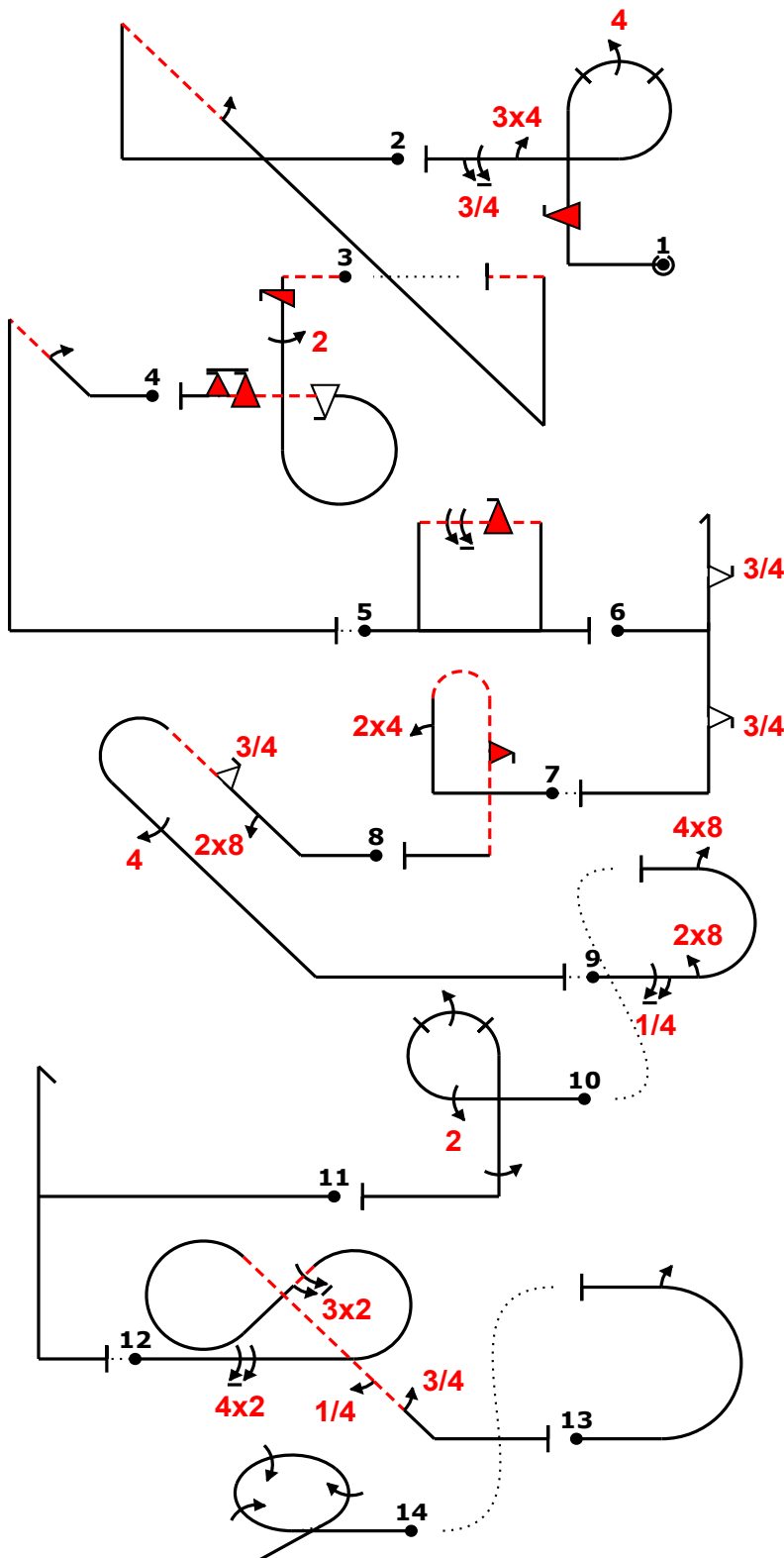
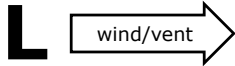


Fig	Grade	Pos	Remarks
1	.		
2	.		
3	.		
4	.		
5	.		
6	.		
7	.		
8	.		
9	.		
10	.		
11	.		
12	.		
13	.		
14	.		

Positioning

40

.

Too Low

Trg Violation

Too High

Wing Rocks

Interruptions

Disqual Fig

Insertions

Other(note...)

eu "0F" -1% +,if"rp(,44)...34",7+>>> "0L" +++++n(1,2.....)'- (6,0) "0A" ->>>is',22irp',f
 .,6if+>>> "0L" 2t.....+++++ (2,0) "0B" qo'if,9>> "0B" --3fh.,3f,+-- (-2,0) "0C" -->,24pb`>,2if.
 "0C" -3% +,8.,3f.'rdb'44.....'+++++ (2,0) "0I" 5,8m48 (0,17) "0D" -2% .,22p(,1),1+-- "0L" 2% -
 +>>>h.' (2,0) "0H" >>>>>>>>42.'cc(,32')...!4',3'>>>>>> "0L" 4% m2 (8,18) "0J" /3j3 eu eu e

Fig	F	K	Fig	2 L	K	Fig	3 A	K	Fig	4 L	K	Fig	5 E	K	Fig	6 B	K	Fig	7 G	K	Fig	8 C	K	Fig	9 I	K	Fig	10 D	K	Fig	11 L	K	Fig	12 H	K	Fig	13 L	K	Fig	14 J	K
8.6.1.1	11	13.11.1	20	8.6.2.4	12	1.2.3.1	12	7.4.3.1	14	5.2.1.1	17	8.4.3.1	15	8.4.15.1	12	7.2.2.1	6	8.6.5.1	11	5.2.1.1	17	7.8.4.1	19	7.2.2.1	6	2.3.4.1	30														
9.10.6.4	19	9.1.4.2	4	9.12.1.4	7	9.1.2.2	6	9.10.3.4	13	9.9.1.3	15	9.4.1.2	9	9.8.2.1	5	9.1.3.5	9	9.2.3.4	9			9.2.3.8	15	9.1.3.2	4																
9.4.3.4	11			9.2.5.4	9			9.1.3.8	12	9.9.5.3	11	9.10.5.2	13	9.9.2.3	13	9.8.3.1	3	9.1.3.4	8			9.2.4.6	12																		
9.4.3.3	8			9.9.3.4	11									9.4.4.4	11	9.8.3.2	7	9.1.5.4	8			9.1.4.1	2																		
9.1.3.7	11			9.10.3.6	16																	9.1.4.3	6																		
	60		6		55		6		39		43		37		41		25		36		6		54		6		30														

Pilot: Proq B UNL

A/C:

wind/vent ←

