



CIVA		Form A
Pilot ID	CIVA Advanced Programme3	Flight #

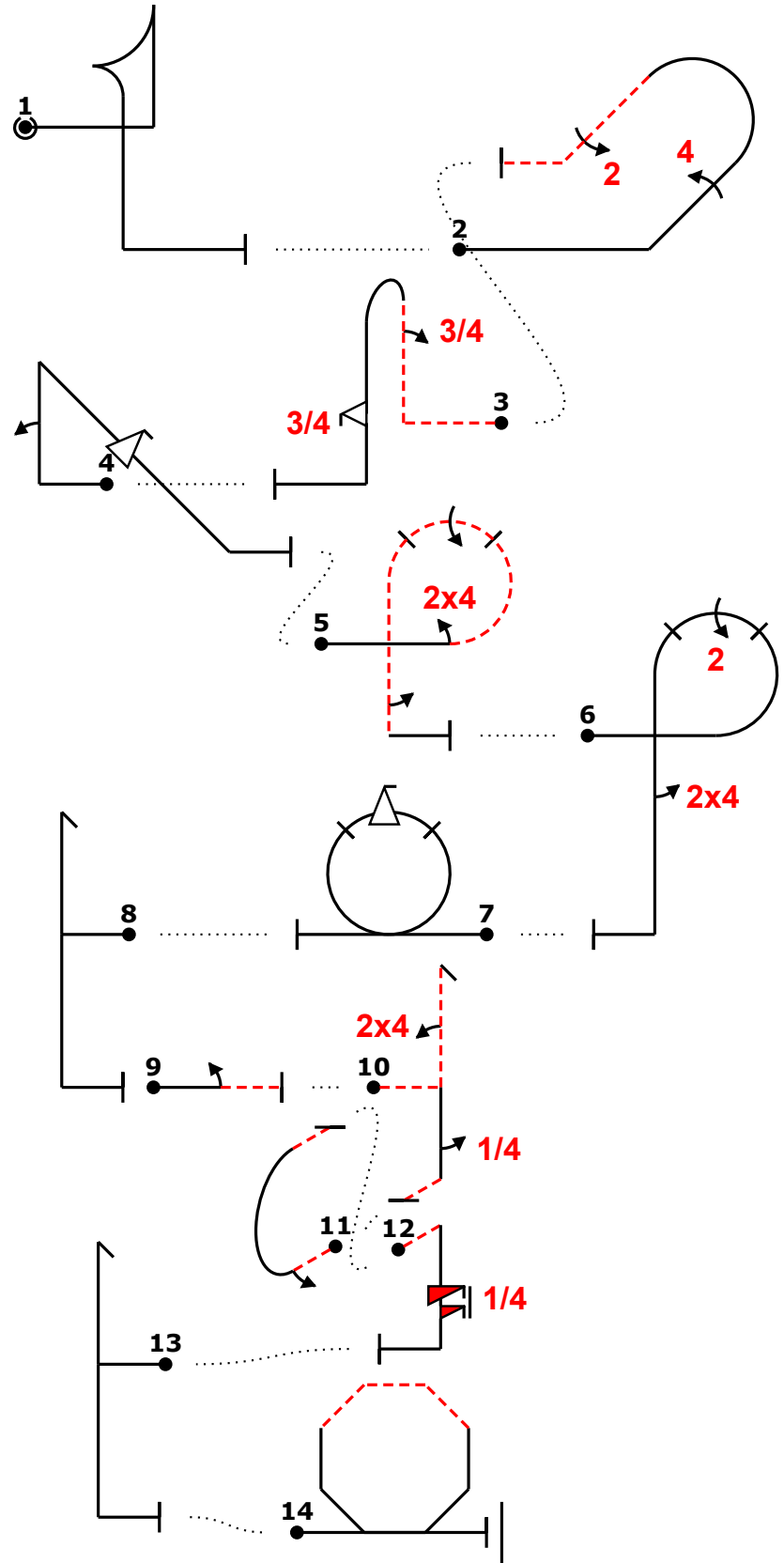
No	Symbol	Cat. No.	K	Total K	Grade	Pos	Remarks	Item	K	Grade
1		6.2.1.1	15	Fig J 15	.			Pos.	30	
2		8.4.13.1 9.4.2.4 9.2.4.4	11 13 9	Fig B 33	.			Harm.	0	
3		8.4.4.2 9.1.1.3 9.9.5.3	14 10 11	Fig A 35	.			Fig K	286	Total K 316
4		1.2.6.1 9.1.1.2 9.9.4.4	14 8 11	Fig D 33	.			Penalties		
5		8.6.8.1 9.4.3.2 9.1.3.4 9.1.5.2	15 5 8 4	Fig I 32	.			Too Low		
6		8.6.5.1 9.2.3.4 9.4.5.2	11 9 5	Fig F 25	.			Too High		
7		7.4.1.1 9.9.3.4	10 11	Fig H 21	.			Interruptions		
8		5.2.1.1	17	additional 6	.			Insertions		
9		1.1.1.3 9.1.3.2	2 4	additional 6	.			Trg Violation		
10		5.2.1.2 9.4.1.2 9.1.5.1	23 9 2	Fig C 34	.			Wing Rocks		
11		7.2.3.2 9.1.3.2	7 4	additional 6	.			Disqual Fig		
12		1.1.7.4 9.12.1.5	9 6	Fig E 15	.			Other(note...)		
13		5.2.1.1	17	additional 6	.			Final Freestyle		
14		7.4.6.1	19	Fig G 19	.			Duration	Min	Sec
								Judges Details		
								Signature		
								Name		
								Number		

Prog B ADV Pilot
 A/C



		Form B
Pilot ID	CIVA Advanced Programme3	
	Flight #	

wind/vent ←

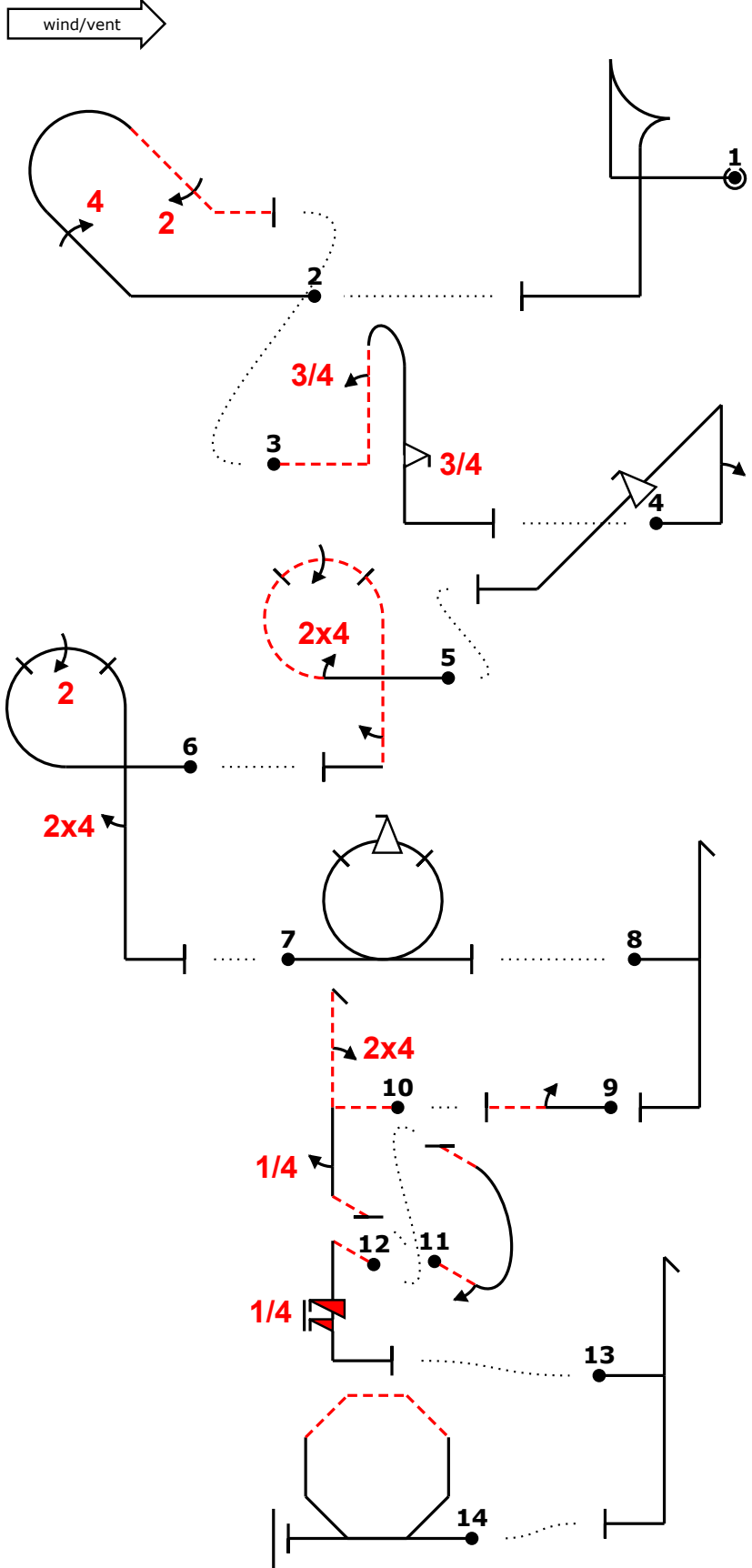


"@J" ta (10,0) "@B" 44db22- (4,17) "EA" -,3b,3f> (-7,0) "ED" ``2kf' (-2,6) "EI" 24p(1)2 (5,0) "EF" p(22)24.. (-3,0) "EH" of (-7,0) "EL" h.' "EL" 2- (2,0) "EC" -24h4- (-1,1) "EL" -2m- (1,10) "EB" -iv5is`` (-10,1) "EL" h.' (5,1) "EG" qq

Prog B ADV Pilot
A/C



		Form C
Pilot ID	CIVA Advanced Programme3	
	Flight #	



"@J" ta (10,0) "@B" 44db22- (4,17) "@A" -,3b,3f> (-7,0) "@D" ``2kf' (-2,6) "@I" 24p(1)2 (5,0) "@F" p(22)24..' (-3,0) "@H" of (-7,0) "@L" h.' "@L" 2- (2,0) "@C" -24h4- (-1,1) "@L" -2m- (1,10) "@E" -iv5is`` (-10,1) "@L" h.' (5,1) "@G" qq

Prog B ADV Pilot
A/C

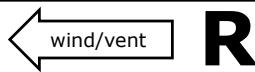


Figure K
286
Total K
316

Judges Name	
Signature	Number

Flight #

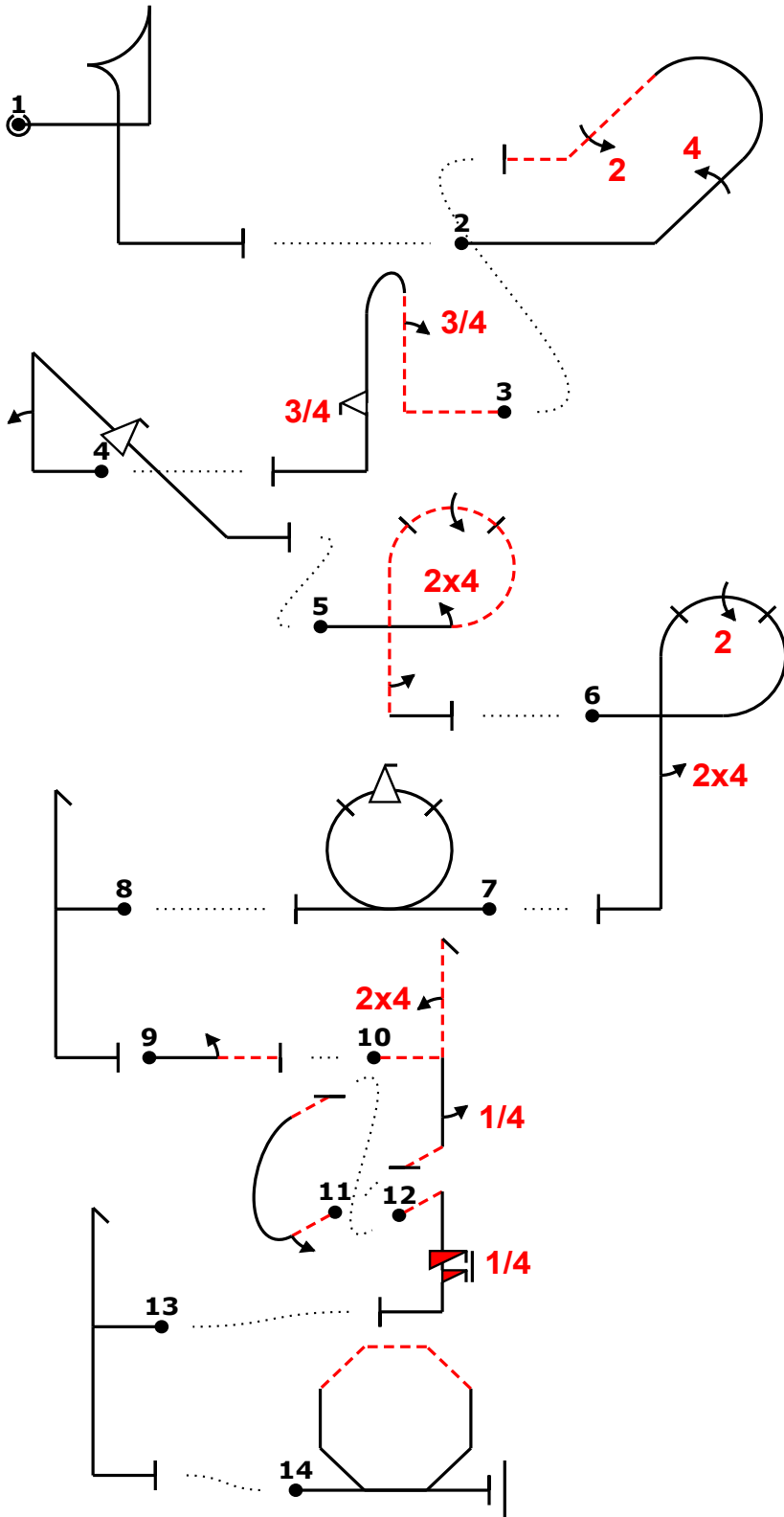


Fig	Grade	Pos	Remarks
1	.		
2	.		
3	.		
4	.		
5	.		
6	.		
7	.		
8	.		
9	.		
10	.		
11	.		
12	.		
13	.		
14	.		

Positioning
30

Too Low		Trg Violation	
Too High		Wing Rocks	
Interruptions		Disqual Fig	
Insertions		Other(note...)	

"@J" ta (10,0) "@B" 44db22- (4,17) "eA" -,3b,3f> (-7,0) "@D" ``2kf' (-2,6) "@I" 24p(1)2 (5,0) "@F" p(22)24... (-3,0) "@H" of (-7,0) "@L" h.' "@L" 2- (2,0) "@C" -24h4- (-1,1) "@L" -2m- (1,10) "@E" -i v5is`` (-10,1) "@L" h.' (5,1) "@G" qq

Fig 1 J	K	Fig 2 B	K	Fig 3 A	K	Fig 4 D	K	Fig 5 I	K	Fig 6 F	K	Fig 7 H	K	Fig 8 L	K	Fig 9 L	K	Fig 10 C	K	Fig 11 L	K	Fig 12 E	K	Fig 13 L	K	Fig 14 G	K
6.2.1.1	15	8.4.13.1	11	8.4.4.2	14	1.2.6.1	14	8.6.8.1	15	8.6.5.1	11	7.4.1.1	10	5.2.1.1	17	1.1.1.3	2	5.2.1.2	23	7.2.3.2	7	1.1.7.4	9	5.2.1.1	17	7.4.6.1	19
		9.4.2.4	13	9.1.1.3	10	9.1.1.2	8	9.4.3.2	5	9.2.3.4	9	9.9.3.4	11			9.1.3.2	4	9.4.1.2	9	9.1.3.2	4	9.12.1.5	6				
		9.2.4.4	9	9.9.5.3	11	9.9.4.4	11	9.1.3.4	8	9.4.5.2	5							9.1.5.1	2								
	15		33		35		33		32		25		21		6		6		34		6		15		6		19

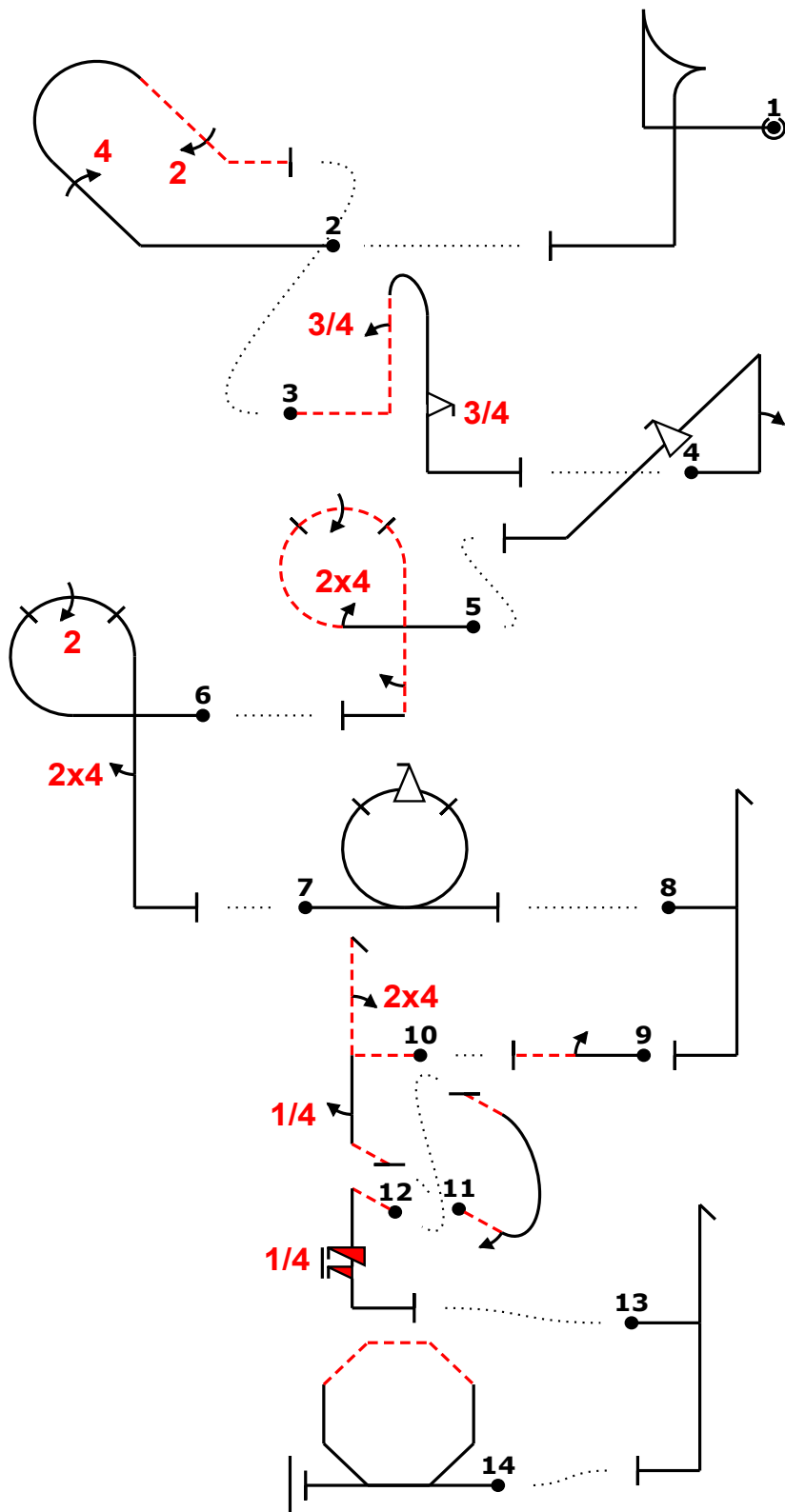
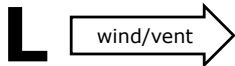


Fig	Grade	Pos	Remarks
1	.		
2	.		
3	.		
4	.		
5	.		
6	.		
7	.		
8	.		
9	.		
10	.		
11	.		
12	.		
13	.		
14	.		

Positioning

30

.

Too Low

Too High

Interruptions

Insertions

Trg Violation

Wing Rocks

Disqual Fig

Other(note...)

"@J" ta (10,0) "@B" 44db22- (4,17) "@A" - ,3b,3f> (-7,0) "@D" ``2kf' (-2,6) "@I" 24p(1)2 (5,0) "@F" p(22)24... (-3,0) "@H" of (-7,0) "@L" h.' "@L" 2- (2,0) "@C" -24h4- (-1,1) "@L" -2m- (1,10) "@E" -i v5is`` (-10,1) "@L" h.' (5,1) "@G" qq

Fig 1 J	K	Fig 2 B	K	Fig 3 A	K	Fig 4 D	K	Fig 5 I	K	Fig 6 F	K	Fig 7 H	K	Fig 8 L	K	Fig 9 L	K	Fig 10 C	K	Fig 11 L	K	Fig 12 E	K	Fig 13 L	K	Fig 14 G	K
6.2.1.1	15	8.4.13.1	11	8.4.4.2	14	1.2.6.1	14	8.6.8.1	15	8.6.5.1	11	7.4.1.1	10	5.2.1.1	17	1.1.1.3	2	5.2.1.2	23	7.2.3.2	7	1.1.7.4	9	5.2.1.1	17	7.4.6.1	19
		9.4.2.4	13	9.1.1.3	10	9.1.1.2	8	9.4.3.2	5	9.2.3.4	9	9.9.3.4	11			9.1.3.2	4	9.4.1.2	9	9.1.3.2	4	9.12.1.5	6				
		9.2.4.4	9	9.9.5.3	11	9.9.4.4	11	9.1.3.4	8	9.4.5.2	5							9.1.5.1	2								
	15		33		35		33	9.1.5.2	4		25		21		6		6		34		6		15		6		19

wind/vent ←

