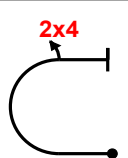
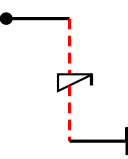
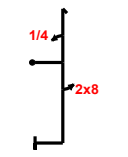
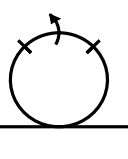
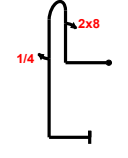
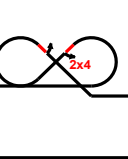
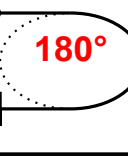
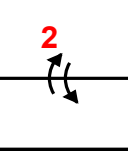
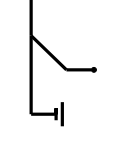




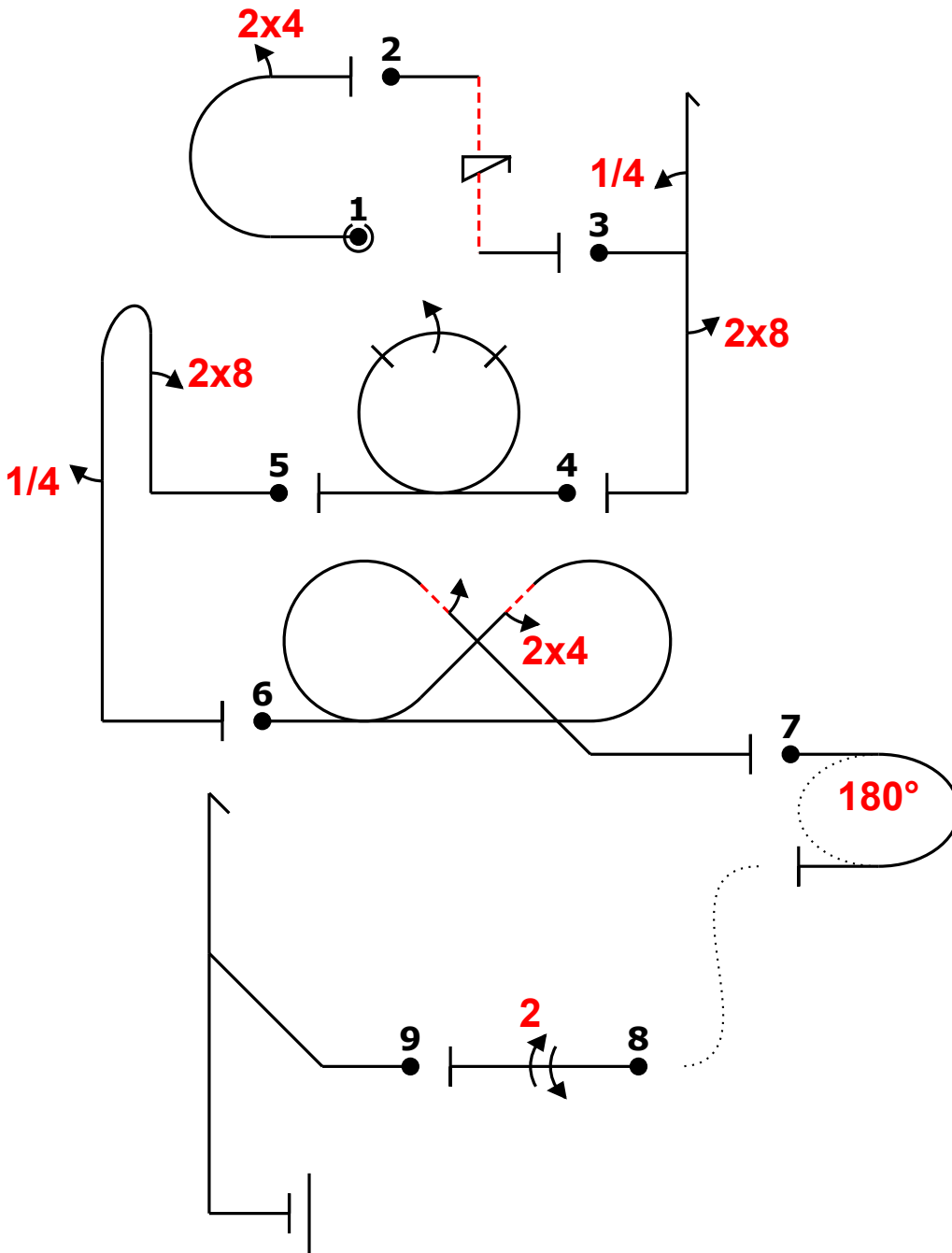
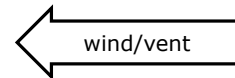
SNAC - Thun 2022		Form A
Pilot ID	SAA Sportsman UK 2	Flight #

No	Symbol	Cat. No.	K	Total K	Grade	Pos	Remarks	Item	K	Grade
1		7.2.2.1 9.4.3.2	6 5	11				Pos.	20	
2		1.1.6.3 9.11.1.4	10 5	15				Fig K		Total K
								161	181	
3		5.2.1.1 9.1.1.1 9.8.5.1	17 6 3	26				Penalties		
								Too Low		
4		7.4.1.1 9.1.3.4	10 8	18				Too High		
								Interruptions		
5		8.4.1.1 9.8.1.1 9.1.5.1	13 7 2	22				Insertions		
								Trg Violation		
6		7.8.4.1 9.4.4.2 9.1.4.2	19 5 4	28				Wing Rocks		
								Disqual Fig		
7		2.2.1.1	4	4				Other(note...)		
								Final Freestyle		
8		1.1.1.1 9.1.3.4 9.2.3.4	2 8 9	19				Duration	Min	Sec
9		5.3.1.1	18	18				Judges Details		
								Signature		
								Name		
								Number		

_____ Pilot
 A/C



SNAC - Thun 2022		Form B
Pilot ID	SAA Sportsman UK 2	Flight #



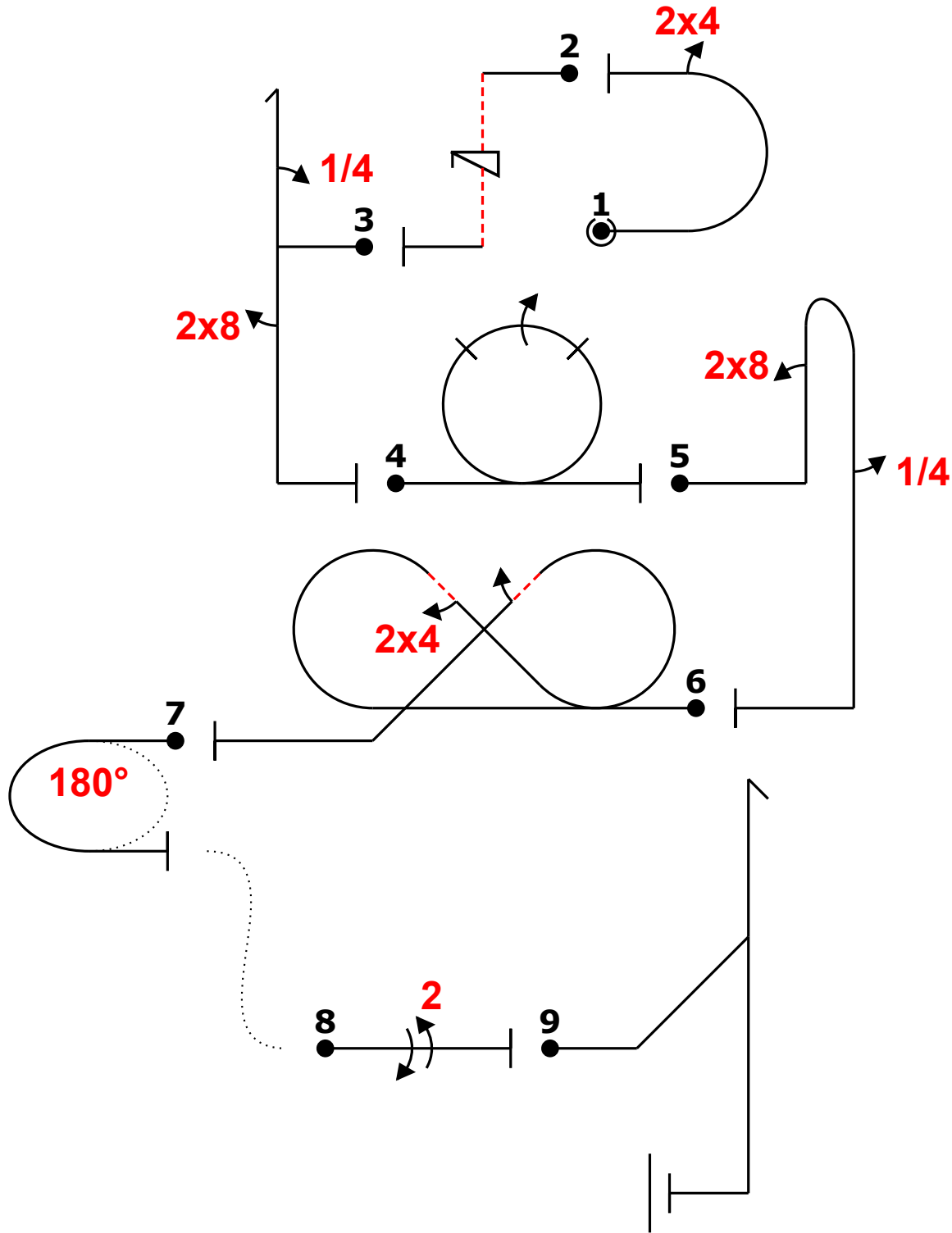
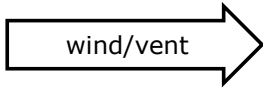
Power			
Fig	Aresti	K	
1	7.2.2.1 9.4.3.2	6 5	11
2	1.1.6.3 9.11.1.4	10 5	15
3	5.2.1.1 9.1.1.1 9.8.5.1	17 6 3	26
4	7.4.1.1 9.1.3.4	10 8	18
5	8.4.1.1 9.8.1.1 9.1.5.1	13 7 2	22
6	7.8.4.1 9.4.4.2 9.1.4.2	19 5 4	28
7	2.2.1.1	4	4
8	1.1.1.1 9.1.3.4 9.2.3.4	2 8 9	19
9	5.3.1.1	18	18
Total K = 161			

ed m24 ivs 4h8.. o1 ,8b,4..' cc(24)2 2j (-4,10) 1,22 dh..'

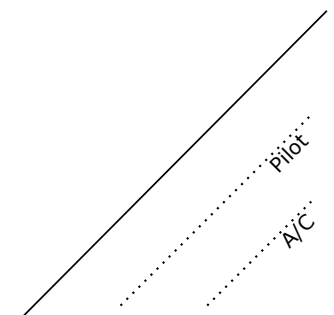




SNAC - Thun 2022		Form C
Pilot ID	SAA Sportsman UK 2	Flight #



ed m24 ivs 4h8.. o1 ,8b,4...' cc(24)2 2j (-4,10) 1,22 dh..'





SAA	Sportsman	2022
UK 2	SNAC - Thun	

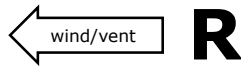


Figure K 161	Judges Name	Flight #
Total K 181	Signature	Number

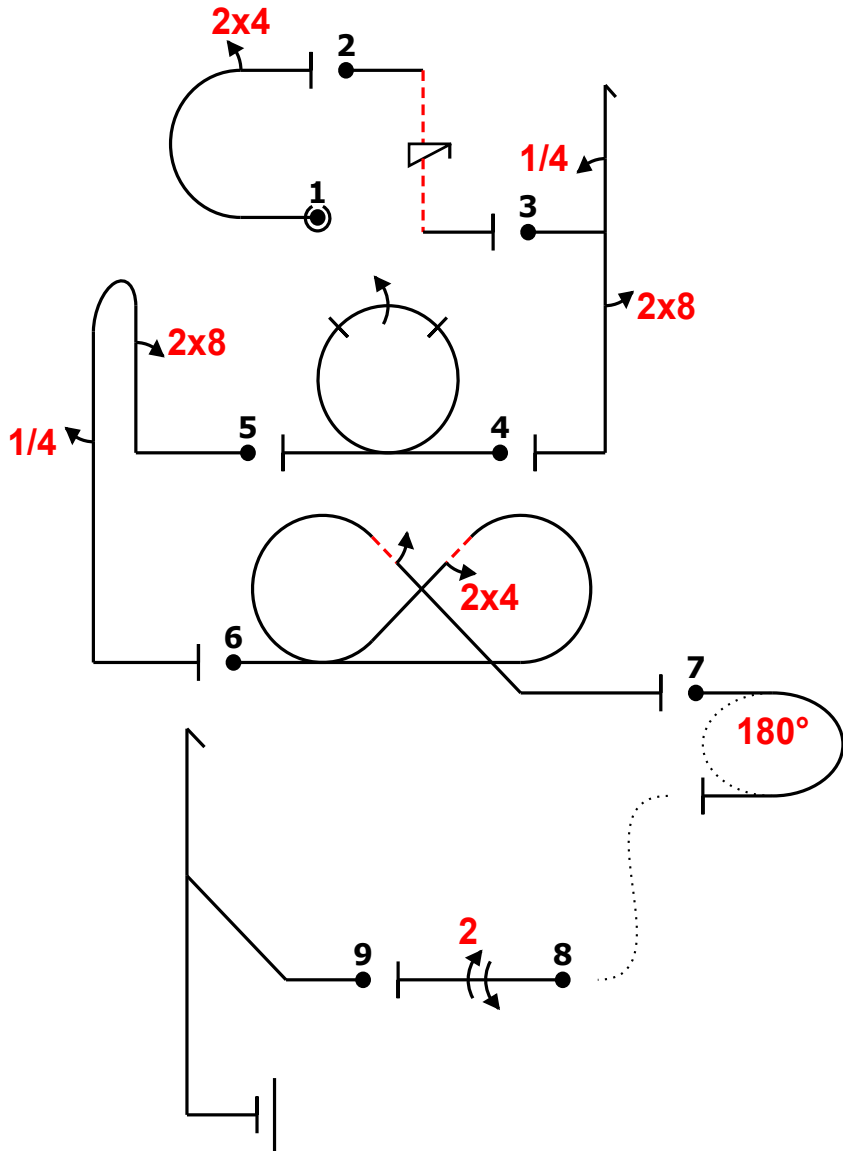


Fig	Grade	Pos	Remarks
1	.		
2	.		
3	.		
4	.		
5	.		
6	.		
7	.		
8	.		
9	.		

Positioning	
20	.

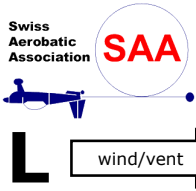
Too Low		Trg Violation	
Too High		Wing Rocks	
Interruptions		Disqual Fig	
Insertions		Other(note...)	

ed m24 ivs 4h8.. ol ,8b,4..' cc(24)2 2j (-4,10) 1,22 dh..'

Fig 1	K	Fig 2	K	Fig 3	K	Fig 4	K	Fig 5	K	Fig 6	K	Fig 7	K	Fig 8	K	Fig 9	K
7.2.2.1	6	1.1.6.3	10	5.2.1.1	17	7.4.1.1	10	8.4.1.1	13	7.8.4.1	19	2.2.1.1	4	1.1.1.1	2	5.3.1.1	18
9.4.3.2	5	9.11.1.4	5	9.1.1.1	6	9.1.3.4	8	9.8.1.1	7	9.4.4.2	5			9.1.3.4	8		
				9.8.5.1	3			9.1.5.1	2	9.1.4.2	4			9.2.3.4	9		
SF 7	11	SF 3	15	SF 5	26	SF 7	18	SF 7	22	SF 7	28	SF 2	4	SF 7	19	SF 5	18

Pilot:

A/C:



SAA	Sportsman	2022
UK 2	SNAC - Thun	

Figure K	Judges Name		Flight #
161			
Total K	Signature	Number	
181			

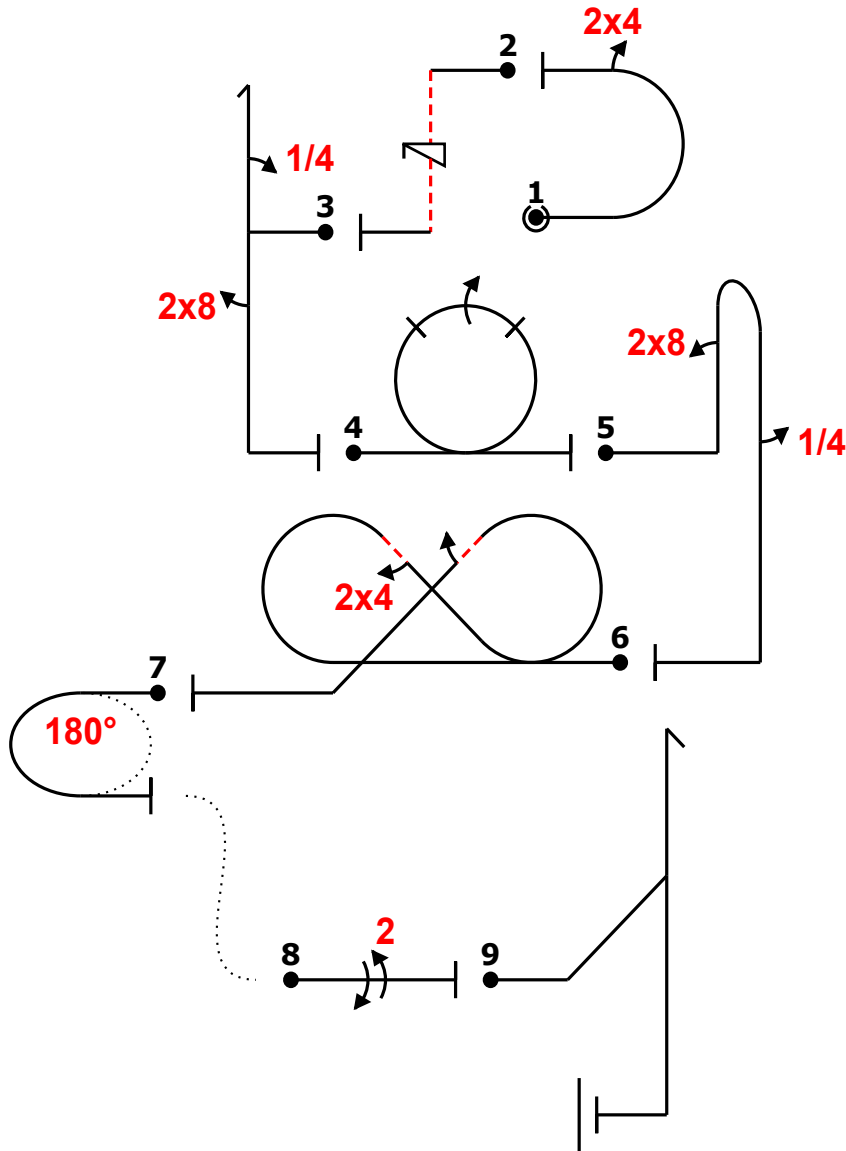


Fig	Grade	Pos	Remarks
1	.		
2	.		
3	.		
4	.		
5	.		
6	.		
7	.		
8	.		
9	.		

Positioning	
20	.

Too Low		Trg Violation	
Too High		Wing Rocks	
Interruptions		Disqual Fig	
Insertions		Other(note...)	

ed m24 ivs 4h8.. ol ,8b,4...' cc(24)2 2j (-4,10) 1,22 dh..'

Fig 1	K	Fig 2	K	Fig 3	K	Fig 4	K	Fig 5	K	Fig 6	K	Fig 7	K	Fig 8	K	Fig 9	K
7.2.2.1	6	1.1.6.3	10	5.2.1.1	17	7.4.1.1	10	8.4.1.1	13	7.8.4.1	19	2.2.1.1	4	1.1.1.1	2	5.3.1.1	18
9.4.3.2	5	9.11.1.4	5	9.1.1.1	6	9.1.3.4	8	9.8.1.1	7	9.4.4.2	5			9.1.3.4	8		
SF 7	11	SF 3	15	9.8.5.1	3	SF 7	18	9.1.5.1	2	9.1.4.2	4	SF 2	4	9.2.3.4	9	SF 5	18
				SF 5	26			SF 7	22	SF 7	28						

Pilot:

A/C:

