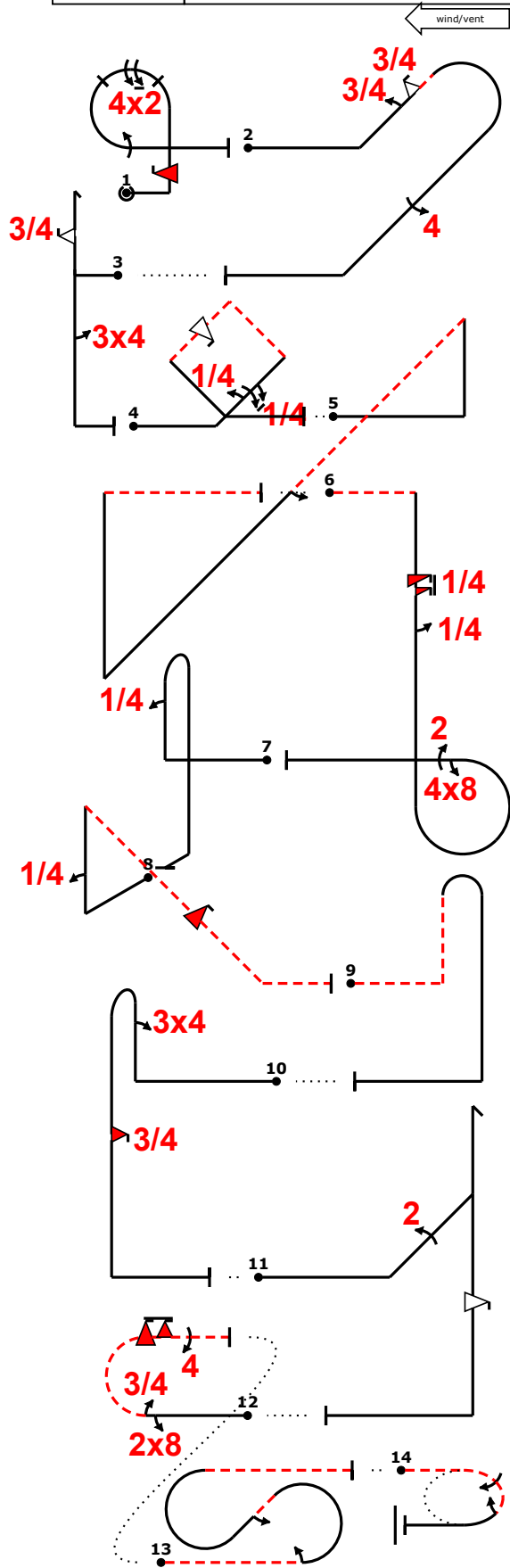




	Form A
Pilot ID	Flight #
CIVA Unlimited Programme2	

No	Symbol	Cat. No.	K	Total K	Grade	Pos	Remarks	Item	K	Grade
1		8.6.1.1 9.10.6.4 9.2.3.8 9.1.3.4	11 19 15 8	Fig B 53	.			Pos.	40	
2		8.4.15.1 9.1.2.3 9.9.2.3 9.4.4.4	12 8 13 11	Fig F 44	.			Harm.	0	
3		5.2.1.1 9.9.1.3 9.4.5.3	17 15 8	Fig H 40	.			Fig K	421	Total K 461
4		7.4.5.1 9.1.2.1 9.1.2.5 9.9.9.4	15 4 11 13	Fig G 43	.			Penalties		
5		1.3.11.1 9.1.4.2	20 4	additional 6	.			Too Low		
6		8.6.2.4 9.12.1.5 9.1.5.1 9.8.3.2 9.2.3.4	12 6 2 7 9	Fig E 36	.			Too High		
7		8.4.1.1 9.1.1.1	13 6	additional 6	.			Interruptions		
8		1.2.5.1 9.1.1.1 9.10.4.4	14 6 13	Fig C 33	.			Insertions		
9		8.4.4.2	14	additional 6	.			Trg Violation		
10		8.4.1.1 9.4.1.3 9.10.10.3	13 12 15	Fig A 40	.			Wing Rocks		
11		5.3.1.1 9.2.2.4 9.9.5.4	18 11 11	Fig D 40	.			Disqual Fig		
12		7.2.4.1 9.8.3.1 9.1.3.3 9.10.3.6 9.4.3.4	8 3 6 16 11	Fig J 44	.			Other(note...)		
13		7.5.5.2 9.1.3.2 9.1.4.2	15 4 4	additional 6	.			Final Freestyle		
14		2.2.3.2	24	Fig I 24	.			Duration	Min	Sec
								Judges Details		
								Signature		
								Name		
								Number		

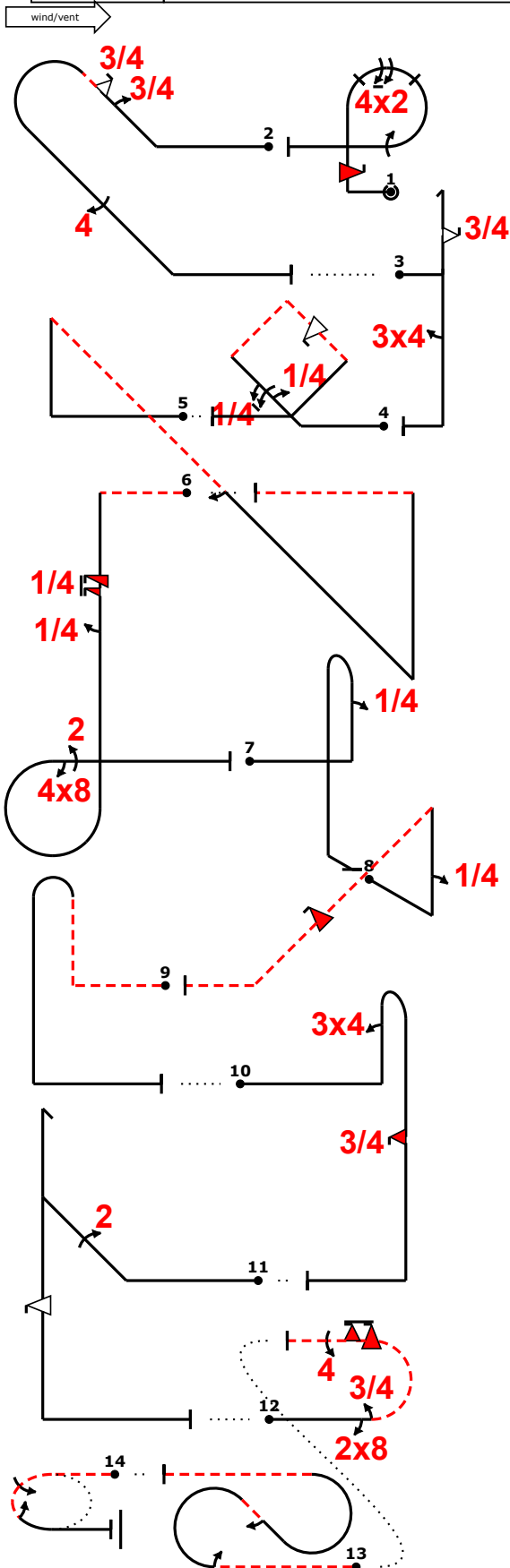
Prog A Pilot
 A/C



"@B" ifrp(42)1+- "@F" -++3;3frdb.'44..' (-7,0) "@H" 3fh.34..' "@G" 4,5dqf (-1,0) "@L" ++n(.....'2.....')..... (3,0) "@B" 2% --.5is';4..'irp'48,22++- "@L" -+4b...+` "@C" ++`4.k...'if'-- "@L" --'b...+- (-4,0) "@A" -+++,34b..3if...'+ (1, 0) "@D" +++'22''dh(')..f...+++- (-4,0) "@J" .'8,3m6if,44- (-11,23) "@L" -`2ac(2)-` (1,0) "@I" -2j15

Prog A Pilot
 A/C

		Form C
Pilot ID	CIVA Unlimited Programme2	
	Flight #	



```
"@B" ifrp(42)1+- "@F" -++3;3frdb.'44..' (-7,0) "@H" 3fh.34..' "@G" 4,5dqf (-1,0) "@L" ++n(.....'2.....')..... (3,0) "@B" 2% --.5is';4..'irp'48,22++- "@L" -+4b...+` "@C" ++`4.k...'if-- "@L" --'b..... (-4,0) "@A" -+++,34b..3if...'+ (1,0) "@D" +++'22''dh(')..f...+++- (-4,0) "@J" .''8,3m6if,44- (-11,23) "@L" -`2ac(2)- (1,0) "@I" -2j15
```

Prog A Pilot
A/C

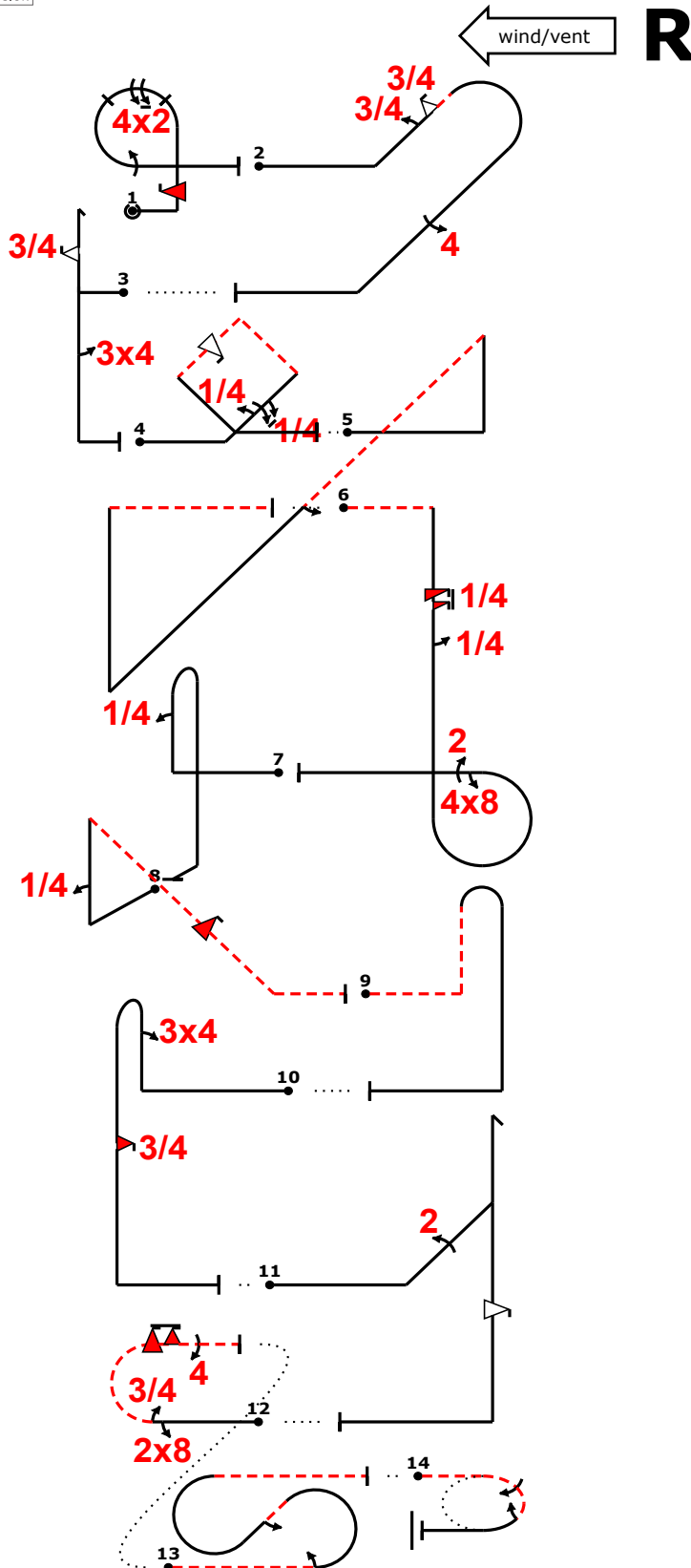


Fig	Grade	Pos	Remarks
1	.		
2	.		
3	.		
4	.		
5	.		
6	.		
7	.		
8	.		
9	.		
10	.		
11	.		
12	.		
13	.		
14	.		

Positioning
40 .

Too Low		Trg Violation	
Too High		Wing Rocks	
Interruptions		Disqual Fig	
Insertions		Other(note...)	

```
"@B" ifrp(42)l+- "@F" -++3;3frdb..'44..' (-7,0) "@H" 3fh.34..' "@G" 4,5dqf (-1,0) "@L" ++n(.....'
'2.....')..... (3,0) "@E" 2% --5is';4..'irp'48,22++- "@L" -+4b...+' "@C" ++^4.k.'if'--
"@L" --'b...++- (-4,0) "@A" -++3,4b..3if...'++- (1,0) "@D" +++'22''dh(')...f.....++- (-4,0) "@J" ..'
'8,3mfif,44- (-11,23) "@L" -^2ac(2)-> (1,0) "@I" -2j15
```

Fig 1 B	K	Fig 2 F	K	Fig 3 H	K	Fig 4 G	K	Fig 5 L	K	Fig 6 E	K	Fig 7 L	K	Fig 8 C	K	Fig 9 L	K	Fig 10 A	K	Fig 11 D	K	Fig 12 J	K	Fig 13 L	K	Fig 14 I	K
8.6.1.1	11	8.4.15.1	12	5.2.1.1	17	7.4.5.1	15	1.3.11.1	20	8.6.2.4	12	8.4.1.1	13	1.2.5.1	14	8.4.4.2	14	8.4.1.1	13	5.3.1.1	18	7.2.4.1	8	7.5.5.2	15	2.2.3.2	24
9.10.6.4	19	9.1.2.3	8	9.9.1.3	15	9.1.2.1	4	9.1.4.2	4	9.12.1.5	6	9.1.1.1	6	9.1.1.1	6			9.4.1.3	12	9.2.2.4	11	9.8.3.1	3	9.1.3.2	4		
9.2.3.8	15	9.9.2.3	13	9.4.5.3	8	9.1.2.5	11			9.1.5.1	2			9.10.4.4	13			9.10.10.3	15	9.9.5.4	11	9.1.3.3	6	9.1.4.2	4		
9.1.3.4	8	9.4.4.4	11			9.9.9.4	13			9.8.3.2	7										9.10.3.6	16					
										9.2.3.4	9											9.4.3.4	11				
	53		44		40		43		6		36		6		33		6		40		40		44		6		24

Pilot: Proq A

A/C:

wind/vent

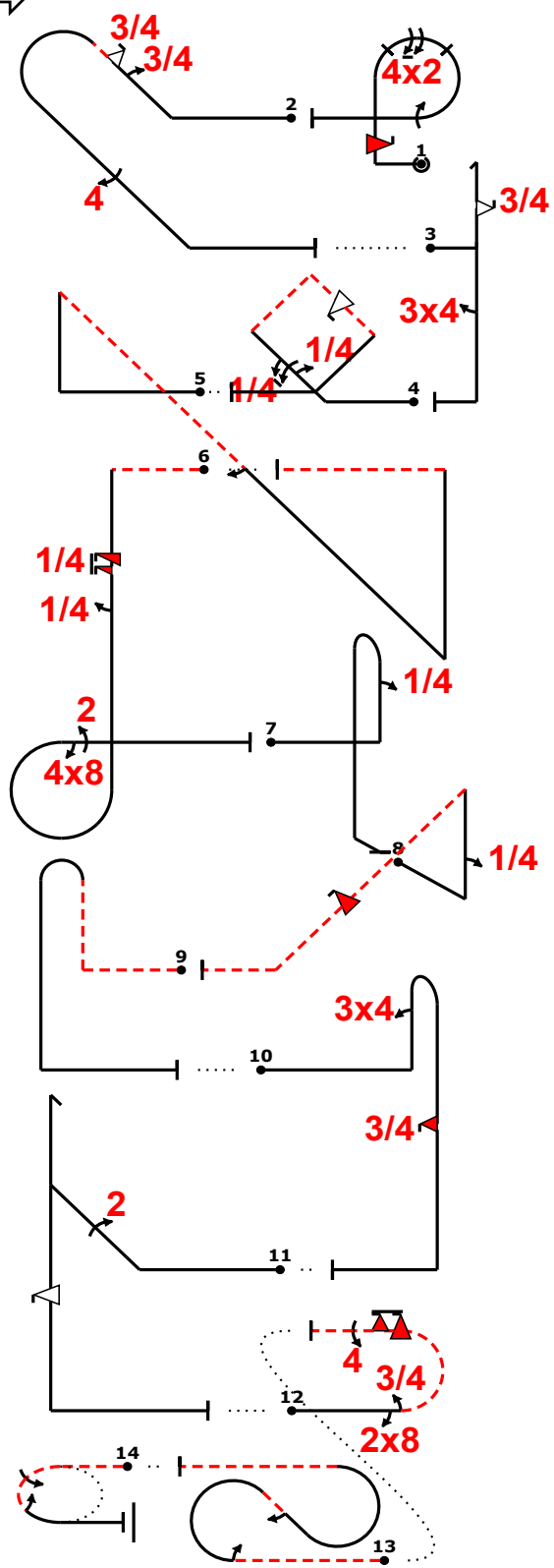


Fig	Grade	Pos	Remarks
1	.		
2	.		
3	.		
4	.		
5	.		
6	.		
7	.		
8	.		
9	.		
10	.		
11	.		
12	.		
13	.		
14	.		

Positioning
40

Too Low		Trg Violation	
Too High		Wing Rocks	
Interruptions		Disqual Fig	
Insertions		Other(note...)	

```
"@B" ifrp(42)1+- "0F" -++3;3frdb..'44..' (-7,0) "@H" 3fh.34..' "@G" 4,5dqf (-1,0) "@L" ++n(.....'
'2.....')..... (3,0) "@E" 2% --5is';4..'irp'48,22++- "@L" -+4b...+' "@C" ++'4.k.' 'if'--'
"@L" --'b...++- (-4,0) "@A" -++3,4b..3if...' +- (1,0) "@D" ++'22''dh(')...'f...+++- (-4,0) "@J" .'
'8,3mfif,44- (-11,23) "@L" --'2ac(2)-- (1,0) "@I" -2j15
```

Fig 1 B	K	Fig 2 F	K	Fig 3 H	K	Fig 4 G	K	Fig 5 L	K	Fig 6 E	K	Fig 7 L	K	Fig 8 C	K	Fig 9 L	K	Fig 10 A	K	Fig 11 D	K	Fig 12 J	K	Fig 13 L	K	Fig 14 I	K
8.6.1.1	11	8.4.15.1	12	5.2.1.1	17	7.4.5.1	15	1.3.11.1	20	8.6.2.4	12	8.4.1.1	13	1.2.5.1	14	8.4.4.2	14	8.4.1.1	13	5.3.1.1	18	7.2.4.1	8	7.5.5.2	15	2.2.3.2	24
9.10.6.4	19	9.1.2.3	8	9.9.1.3	15	9.1.2.1	4	9.1.4.2	4	9.12.1.5	6	9.1.1.1	6	9.1.1.1	6			9.4.1.3	12	9.2.2.4	11	9.8.3.1	3	9.1.3.2	4		
9.2.3.8	15	9.9.2.3	13	9.4.5.3	8	9.1.2.5	11			9.1.5.1	2			9.10.4.4	13			9.10.10.3	15	9.9.5.4	11	9.1.3.3	6	9.1.4.2	4		
9.1.3.4	8	9.4.4.4	11			9.9.9.4	13			9.8.3.2	7										9.10.3.6	16					
										9.2.3.4	9											9.4.3.4	11				
	53		44		40		43		6		36		6		33		6		40		40		44		6		24

Pilot: Proq A

A/C:

