



Pilot ID

CIVA Unlimited Programme3

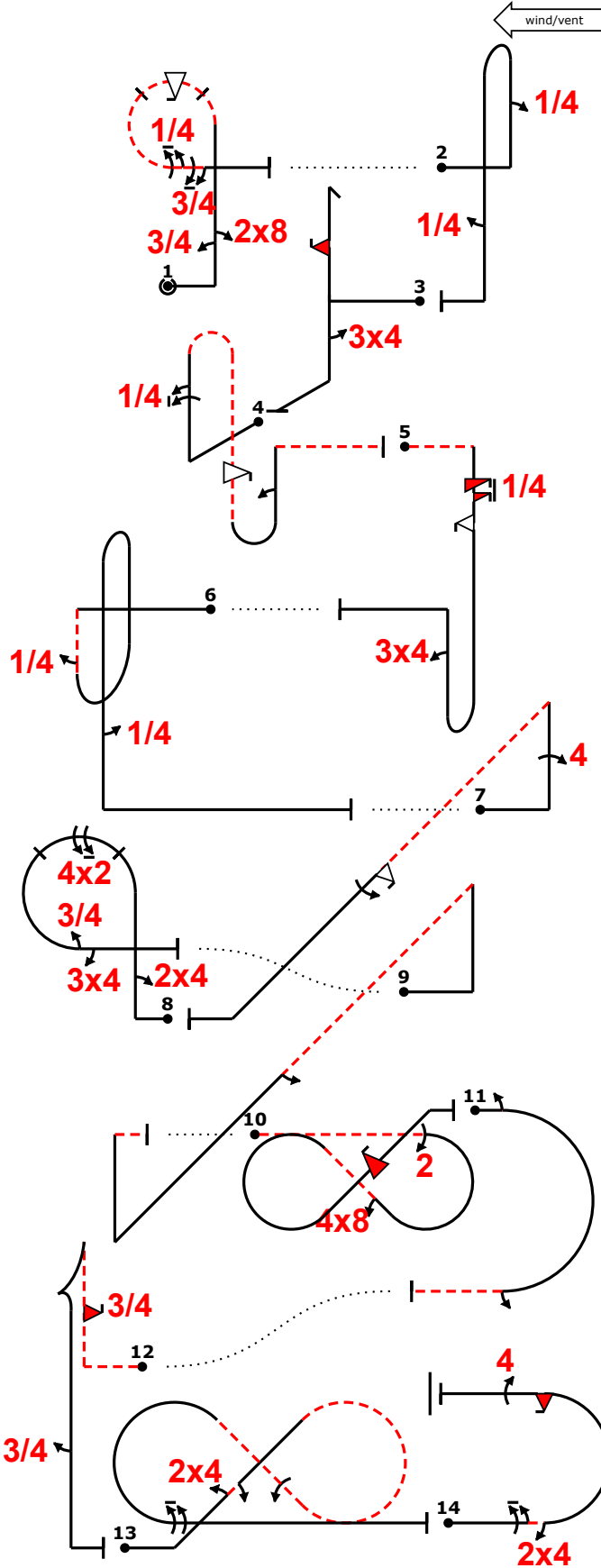
Flight #

No	Symbol	Cat. No.	K	Total K	Grade	Pos	Remarks	Item	K	Grade
1		8.6.4.1 9.1.1.3 9.8.1.1 9.9.8.4 9.1.3.5 9.1.3.7	14 10 7 13 9 11	Fig C 64	.			Pos.	40	
2		8.4.1.1 9.1.1.1 9.1.5.1	13 6 2	additional 6	.			Harm.	0	
3		5.2.1.1 9.10.6.2 9.4.5.3	17 19 8	Fig H 44	.			Fig K	525	Total K 565
4		8.8.5.1 9.1.1.5 9.9.10.4 9.1.1.2	21 14 13 8	Fig D 56	.			Penalties		
5		8.4.2.4 9.12.1.5 9.9.5.2 9.4.1.3	14 6 11 12	Fig A 43	.			Too Low		
6		8.8.8.3 9.1.5.1 9.1.5.1	19 2 2	additional 6	.			Too High		
7		1.2.7.1 9.4.1.4 9.9.9.2 9.1.4.4	13 15 13 8	Fig B 49	.			Interruptions		
8		8.6.1.1 9.4.1.2 9.2.3.8 9.1.3.3 9.4.3.3	11 9 15 6 8	Fig J 49	.			Insertions		
9		1.3.11.1 9.1.4.2	20 4	additional 6	.			Trg Violation		
10		7.8.3.4 9.2.3.4 9.8.2.2 9.10.7.4	19 9 9 17	Fig F 54	.			Wing Rocks		
11		7.2.4.3 9.1.3.2 9.1.3.2	6 4 4	additional 6	.			Disqual Fig		
12		6.2.1.4 9.10.1.3 9.1.5.3	17 17 6	Fig G 40	.			Other(note...)		
13		7.8.5.1 9.4.2.2 9.1.2.2 9.1.2.4 9.1.3.8	20 7 6 10 12	Fig I 55	.			Final Freestyle		
14		7.2.2.1 9.1.3.6 9.4.3.2 9.10.8.2 9.4.3.4	6 10 5 15 11	Fig E 47	.			Duration	Min	Sec
								Judges Details		
								Signature		
								Name		
								Number		

Prog B Pilot
A/C



		Form B
Pilot ID	CIVA Unlimited Programme3	Flight #

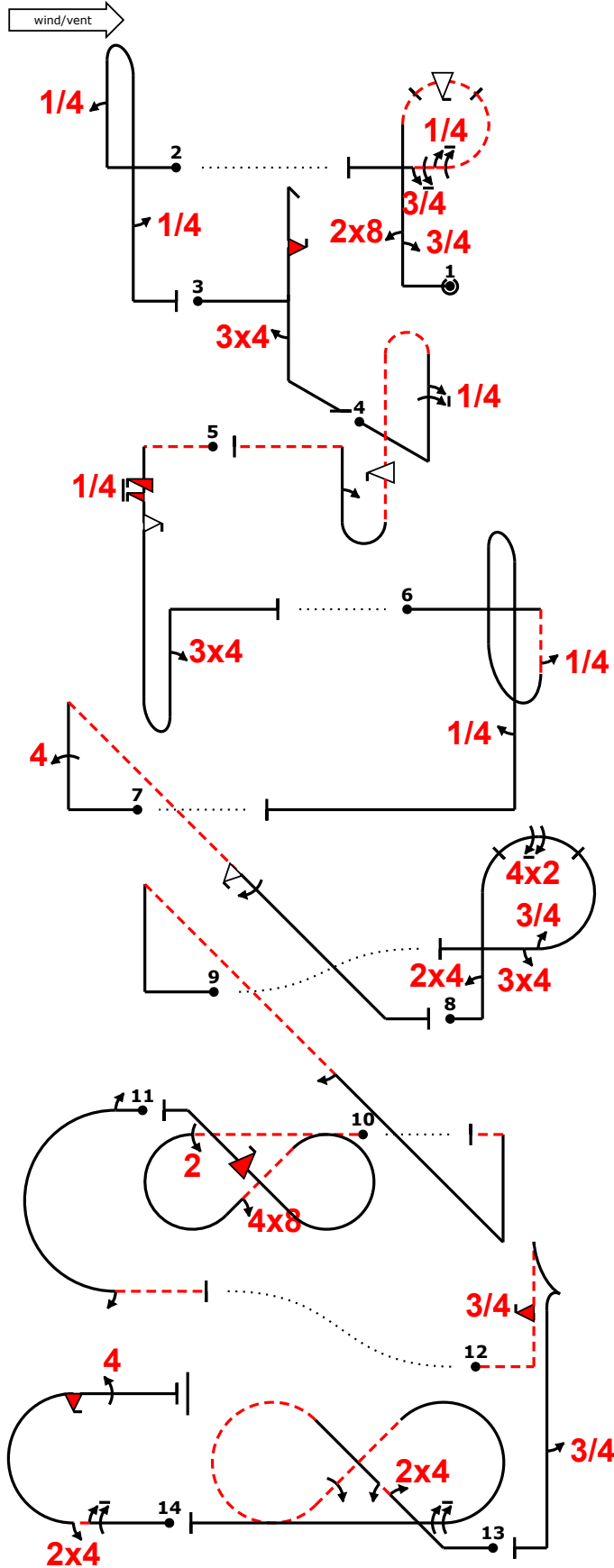


```
"@C" 3,8'rp(f)5,7 (12,0) "@L" ,4'b...4,+ "@H" -+'2if'h34'+- "@D" -+'5'pbb('f)'2-- "@A" -'5is,2f...ib34+- (-8,0) "@L" ++,4iBb(...)...4.+++++- (8,0) "@B" --,44'k...2f;1... 3% "@J" -+',24rp(42)3,34 (17,4) "@L" ---(...)'2....-.)- (6,0) "@F" 1% -',22icc(48).if' + "@L" 11% '2a2- (-21,7) "@G" -',3ifta.'',3...+ "@I" 4% -+'24,2 ~rcc(1)9 "@E" 5% 6,24m2if,44
```

Prog B Pilot
..... A/C



		Form C
Pilot ID	CIVA Unlimited Programme3	
	Flight #	



```
"@C" 3,8'rp(f)5,7 (12,0) "@L" ,4'b...4,+ "eH" -+2if'h34'+- "@D" -+5'pbb(f)'2-- "@A" -~5is,2f...''ib34+- (-8,0)
) "@L" ++,4iBb(...)'4.+++++~ (8,0) "@B" --,44'k...''2f;1... 3% "@J" -+ ,24rp(42)3,34 (17,4) "@L" ---n(...)'2....
..)- (6,0) "@F" 1% -~,22icc(48). 'if' + "eL" 11% ~2a2- (-21,7) "@G" ~,3ifta.' ,3...+ "eI" 4% ~+24,2
~rcc(1)9 "@E" 5% 6,24m2if,44
```

Prog B Pilot
..... A/C

wind/vent **R**

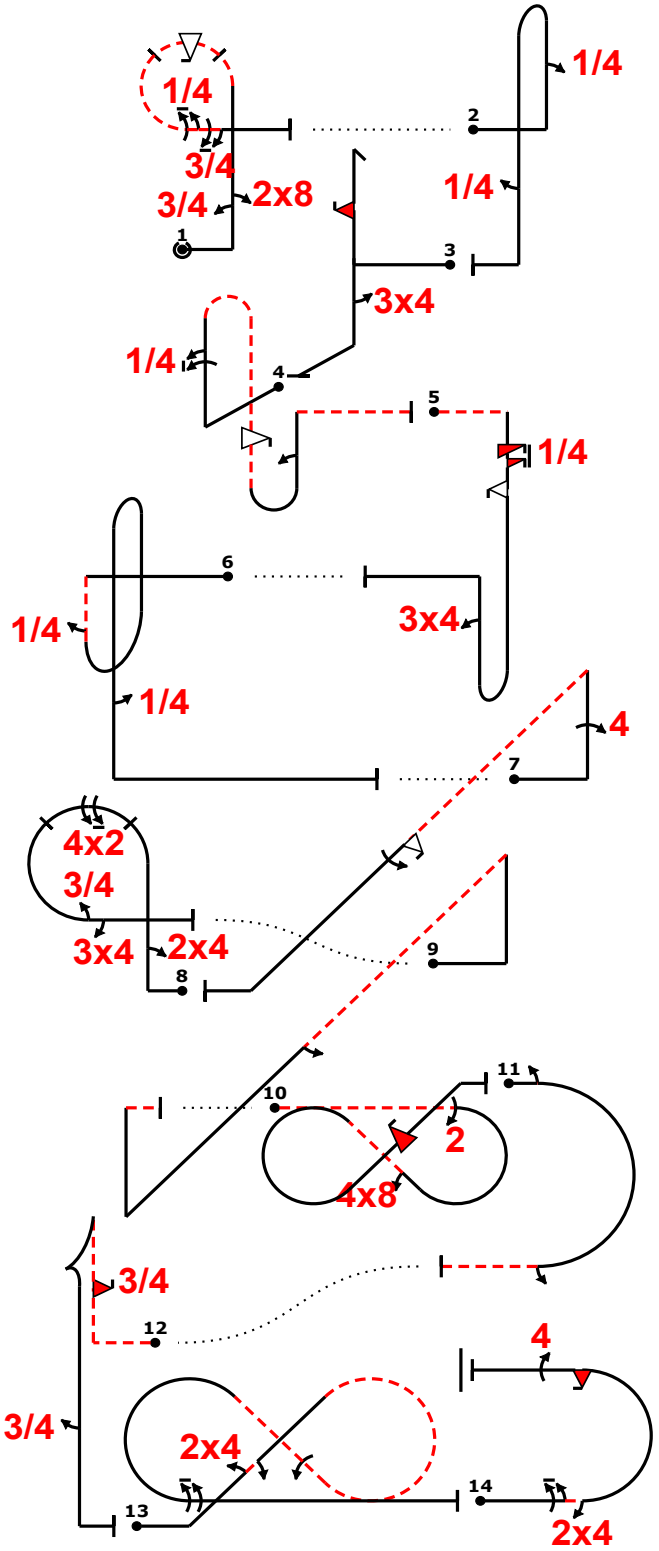


Fig	Grade	Pos	Remarks
1	.		
2	.		
3	.		
4	.		
5	.		
6	.		
7	.		
8	.		
9	.		
10	.		
11	.		
12	.		
13	.		
14	.		

Positioning
40

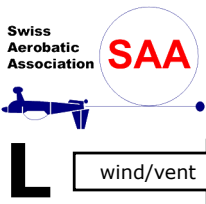
Too Low		Trg Violation	
Too High		Wing Rocks	
Interruptions		Disqual Fig	
Insertions		Other(note...)	

"@C" 3,8''rp(f)5,7 (12,0) "eL" ,4''b...''4,+'' "eH" -+''2if'h34''+- "eD" -+''5''pbb('f)'2-- "eA" -''
 ~5is,2f...''ib34+- (-8,0) "eL" ++,4ibb(.....).....''4.+++++ (8,0) "eB" --'',44''k...''2f;1... 3% "
 eJ" ++',24rp(42)3,34 (17,4) "eL" --n(.....)''2.....)- (6,0) "eF" 1% --',22icc(48).if''''+''
 "eF" 11% --'2a2- (-21,7) "eG" -----''3ifra...''3...+'' "eT" 4% -----''24.2''rcc(119 "eR" 5% 6.24m2

Fig 1 C	K	Fig 2 L	K	Fig 3 H	K	Fig 4 D	K	Fig 5 A	K	Fig 6 L	K	Fig 7 B	K	Fig 8 J	K	Fig 9 L	K	Fig 10 F	K	Fig 11 L	K	Fig 12 G	K	Fig 13 I	K	Fig 14 E	K
8.6.4.1	14	8.4.1.1	13	5.2.1.1	17	8.8.5.1	21	8.4.2.4	14	8.8.8.3	19	1.2.7.1	13	8.6.1.1	11	1.3.11.1	20	7.8.3.4	19	7.2.4.3	6	6.2.1.4	17	7.8.5.1	20	7.2.2.1	6
9.1.1.3	10	9.1.1.1	6	9.10.6.2	19	9.1.1.5	14	9.12.1.5	6	9.1.5.1	2	9.4.1.4	15	9.4.1.2	9	9.1.4.2	4	9.2.3.4	9	9.1.3.2	4	9.10.1.3	17	9.4.2.2	7	9.1.3.6	10
9.8.1.1	7	9.1.5.1	2	9.4.5.3	8	9.9.10.4	13	9.9.5.2	11	9.1.5.1	2	9.9.9.2	13	9.2.3.8	15			9.8.2.2	9	9.1.3.2	4	9.1.5.3	6	9.1.2.2	6	9.4.3.2	5
9.9.8.4	13					9.1.1.2	8	9.4.1.3	12			9.1.4.4	8	9.1.3.3	6			9.10.7.4	17					9.1.2.4	10	9.10.8.2	15
9.1.3.5	9													9.4.3.3	8									9.1.3.8	12	9.4.3.4	11
9.1.3.7	11																										
	64		6		44		56		43		6		49		49		6		54		6		40		55		47

Pilot: Proq B

A/C:



CIVA Unlimited
Programme3

Figure K
525
Total K
565

Judges Name
Signature Number

Flight #

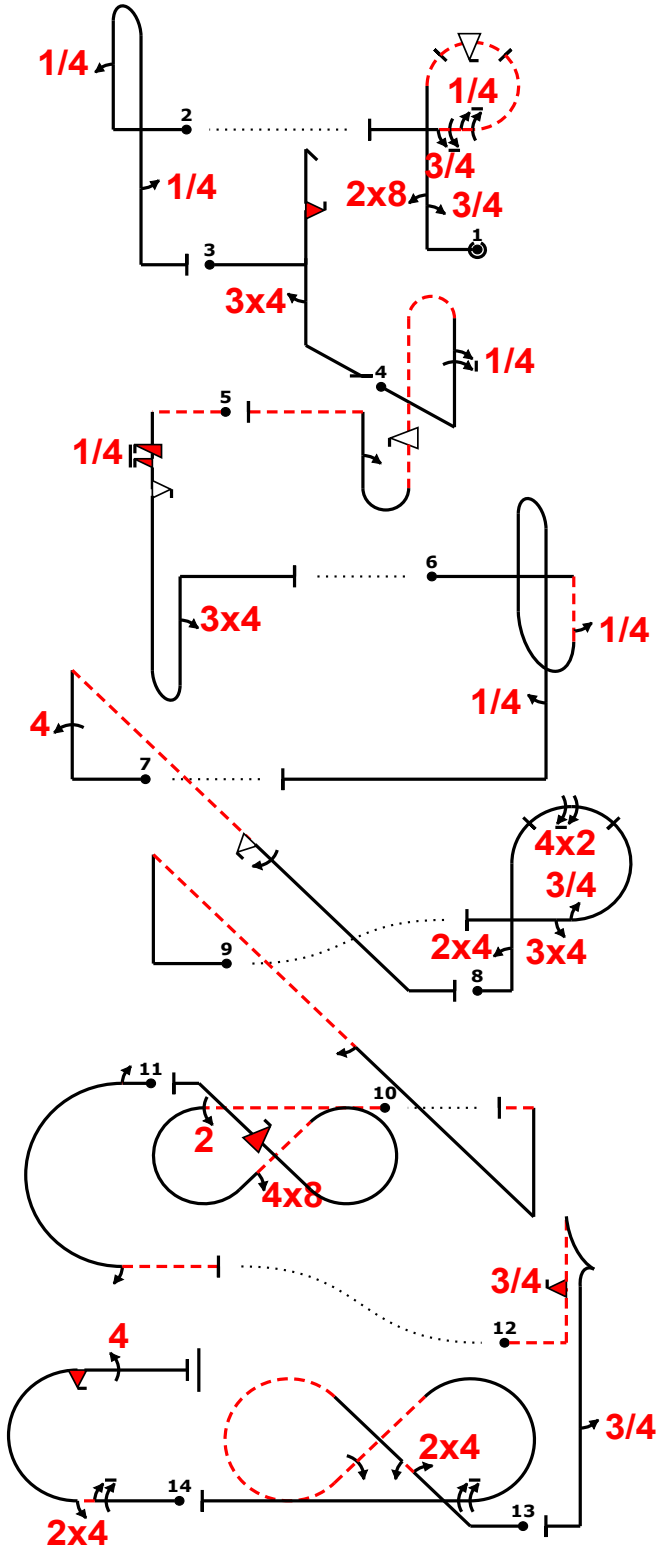


Fig	Grade	Pos	Remarks
1	.		
2	.		
3	.		
4	.		
5	.		
6	.		
7	.		
8	.		
9	.		
10	.		
11	.		
12	.		
13	.		
14	.		

Positioning
40

Too Low		Trg Violation	
Too High		Wing Rocks	
Interruptions		Disqual Fig	
Insertions		Other(note...)	

```
"@C" 3,8''rp(f)5,7 (12,0) "@L" ,4'b...''4,+'' "@H" ~+2if'h34''+ "@D" ~+5''pbb(f)'2-- "@A" ~--
~5is,2f...''ib34+~ (-8,0) "@L" ++,4ibb(.....).....''4.+++++~ (8,0) "@B" ~--',44'k...''2f;1... 3% "
@J" ~+',24rp(42)3,34 (17,4) "@L" ~-n(.....)'2.....)~ (6,0) "@F" 1% ~',22icc(48)'.if~+...
"@r," 11% ~'2a2- (-21,7) "@G" ~-...3if+...3...''+ "@T" 4% ~+24.2''rcc(19) "@R" 5% 6.24m2
```

Fig 1 C	K	Fig 2 L	K	Fig 3 H	K	Fig 4 D	K	Fig 5 A	K	Fig 6 L	K	Fig 7 B	K	Fig 8 J	K	Fig 9 L	K	Fig 10 F	K	Fig 11 L	K	Fig 12 G	K	Fig 13 I	K	Fig 14 E	K
8.6.4.1	14	8.4.1.1	13	5.2.1.1	17	8.8.5.1	21	8.4.2.4	14	8.8.8.3	19	1.2.7.1	13	8.6.1.1	11	1.3.11.1	20	7.8.3.4	19	7.2.4.3	6	6.2.1.4	17	7.8.5.1	20	7.2.2.1	6
9.1.1.3	10	9.1.1.1	6	9.10.6.2	19	9.1.1.5	14	9.12.1.5	6	9.1.5.1	2	9.4.1.4	15	9.4.1.2	9	9.1.4.2	4	9.2.3.4	9	9.1.3.2	4	9.10.1.3	17	9.4.2.2	7	9.1.3.6	10
9.8.1.1	7	9.1.5.1	2	9.4.5.3	8	9.9.10.4	13	9.9.5.2	11	9.1.5.1	2	9.9.9.2	13	9.2.3.8	15			9.8.2.2	9	9.1.3.2	4	9.1.5.3	6	9.1.2.2	6	9.4.3.2	5
9.9.8.4	13					9.1.1.2	8	9.4.1.3	12			9.1.4.4	8	9.1.3.3	6			9.10.7.4	17					9.1.2.4	10	9.10.8.2	15
9.1.3.5	9													9.4.3.3	8									9.1.3.8	12	9.4.3.4	11
9.1.3.7	11																										
	64		6		44		56		43		6		49		49		6		54		6		40		55		47

Pilot: Proq B

A/C:

