



Pilot ID

CIVA Advanced Programme2

Flight #

No	Symbol	Cat. No.	K	Total K	Grade	Pos	Remarks	Item	K	Grade
1		7.4.2.1 9.2.3.6	12 12	Fig A 24	.			Pos.	30	
								Harm.	0	
2		7.3.1.2 9.9.2.4	14 13	Fig B 27	.			Fig K	Total K	
								290	320	
3		1.1.1.3 9.1.3.2	2 4	additional 12	.			<b>Penalties</b>		
								Too Low		
4		8.6.2.4 9.12.1.6 9.2.3.4 9.1.3.2	12 5 9 4	Fig C 30	.			Too High		
								Interruptions		
5		8.4.1.1 9.1.1.1 9.9.5.3	13 6 11	Fig I 30	.			Insertions		
								Trg Violation		
6		8.4.14.1 9.4.2.4 9.1.4.2	12 13 4	Fig D 29	.			Wing Rocks		
								Disqual Fig		
7		7.4.1.1 9.9.3.4	10 11	Fig E 21	.			Other(note...)		
								<b>Final Freestyle</b>		
8		7.2.1.1 9.1.3.4 9.4.3.2 9.9.3.2	6 8 5 11	Fig F 30	.			Duration	Min	Sec
9		1.1.1.4 9.1.3.2	2 4	additional 12	.			<b>Judges Details</b>		
								Signature		
10		5.2.1.1 9.1.1.2 9.4.5.2	17 8 5	Fig J 30	.			Name		
								Number		
11		6.2.2.1	15	Fig H 15	.					
12		5.3.2.1 9.1.2.2	24 6	Fig G 30	.					

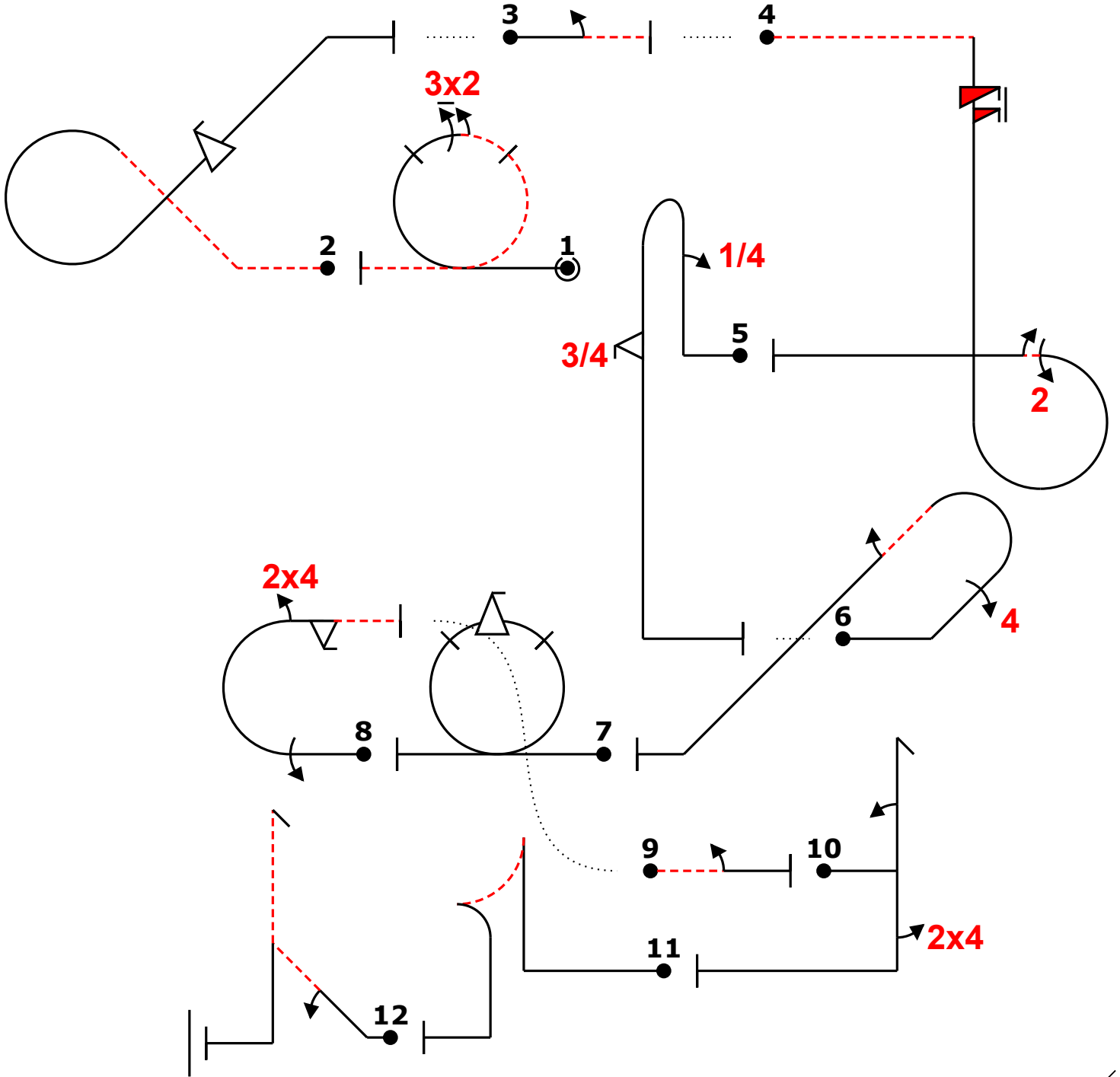
Prog A

Pilot

A/C



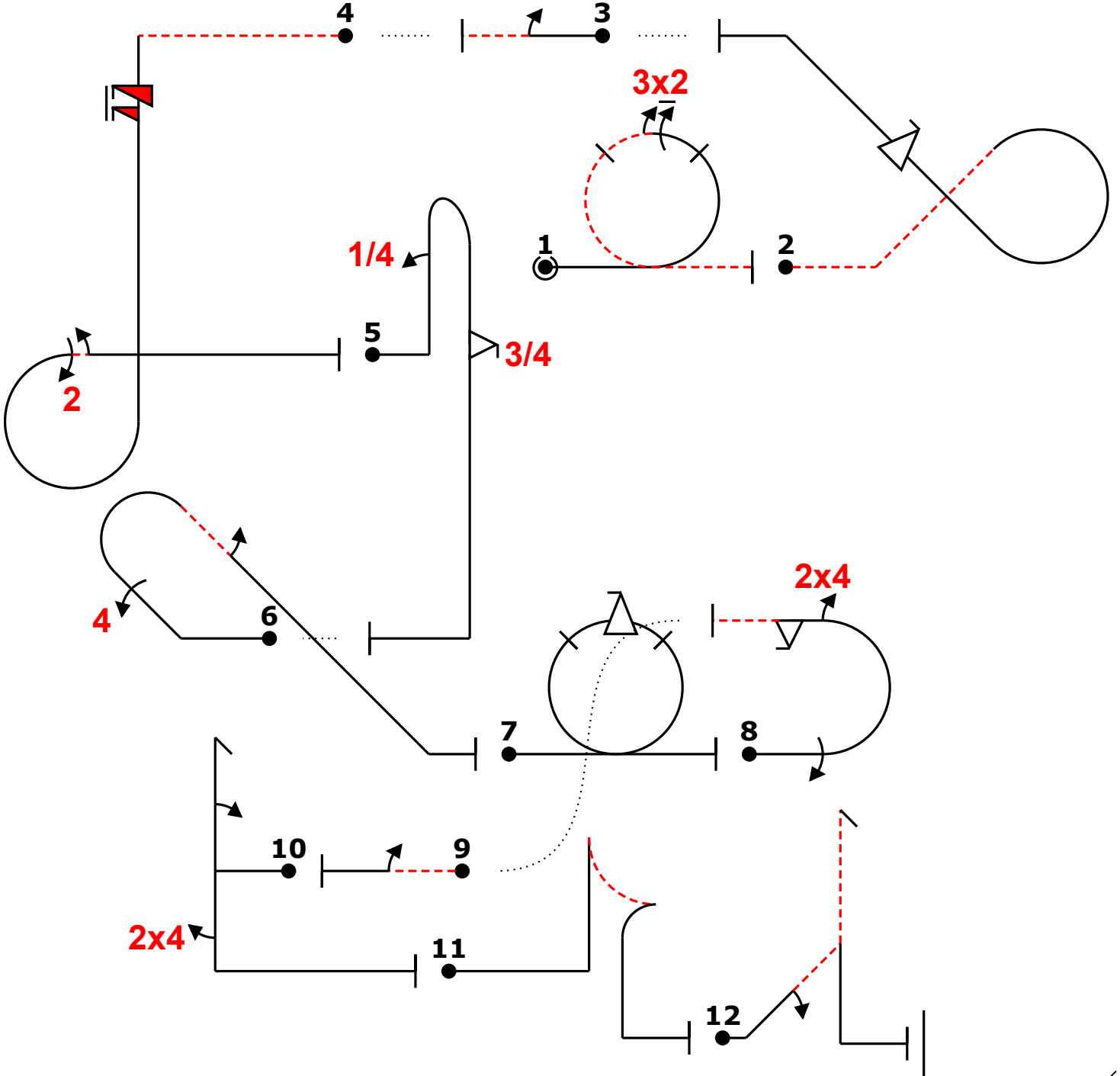
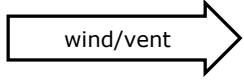
		Form B
Pilot ID	CIVA Advanced Programme2	
	Flight #	



Prog A Pilot  
A/C



		Form C
Pilot ID	CIVA Advanced Programme2	Flight #



Prog A  
 Pilot  
 A/C

wind/vent ← **R**

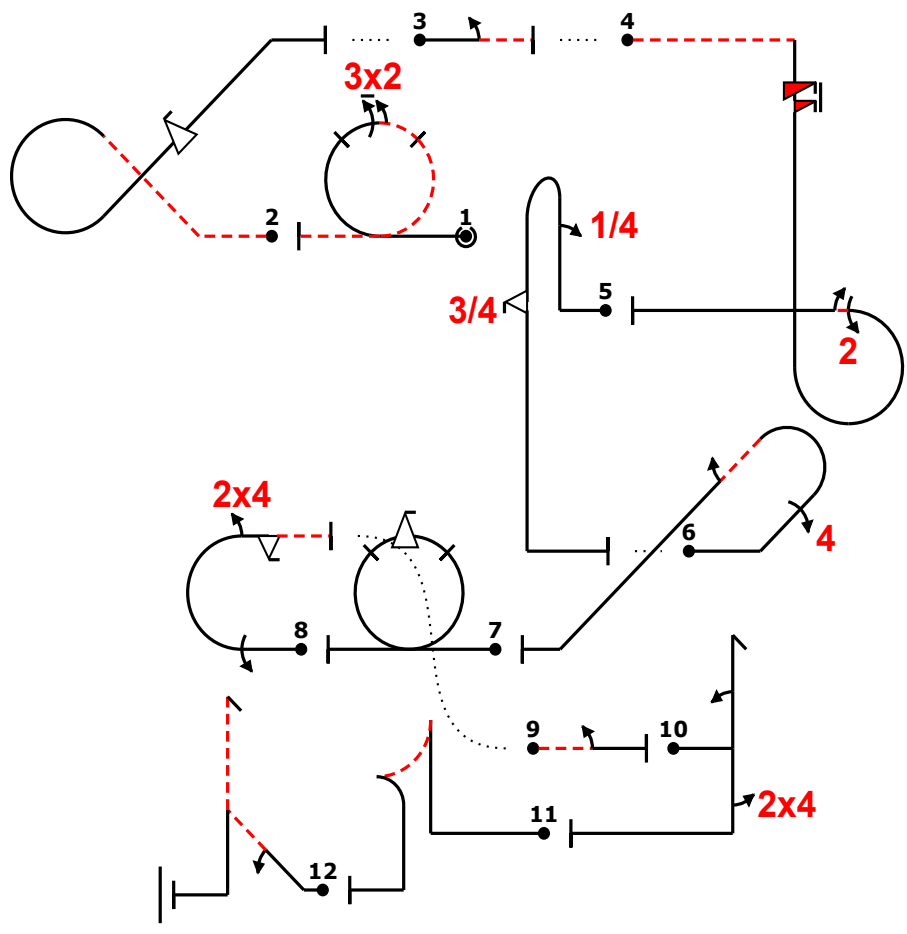


Fig	Grade	Pos	Remarks
1	.		
2	.		
3	.		
4	.		
5	.		
6	.		
7	.		
8	.		
9	.		
10	.		
11	.		
12	.		

Positioning **30** .

Too Low		Trg Violation	
Too High		Wing Rocks	
Interruptions		Disqual Fig	
Insertions		Other(note...)	

ed "eA" o32- "eB" --gf...' (3,0) "@L" 2- (3,0) "@C" ~~~~~6is...'irp22,2+++ "@I" ~~~~+,4b,3f.....' (2, 0) "@D" -3% ~~~~~+,44db,2.....' "eB" of "eF" 1m24,2f- (11,15) "@L" -2 "eJ" 2h24++++ "eH" ita~~~~+ ~~~~~ "eG" ~~~~~+2dh

Fig 1 A	K	Fig 2 B	K	Fig 3 L	K	Fig 4 C	K	Fig 5 I	K	Fig 6 D	K	Fig 7 E	K	Fig 8 F	K	Fig 9 L	K	Fig 10 J	K	Fig 11 H	K	Fig 12 G	K
7.4.2.1	12	7.3.1.2	14	1.1.1.3	2	8.6.2.4	12	8.4.1.1	13	8.4.14.1	12	7.4.1.1	10	7.2.1.1	6	1.1.1.4	2	5.2.1.1	17	6.2.2.1	15	5.3.2.1	24
9.2.3.6	12	9.9.2.4	13	9.1.3.2	4	9.12.1.6	5	9.1.1.1	6	9.4.2.4	13	9.9.3.4	11	9.1.3.4	8	9.1.3.2	4	9.1.1.2	8			9.1.2.2	6
	24		27		12	9.2.3.4	9	9.9.5.3	11	9.1.4.2	4			9.4.3.2	5			9.4.5.2	5				
						9.1.3.2	4							9.9.3.2	11								
							30		30		29		21		30		12		30		15		30

Pilot: Proq A

A/C:

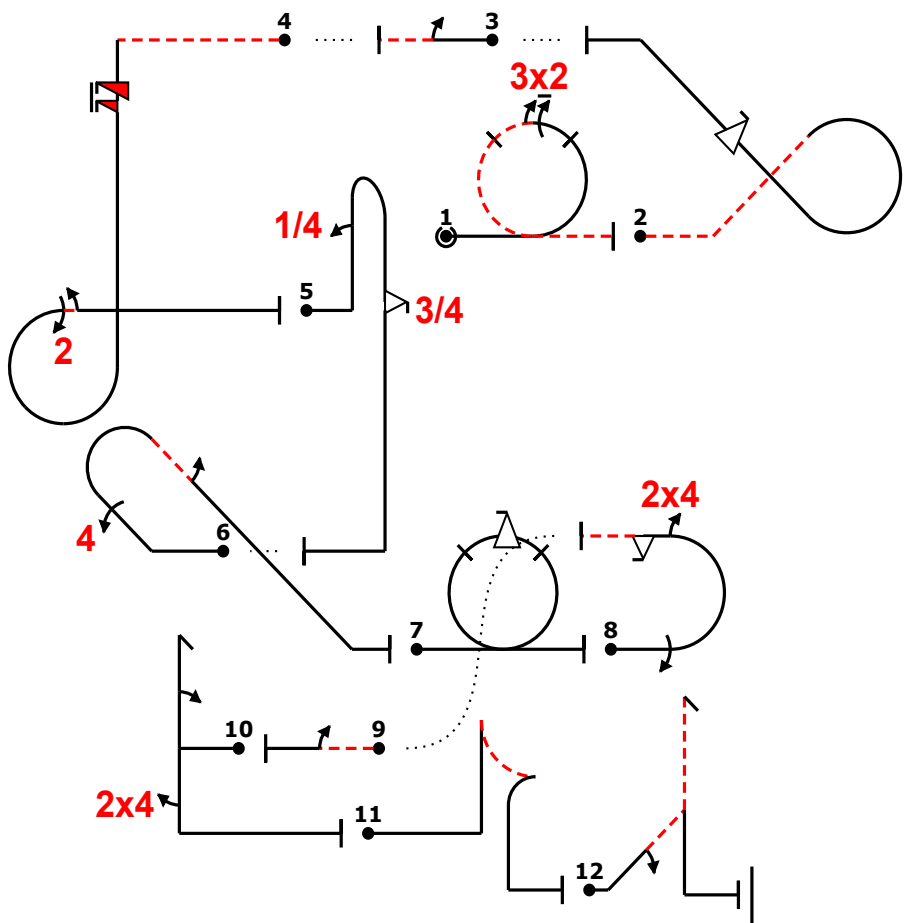
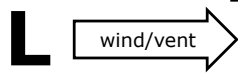


Fig	Grade	Pos	Remarks
1	.		
2	.		
3	.		
4	.		
5	.		
6	.		
7	.		
8	.		
9	.		
10	.		
11	.		
12	.		

Positioning **30**

Too Low		Trg Violation	
Too High		Wing Rocks	
Interruptions		Disqual Fig	
Insertions		Other(note...)	

ed "eA" o32- "eB" --gf...' (3,0) "eL" 2- (3,0) "eC" ~~~~\6is...irp22,2+++ "eI" ~~~~+,4b,3f....' (2, 0) "eD" -3% ~~~~+,44db,2.....' "eB" of "eF" lm24,2f- (11,15) "eL" -2 "eJ" 2h24++++ "eH" ita~~~~+ ~~~~ "eG" ~~~~+2dh

Fig 1 A	K	Fig 2 B	K	Fig 3 L	K	Fig 4 C	K	Fig 5 I	K	Fig 6 D	K	Fig 7 E	K	Fig 8 F	K	Fig 9 L	K	Fig 10 J	K	Fig 11 H	K	Fig 12 G	K
7.4.2.1	12	7.3.1.2	14	1.1.1.3	2	8.6.2.4	12	8.4.1.1	13	8.4.14.1	12	7.4.1.1	10	7.2.1.1	6	1.1.1.4	2	5.2.1.1	17	6.2.2.1	15	5.3.2.1	24
9.2.3.6	12	9.9.2.4	13	9.1.3.2	4	9.12.1.6	5	9.1.1.1	6	9.4.2.4	13	9.9.3.4	11	9.1.3.4	8	9.1.3.2	4	9.1.1.2	8			9.1.2.2	6
						9.2.3.4	9	9.9.5.3	11	9.1.4.2	4			9.4.3.2	5			9.4.5.2	5				
						9.1.3.2	4							9.9.3.2	11								
	<b>24</b>		<b>27</b>		<b>12</b>		<b>30</b>		<b>30</b>		<b>29</b>		<b>21</b>		<b>30</b>		<b>12</b>		<b>30</b>		<b>15</b>		<b>30</b>

Pilot: **Proq A**

A/C:

