



HSAC 2022 - H2 01.08.2022		Form A
Pilot ID	SAA Sportsman Unknown 1	
		Flight #

No	Symbol	Cat. No.	K	Total K	Grade	Pos	Remarks	Item	K	Grade
1		1.1.2.1 9.1.2.4	7 10	17	.			Pos.	20	
2		1.1.6.3 9.11.1.7	10 3	13	.			Fig K	179	Total K 199
3		5.2.1.1 9.1.1.1	17 6	23	.			Penalties		
4		7.4.1.1	10	10	.			Too Low		
5		1.2.7.1 9.4.4.2	13 5	18	.			Too High		
6		8.4.15.1 9.8.2.2	12 9	21	.			Interruptions		
7		8.4.1.1 9.8.1.1 9.1.5.1	13 7 2	22	.			Insertions		
8		5.3.1.1	18	18	.			Trg Violation		
9		7.8.8.1 9.4.2.2 9.1.2.2	19 7 6	32	.			Wing Rocks		
10		2.3.1.1	5	5	.			Disqual Fig		

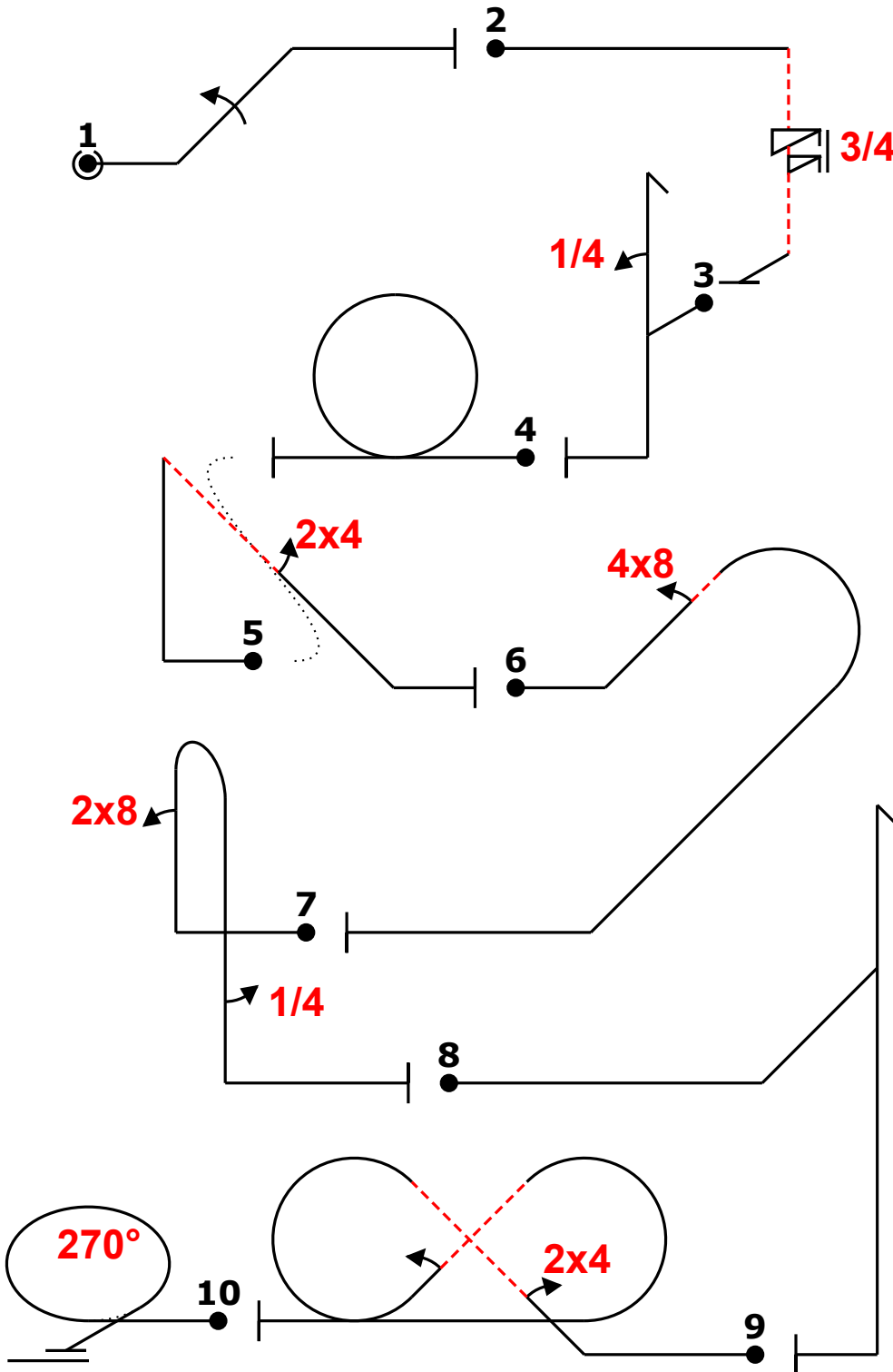
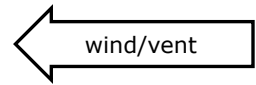
Final Freestyle		
Duration	Min	Sec
Judges Details		
Signature		
Name		
Number		

Pilot

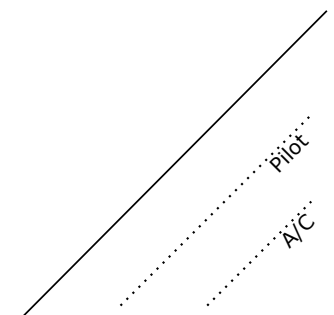
A/C



HSAC 2022 - H2 01.08.2022		Form B
Pilot ID	SAA Sportsman Unknown 1	Flight #



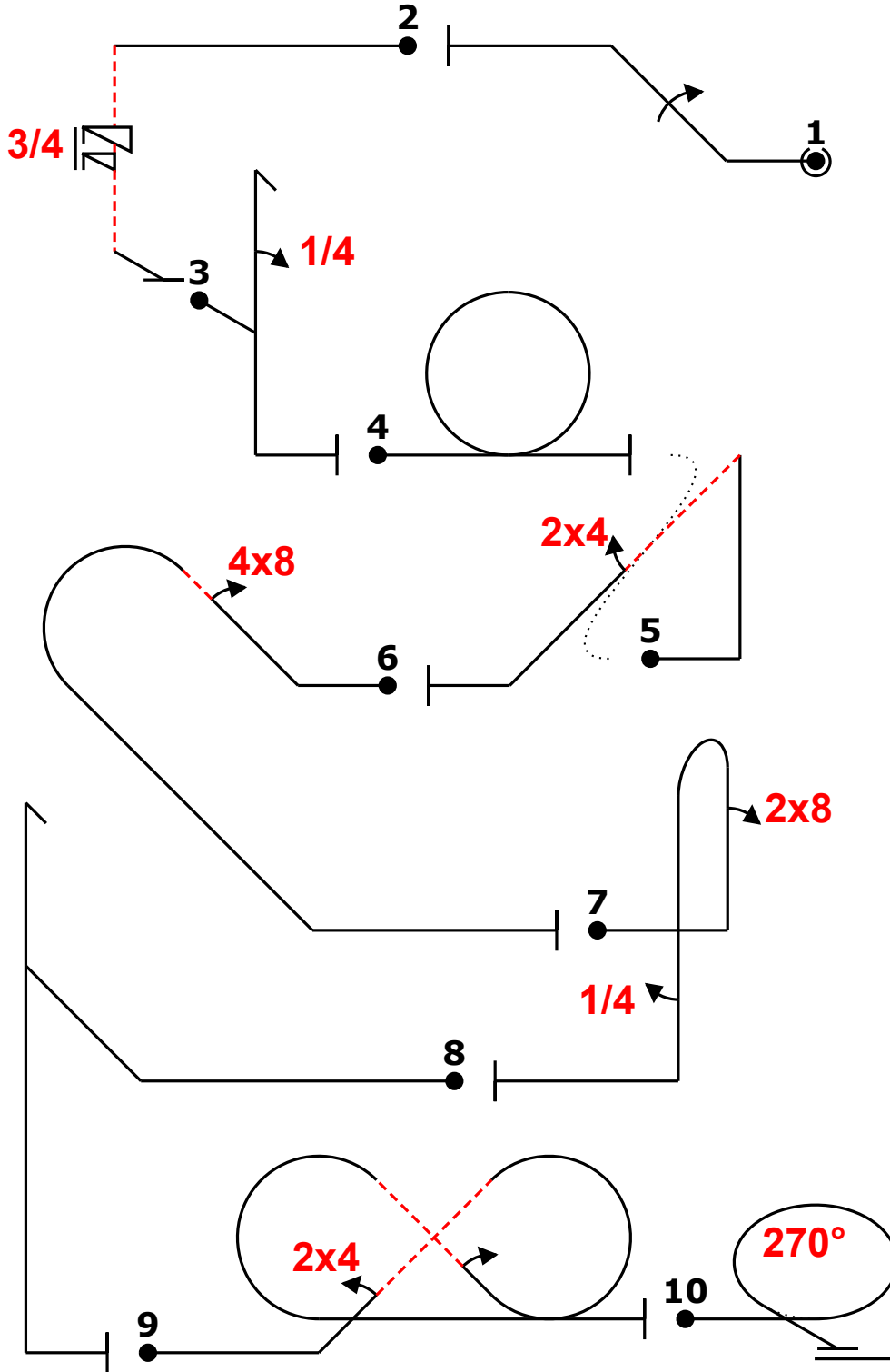
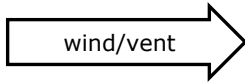
Power			
Fig	Aresti	K	
1	1.1.2.1 9.1.2.4	7 10	17
2	1.1.6.3 9.11.1.7	10 3	13
3	5.2.1.1 9.1.1.1	17 6	23
4	7.4.1.1	10	10
5	1.2.7.1 9.4.4.2	13 5	18
6	8.4.15.1 9.8.2.2	12 9	21
7	8.4.1.1 9.8.1.1 9.1.5.1	13 7 2	22
8	5.3.1.1	18	18
9	7.8.8.1 9.4.2.2 9.1.2.2	19 7 6	32
10	2.3.1.1	5	5
Total K = 179			



d1+- -+++iv7s 4h o (3,10) k24 48rdb... /8b.'4+ -+++dh....' ,24roc(2) /3j



HSAC 2022 - H2 01.08.2022		Form C
Pilot ID	SAA Sportsman Unknown 1	
	Flight #	



d1+- -+++iv7s 4h o (3,10) k24 48rdb... /8b.'4+ -++dh....' ,24roc(2) /3j

