



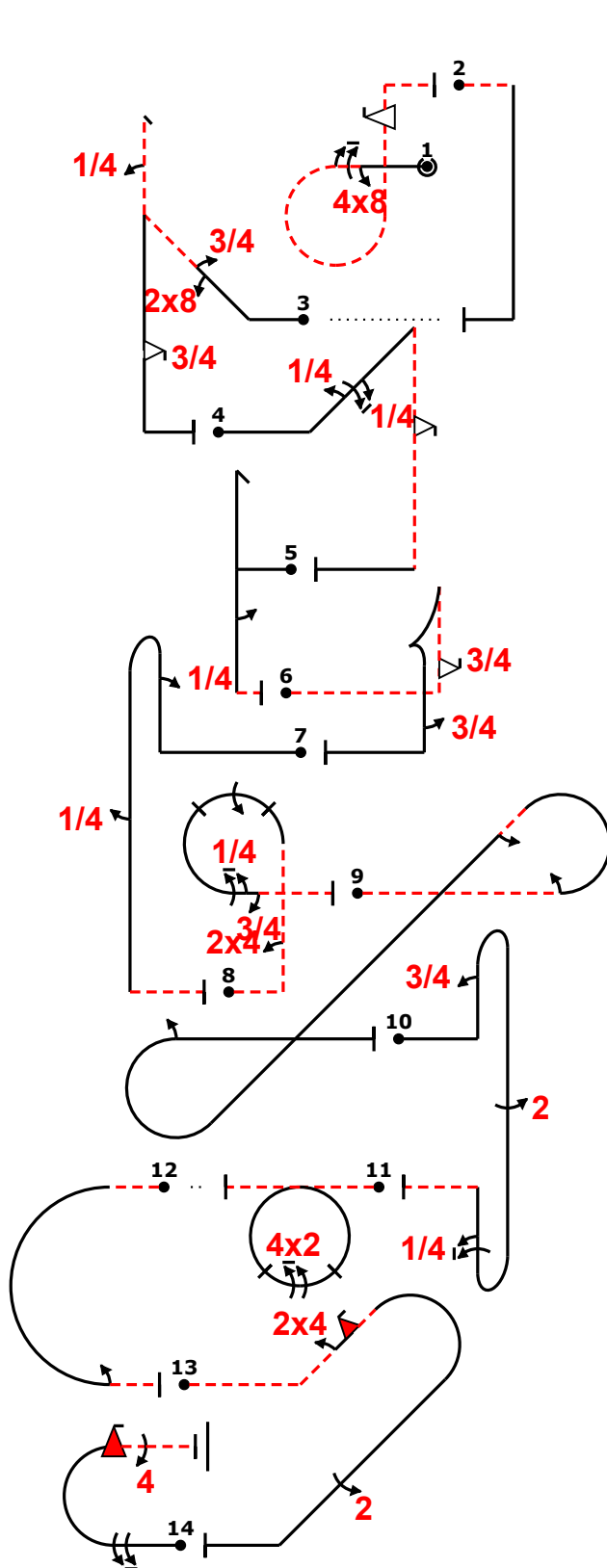
HSAC - H2 2022 01.08.2022		Form A
Pilot ID	CIVA Unlimited Programme2	Flight #

No	Symbol	Cat. No.	K	Total K	Grade	Pos	Remarks	Item	K	Grade
1		8.6.6.3 9.8.3.2 9.1.3.6 9.9.6.4	15 7 10 17	Fig E 49	.			Pos.	40	
2		1.1.7.4	9	additional 6	.			Harm.	0	
3		5.3.2.1 9.8.2.1 9.1.2.3 9.1.1.1 9.9.5.3	24 5 8 6 11	Fig B 54	.			Fig K	440	Total K 480
4		1.2.1.1 9.1.2.1 9.1.2.5 9.9.10.2	13 4 11 13	Fig F 41	.			Penalties		
5		5.2.1.3 9.1.5.2	18 4	Fig I 22	.			Too Low		
6		6.2.1.4 9.9.6.3 9.1.5.3	17 17 6	Fig A 40	.			Too High		
7		8.4.2.1 9.1.1.1 9.1.5.1	14 6 2	additional 6	.			Interruptions		
8		8.6.4.2 9.4.1.2 9.1.3.4 9.1.3.5 9.1.3.3	13 9 8 9 6	Fig C 45	.			Insertions		
9		7.5.8.2 9.1.3.2 9.1.4.2 9.1.3.2	15 4 4 4	additional 6	.			Trg Violation		
10		8.8.1.1 9.1.1.3 9.2.5.4 9.1.1.5	18 10 9 14	Fig J 51	.			Wing Rocks		
11		7.4.1.4 9.2.3.8	11 15	Fig D 26	.			Disqual Fig		
12		7.2.2.4 9.1.3.2	7 4	additional 6	.			Other(note...)		
13		8.4.17.2 9.4.2.2 9.10.7.2 9.2.4.4	11 7 17 9	Fig G 44	.			Final Freestyle		
14		7.2.1.1 9.1.3.8 9.10.8.4 9.4.3.4	6 12 15 11	Fig H 44	.			Duration	Min	Sec
								Judges Details		
								Signature		
								Name		
								Number		

_____ Pilot
 A/C

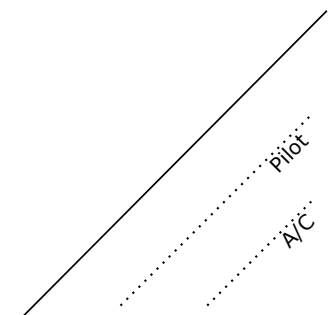


HSAC - H2 2022 01.08.2022		Form B
Pilot ID	CIVA Unlimited Programme2	
		Flight #



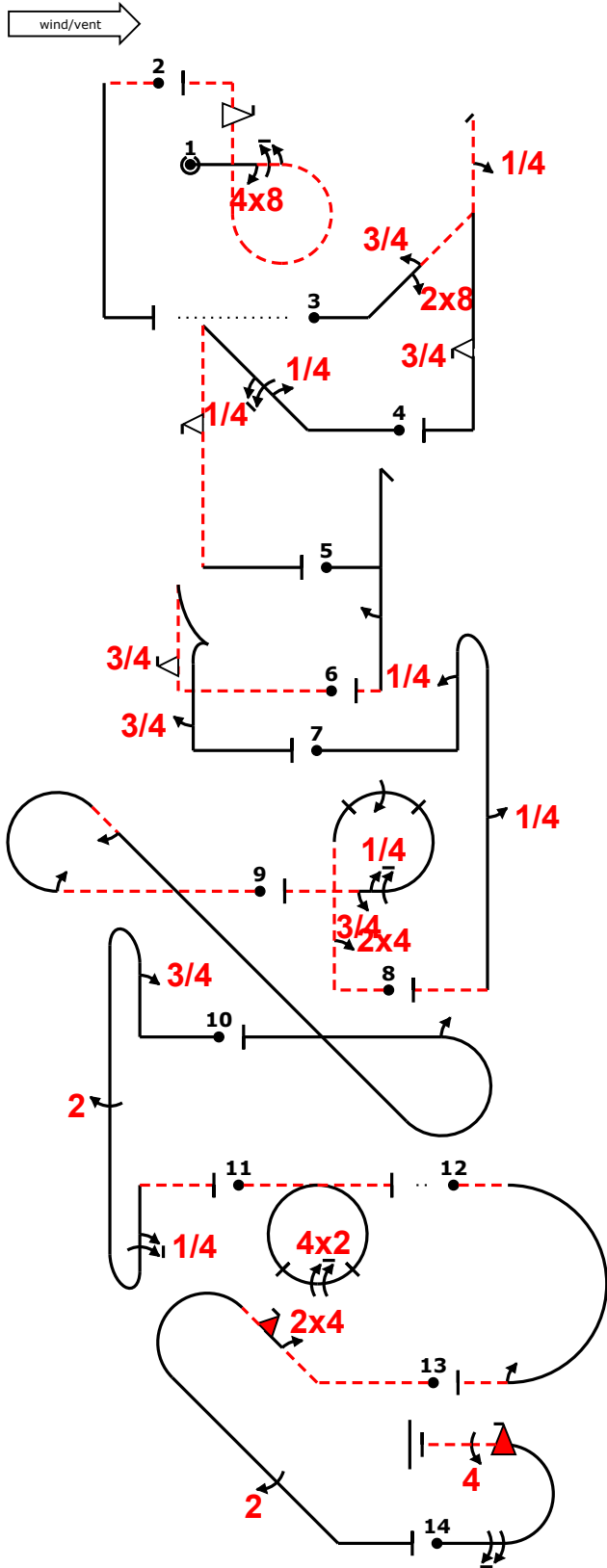
Power			
Fig	Aresti	K	
1 E	8.6.6.3	15	49
	9.8.3.2	7	
	9.1.3.6	10	
	9.9.6.4	17	
2	1.1.7.4	9	6
3 B	5.3.2.1	24	54
	9.8.2.1	5	
	9.1.2.3	8	
	9.1.1.1	6	
	9.9.5.3	11	
4 F	1.2.1.1	13	41
	9.1.2.1	4	
	9.1.2.5	11	
	9.9.10.2	13	
5 I	5.2.1.3	18	22
	9.1.5.2	4	
6 A	6.2.1.4	17	40
	9.9.6.3	17	
	9.1.5.3	6	
7 Add.	8.4.2.1	14	6
	9.1.1.1	6	
	9.1.5.1	2	
8 C	8.6.4.2	13	45
	9.4.1.2	9	
	9.1.3.4	8	
	9.1.3.5	9	
	9.1.3.3	6	
9 Add.	7.5.8.2	15	6
	9.1.3.2	4	
	9.1.4.2	4	
	9.1.3.2	4	
10 J	8.8.1.1	18	51
	9.1.1.3	10	
	9.2.5.4	9	
	9.1.1.5	14	
11 D	7.4.1.4	11	26
	9.2.3.8	15	
12 Add.	7.2.2.4	7	6
	9.1.3.2	4	
13 G	8.4.17.2	11	44
	9.4.2.2	7	
	9.10.7.2	17	
	9.2.4.4	9	
14 H	7.2.1.1	6	44
	9.1.3.8	12	
	9.10.8.4	15	
	9.4.3.4	11	
Total K = 440			

ed "EB" 48,6ipf- "EL" -iv... (-9,0) "EB" '8,3'dh(4)..3f.. "EP" +4,5't..2f..'+"EI" h2.. "EA" ---,3fta"3 "EL" --+,4b...4...- "EC" -24rp(1)5,3- "EL" -2ac(2.....)2 "EJ" 3bb(.22..)'5- "ED" -io42- (-1,0) 108 "EL" ---a2-- "EC" ----'24;2ifrdb..22..'+" "EB" 9mif,44-





HSAC - H2 2022 01.08.2022		Form C
Pilot ID	CIVA Unlimited Programme2	Flight #



ed "0B" ~48,6ipf- "0L" -iv... (-9,0) "0B" '8,3' dh(4)... '3f.' "0P" +4,5't.' '2f.' +- "0I" h2.' ~ "0A" ---,3fta^3 "0L" -
 --,4b...4...- "0C" -24rp(1)5,3- "0L" -2ac(2.....)2 "0J" 3bb(.22...)5- "0B" -io42- (-1,0) 108 "0L" ---a2- "0C" ---
 ^24;2ifrdB..22.' + "0B" 9mif,44-

