



HSAC - H2 2022 01.08.2022		Form A
Pilot ID	SAA Intermediate Unknown 1	Flight #

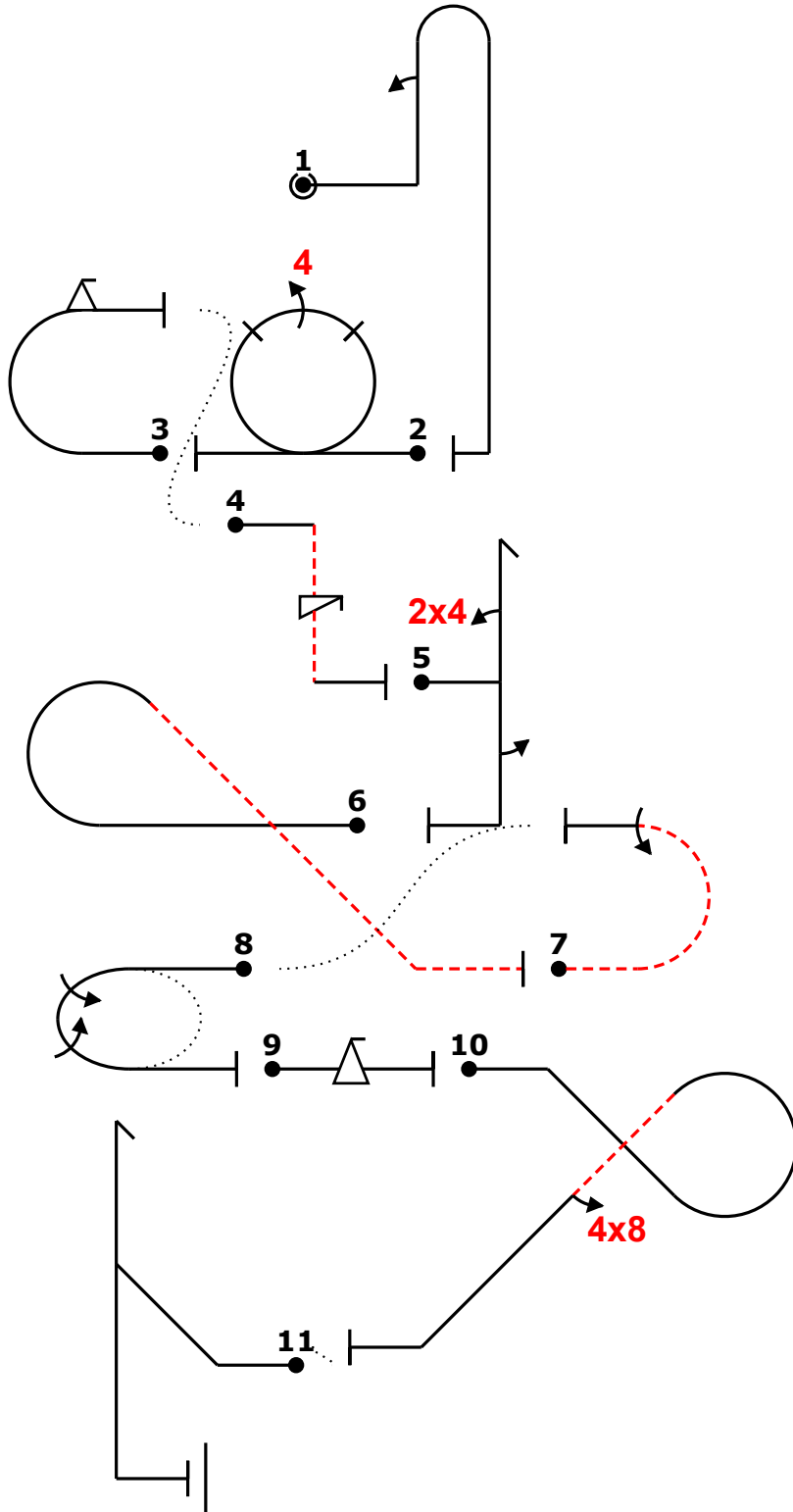
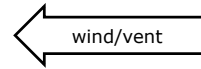
No	Symbol	Cat. No.	K	Total K	Grade	Pos	Remarks	Item	K	Grade
1		8.4.1.1 9.1.1.2	13 8	21	.			Pos.	25	
2		7.4.1.1 9.4.3.4	10 11	21	.			Fig K	204	Total K 229
3		7.2.2.1 9.9.3.2	6 11	17	.			Penalties		
4		1.1.6.3 9.11.1.4	10 5	15	.			Too Low		
5		5.2.1.1 9.4.1.2 9.1.5.2	17 9 4	30	.			Too High		
6		8.5.5.1	10	10	.			Interruptions		
7		7.2.1.2 9.1.3.4	8 8	16	.			Insertions		
8		2.2.5.1	22	22	.			Trg Violation		
9		1.1.1.1 9.9.3.4	2 11	13	.			Wing Rocks		
10		7.3.3.3 9.8.4.2	14 7	21	.			Disqual Fig		
11		5.3.1.1	18	18	.			Other(note...)		

Final Freestyle		
Duration	Min	Sec
Judges Details		
Signature		
Name		
Number		

_____ Pilot
 A/C

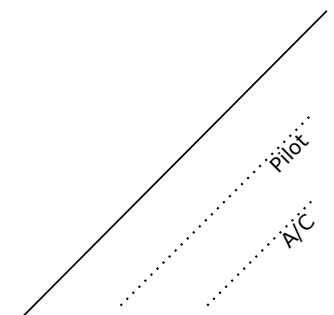


HSAC - H2 2022 01.08.2022		Form B
Pilot ID	SAA Intermediate Unknown 1	Flight #



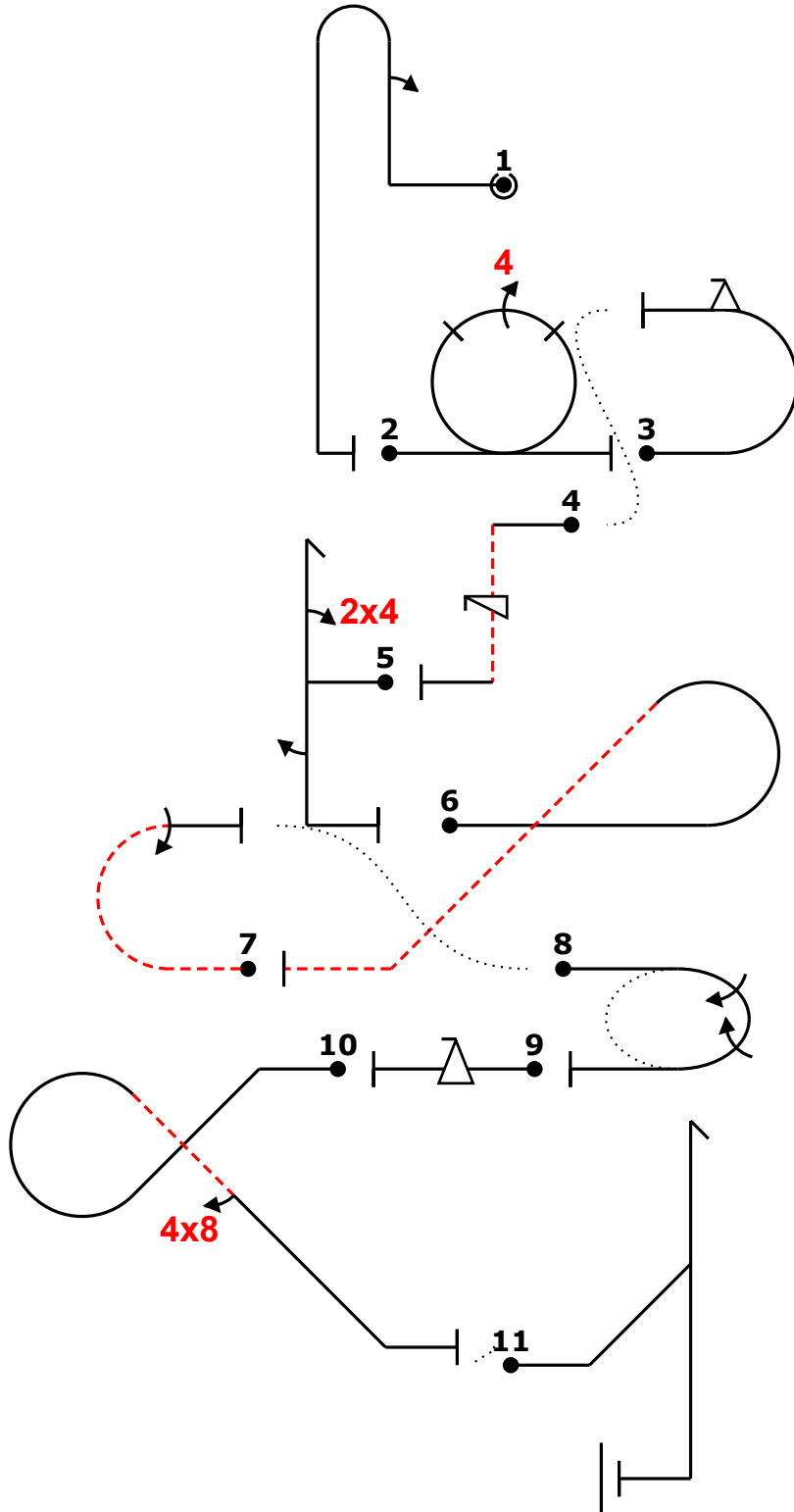
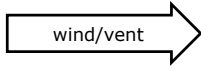
Power			
Fig	Aresti	K	
1	8.4.1.1 9.1.1.2	13 8	21
2	7.4.1.1 9.4.3.4	10 11	21
3	7.2.2.1 9.9.3.2	6 11	17
4	1.1.6.3 9.11.1.4	10 5	15
5	5.2.1.1 9.4.1.2 9.1.5.2	17 9 4	30
6	8.5.5.1	10	10
7	7.2.1.2 9.1.3.4	8 8	16
8	2.2.5.1	22	22
9	1.1.1.1 9.9.3.4	2 11	13
10	7.3.3.3 9.8.4.2	14 7	21
11	5.3.1.1	18	18
Total K = 204			

2b.....'+'''' o44 m2f (0,12) ivs 24h2'' (0,0) c...-- -m1 (-14,8) 2j2 f ig48...' (1,1) dh..





HSAC - H2 2022 01.08.2022		Form C
Pilot ID	SAA Intermediate Unknown 1	Flight #



2b....'+^... o44 m2f (0,12) ivs 24h2'' (0,0) c...-- -m1 (-14,8) 2j2 f ig48...' (1,1) dh..

