



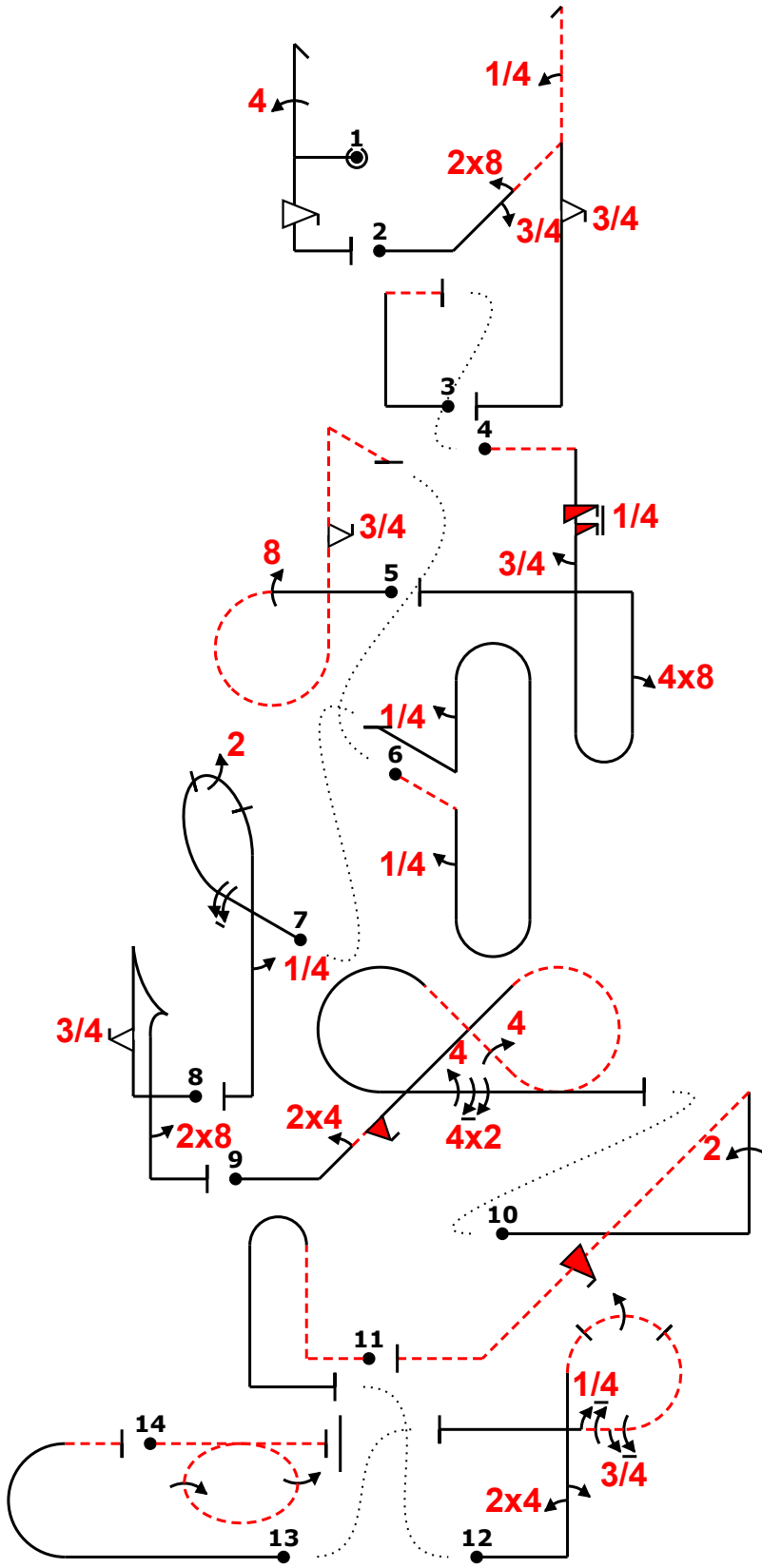
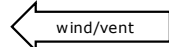
Pilot ID		CIVA Unlimited Programme2		Form A
				Flight #

No	Symbol	Cat. No.	K	Total K	Grade	Pos	Remarks	Item	K	Grade
1		5.2.1.1 9.4.1.4 9.9.5.4	17 15 11	Fig B 43	.			Pos.	40	
2		5.3.2.1 9.1.2.3 9.8.2.1 9.1.1.1 9.9.5.3	24 8 5 6 11	Fig C 54	.			Harm.	0	
3		1.1.7.1	9	additional 6	.			Fig K	499	Total K 539
4		8.4.2.4 9.12.1.5 9.1.5.3 9.8.1.2	14 6 6 11	Fig H 37	.			<b>Penalties</b>		
5		8.6.6.3 9.8.3.4 9.9.6.3	15 15 17	Fig A 47	.			Too Low		
6		8.8.1.4 9.1.5.1 9.1.5.1	18 2 2	additional 6	.			Too High		
7		8.6.5.1 9.1.3.8 9.2.3.4 9.1.5.1	11 12 9 2	Fig G 34	.			Interruptions		
8		6.2.1.1 9.9.1.3 9.8.5.1	15 15 3	Fig F 33	.			Insertions		
9		7.8.5.1 9.4.2.2 9.10.2.2 9.4.2.4 9.4.3.4 9.2.3.8	20 7 15 13 11 15	Fig D 81	.			Trg Violation		
10		1.2.5.1 9.2.1.4 9.10.4.4	14 13 13	Fig E 40	.			Wing Rocks		
11		8.4.4.2	14	additional 6	.			Disqual Fig		
12		8.6.4.1 9.4.1.2 9.1.1.2 9.1.3.4 9.1.3.7 9.1.3.5	14 9 8 8 11 9	Fig I 59	.			Other(note...)		
13		7.2.1.1	6	additional 6	.			<b>Final Freestyle</b>		
14		2.4.4.4	47	Fig J 47	.			Duration	Min	Sec
								<b>Judges Details</b>		
								Signature		
								Name		
								Number		

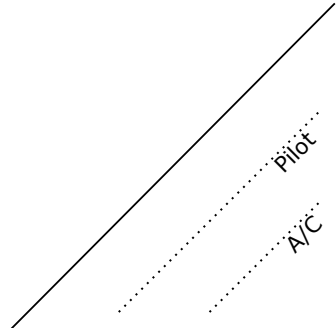
/ Pilot  
 ..... A/C



		Form B
Pilot ID	CIVA Unlimited Programme2	
	Flight #	



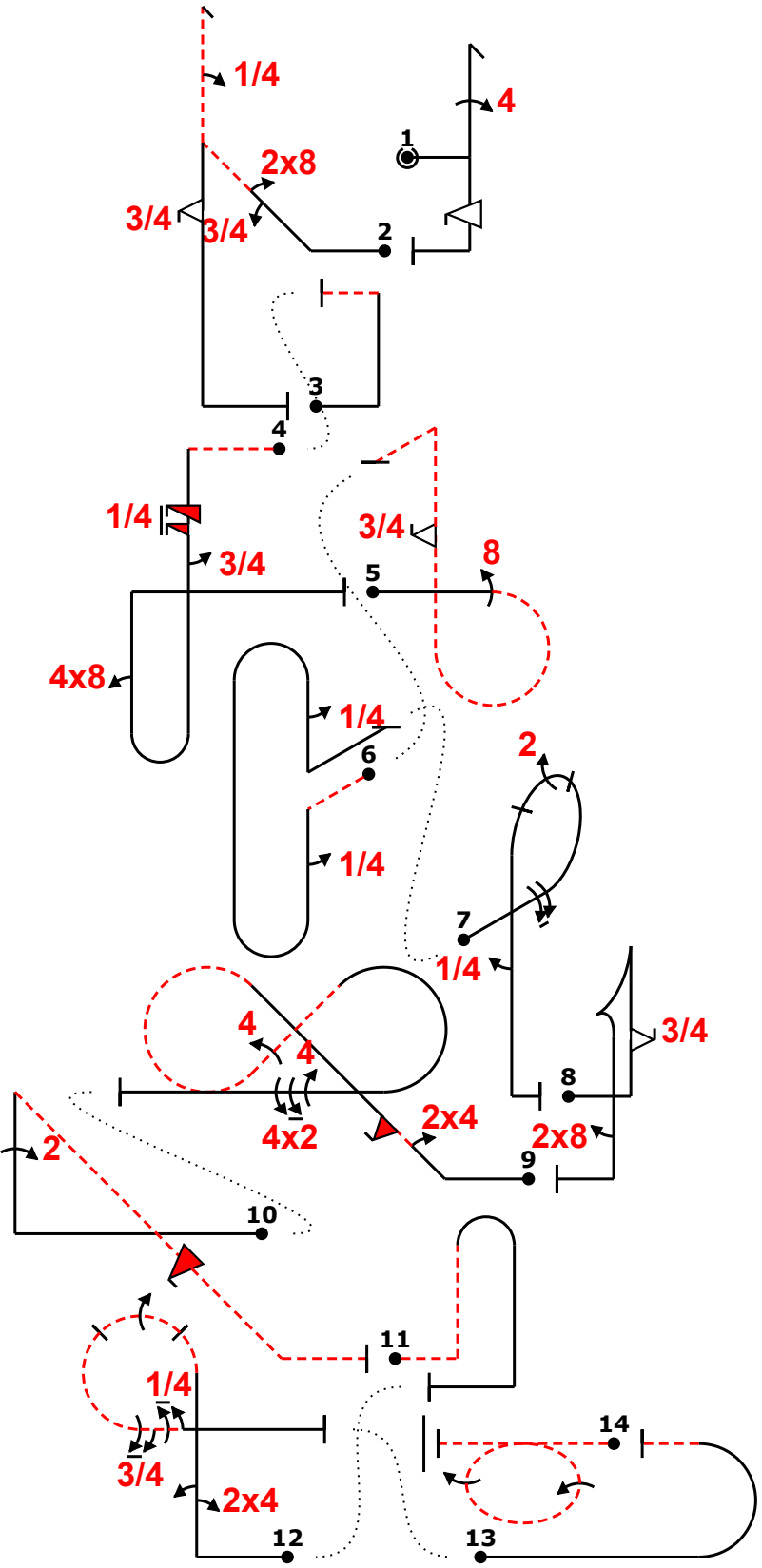
ed "@B" /44hf 2% "eC",3,8dh(4)3E... "@L" v- (-1,11) "@H" ~'5is,3...'ib'',48''+++ "@A" ,88ip,3f.'-- (-3,20) "@L" 3% '-'',4''i  
 bb('),4'~ (-2,17) "@G" 9p(22)4..'+'> "@E" ~''+'3fta'8'+'''' 1% "@D" ~''+'24,2if.'rcc(,44)..'44,42+''''' (-14,10) "@E" ~++++2  
 2k...if'--- "@L" ~-b (6,12) "@I" ~24,2rp(1)7,5+- (-7,9) "@L" ...'m= "@J" -4joi2-





		Form C
Pilot ID	CIVA Unlimited Programme2	
	Flight #	

wind/vent →



ed "@B" /44hf 2% "eC" ,3,8dh(4)3E...~ "@L" v- (-1,11) "@H" -"5is,3... 'ib' ,48'+++ "@A" ,88ip,3f.'-- (-3,20) "@L" 3% '-',4'i  
 bb('),4'~ (-2,17) "@G" 9p(22)4..+'> "@E" '""+'3fta'8'+"" 1% "@D" ""'+24,2if.'rcc(,44)..'44,42+'"" (-14,10) "@E" ~++++2  
 2k...if'--- "@L" '-b (6,12) "@I" ~24,2rp(1)7,5+- (-7,9) "@L" ...'m= "@J" -4joi2-

